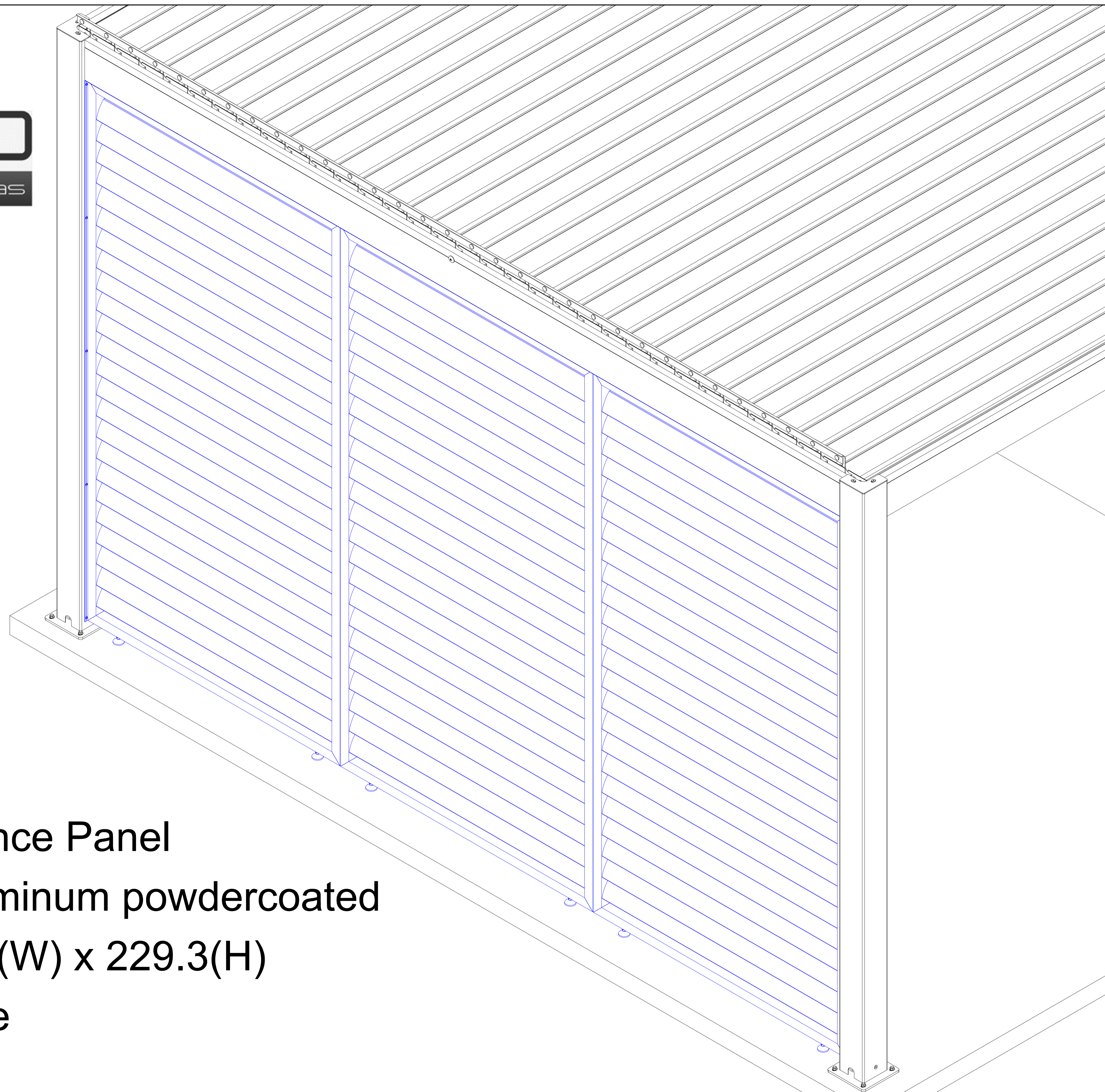


**REMANSO**  
luxury aluminium pergolas



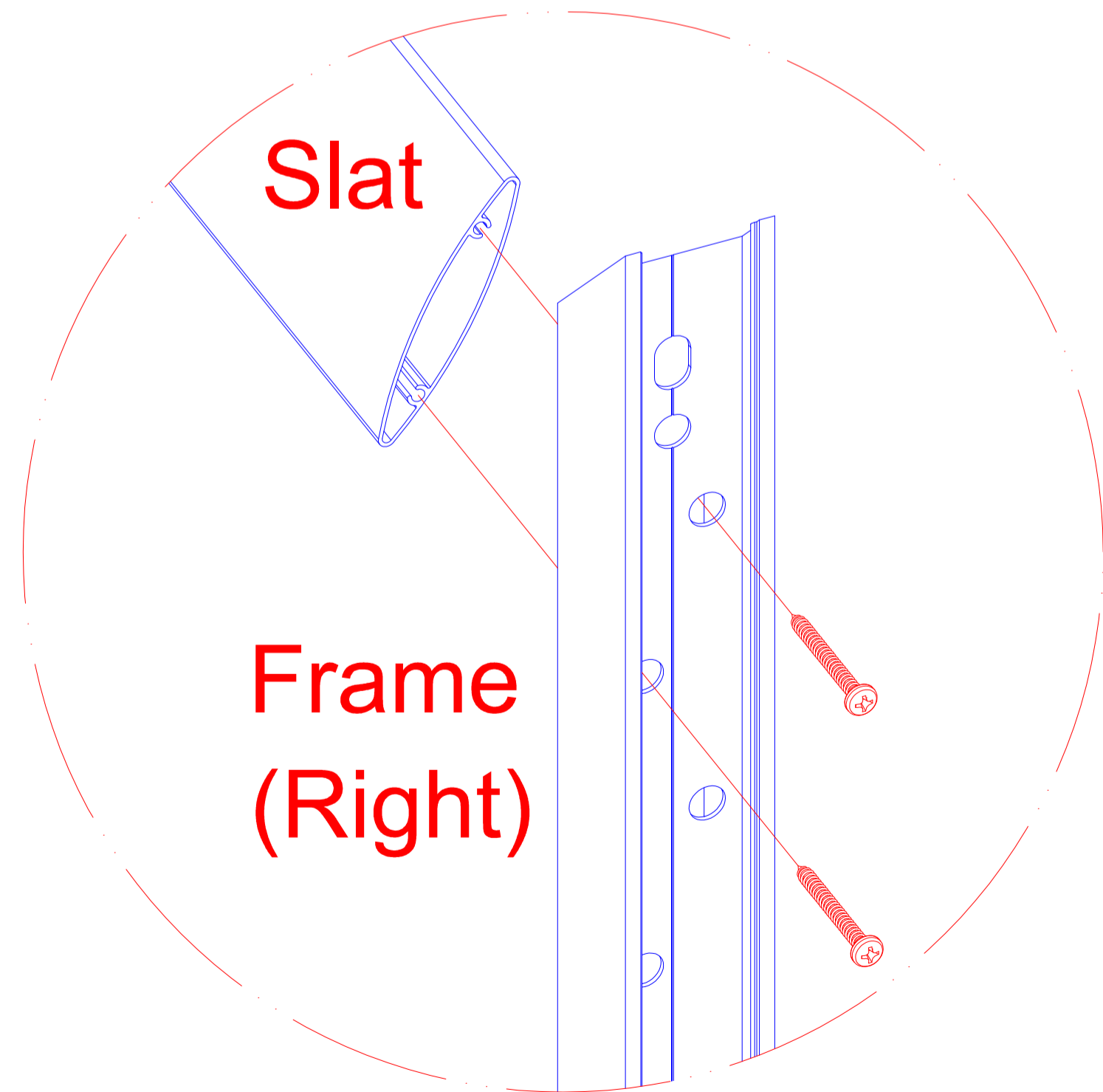
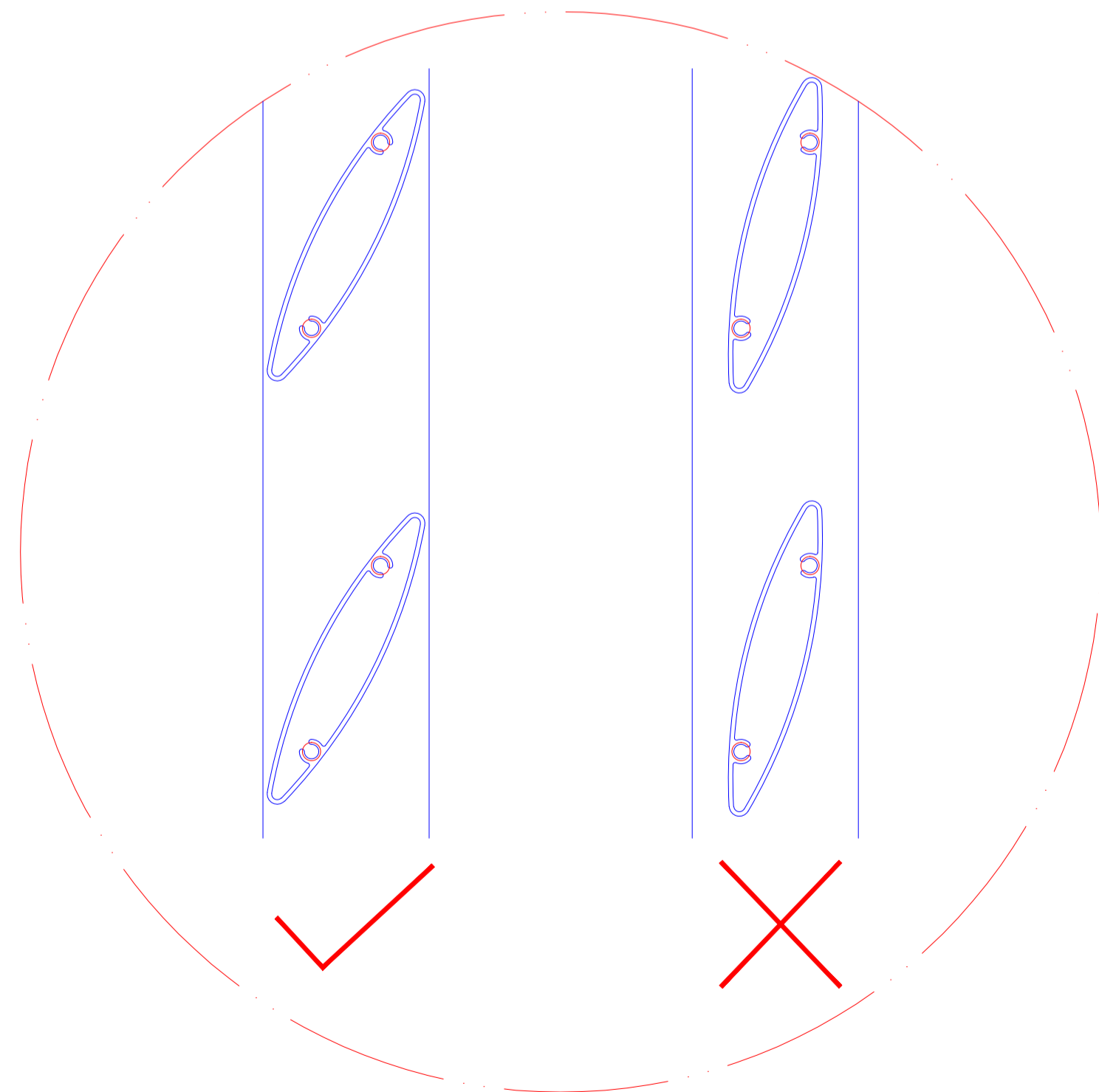
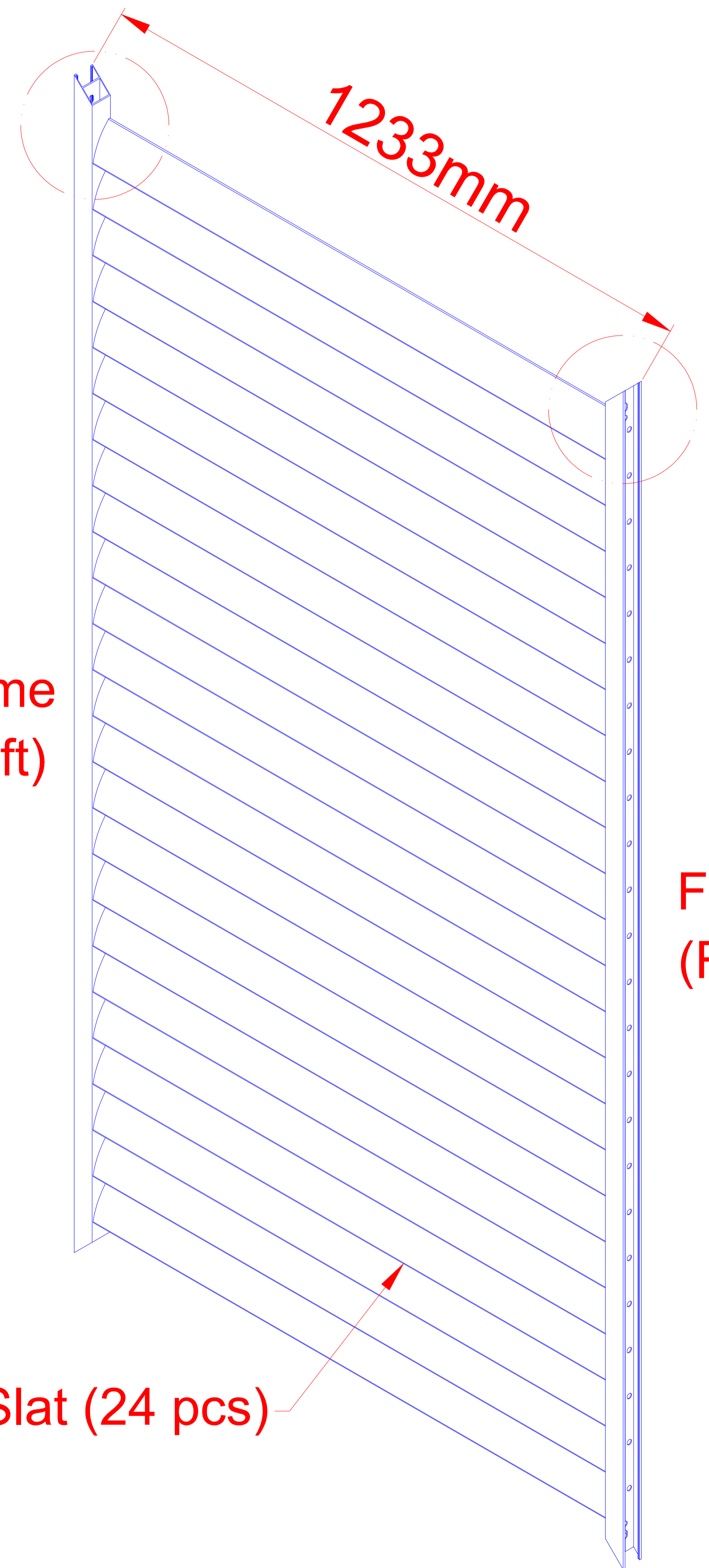
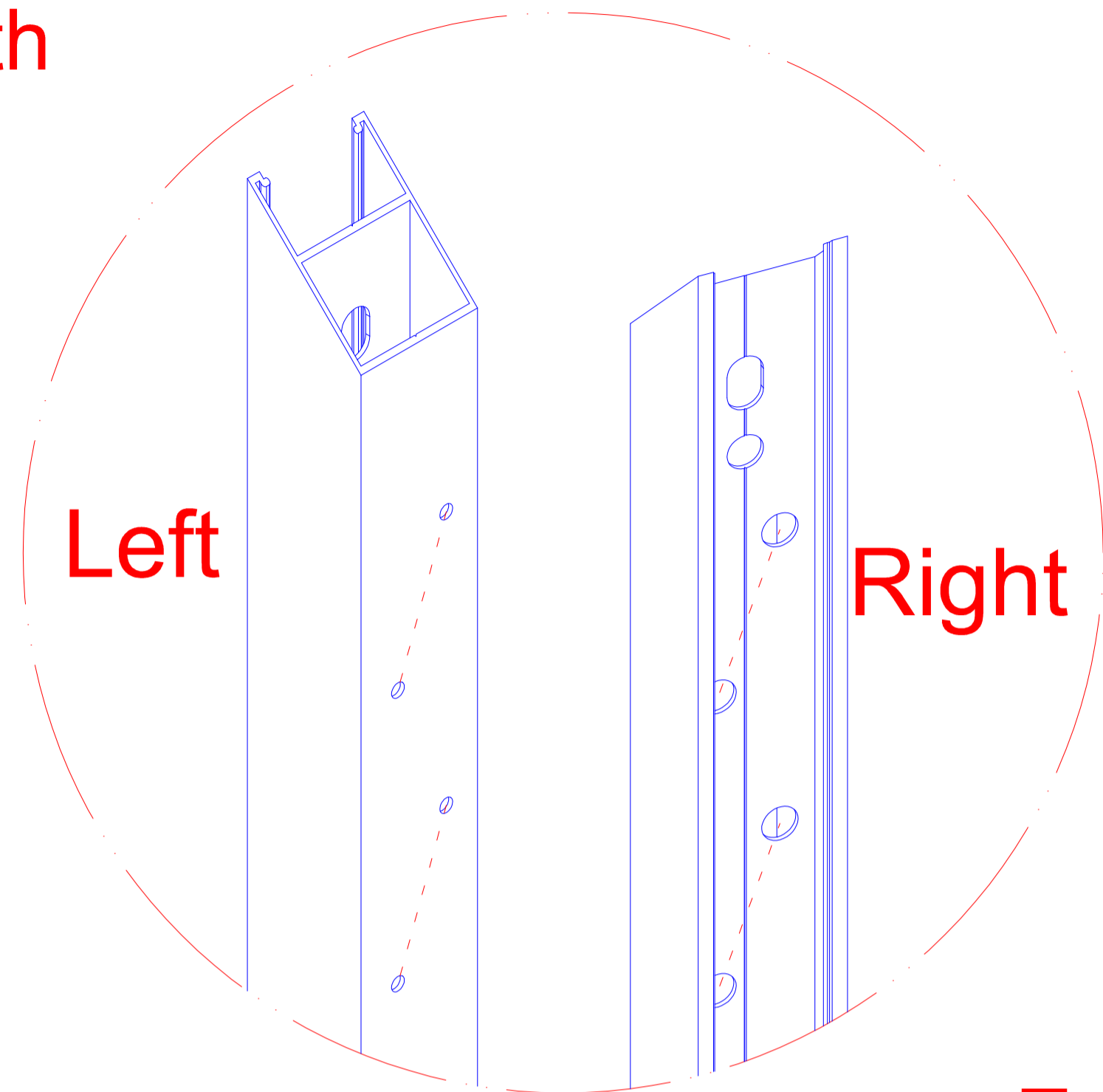
Fixed Shutter Fence Panel

Colour : gray aluminum powdercoated

Size.(cm) : 123.3(W) x 229.3(H)

For 4 Meters Side

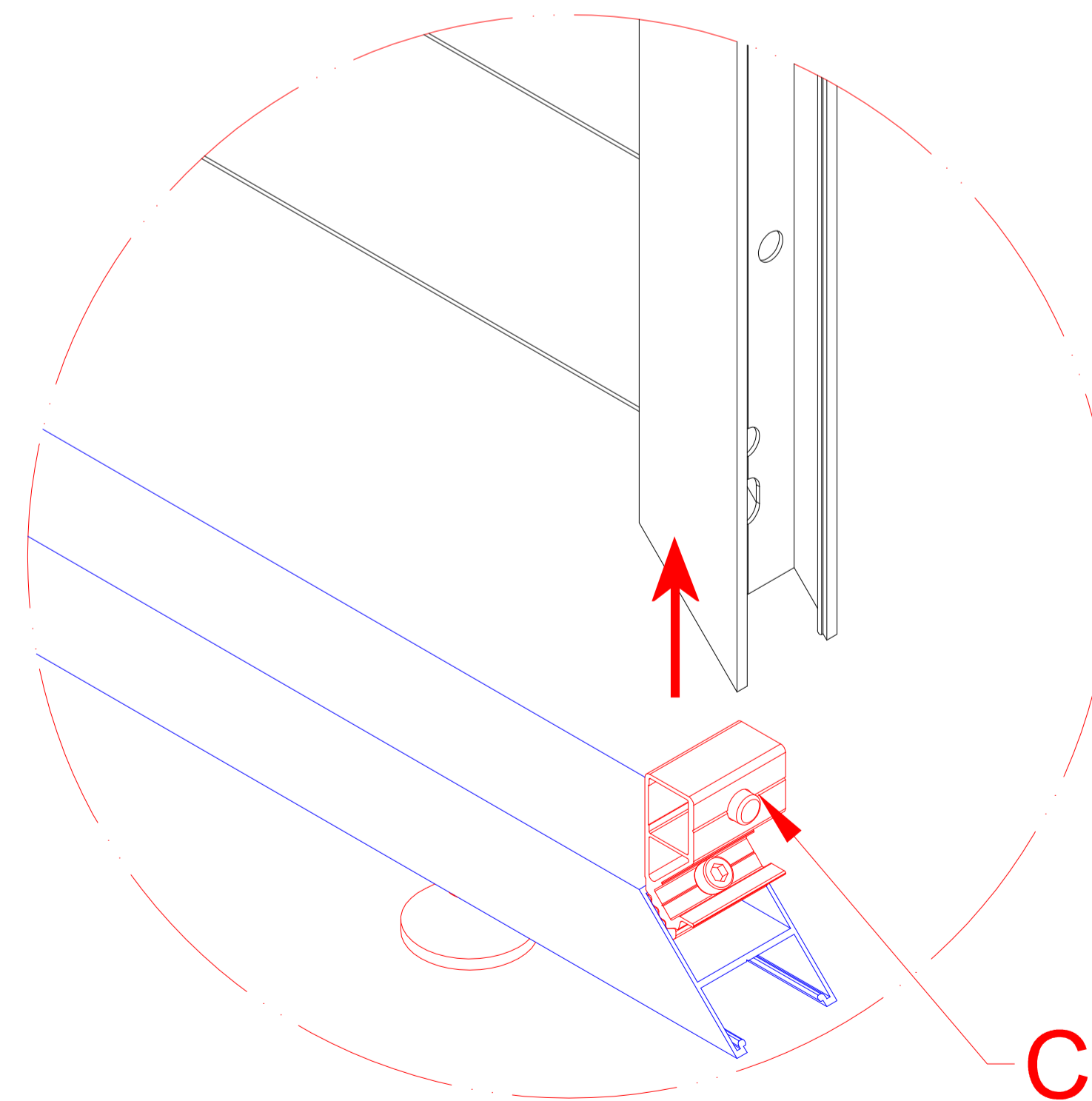
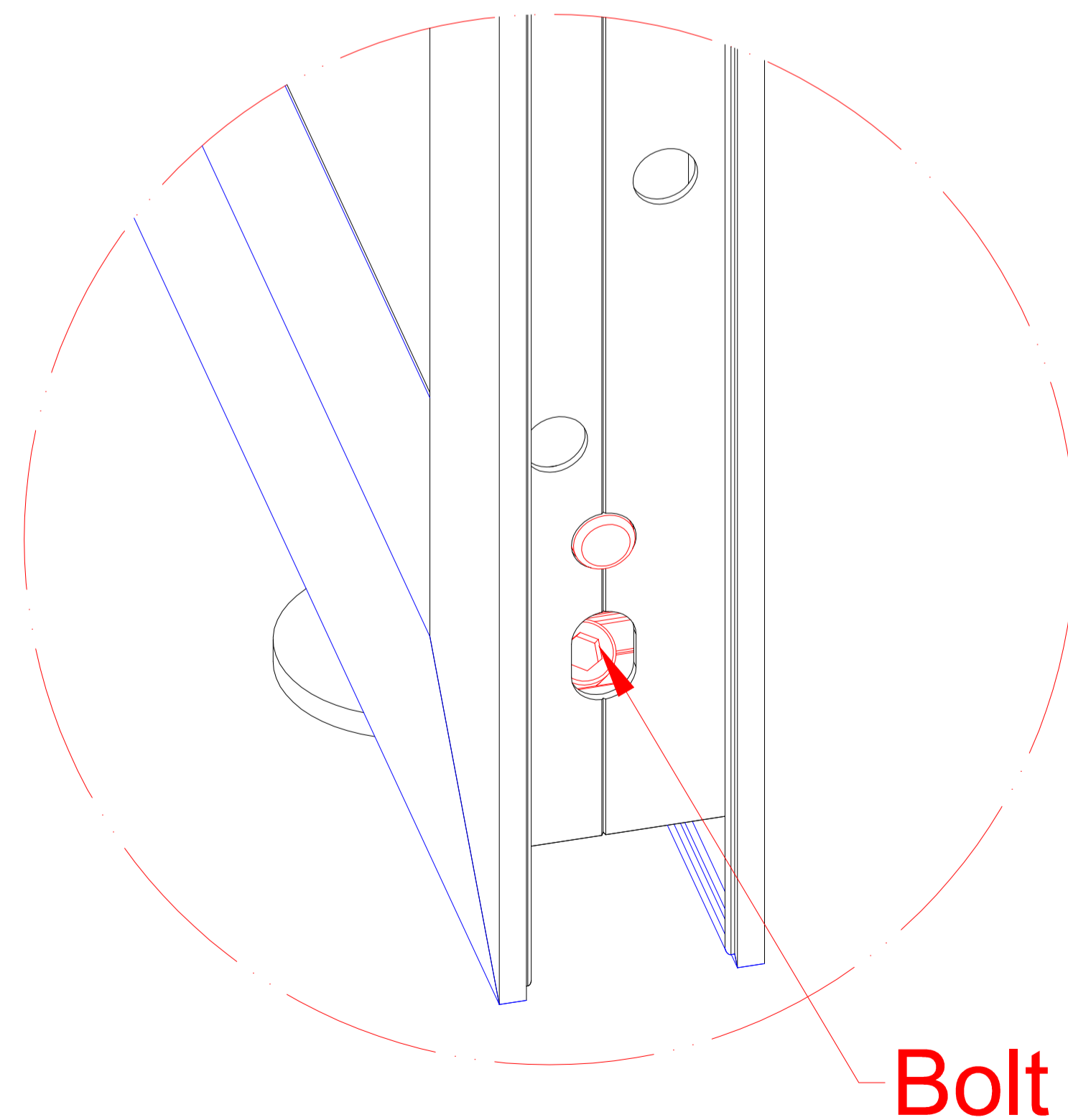
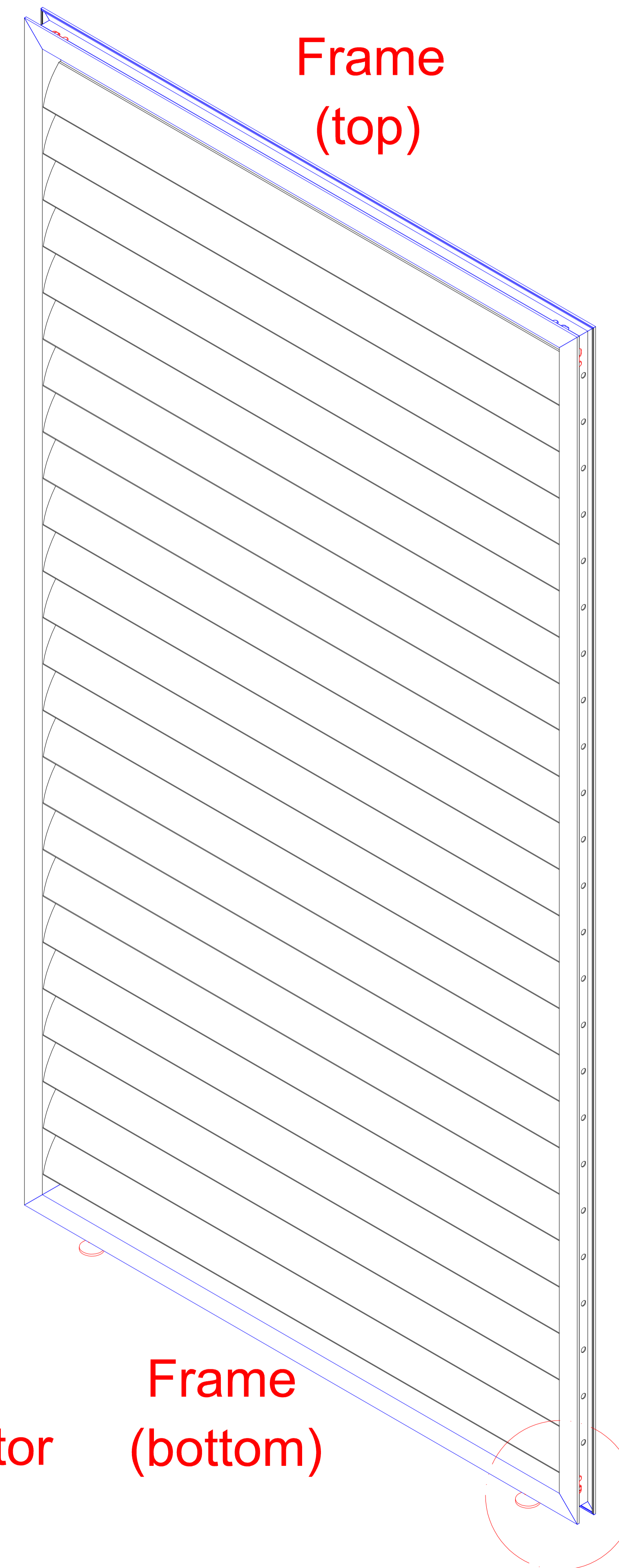
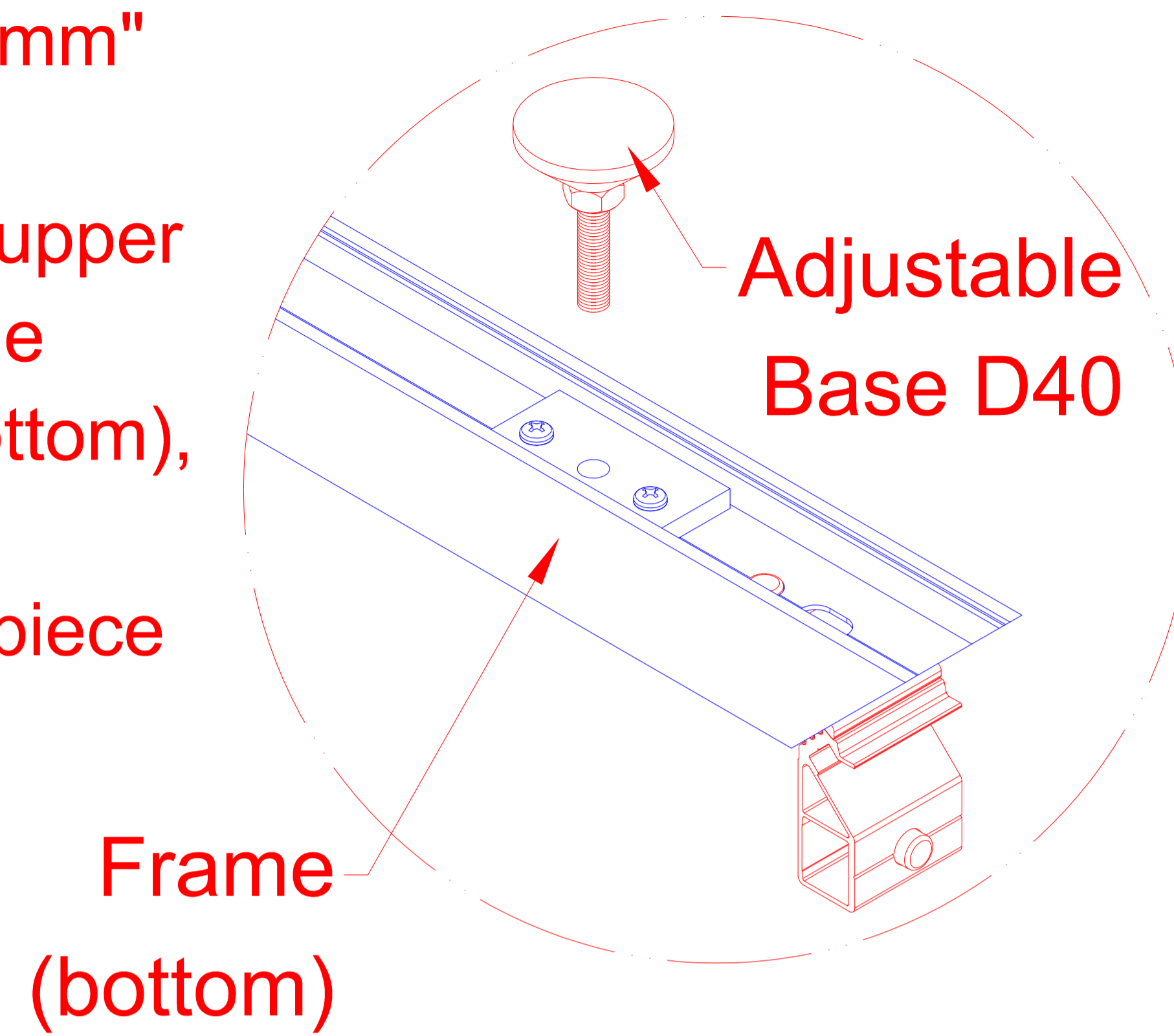
1. As shown, distinguish the left and right of the frame, then fix the louvers with "4.2\*40mm self-tapping screws.



2. As shown, place the "Adjustable Base D40 with Screw M8\*50mm" fixed on the bottom frame.

3. Insert the connectors of the upper and lower frames, aligning the frames (top, left, right and bottom), tighten it by unscrewing.

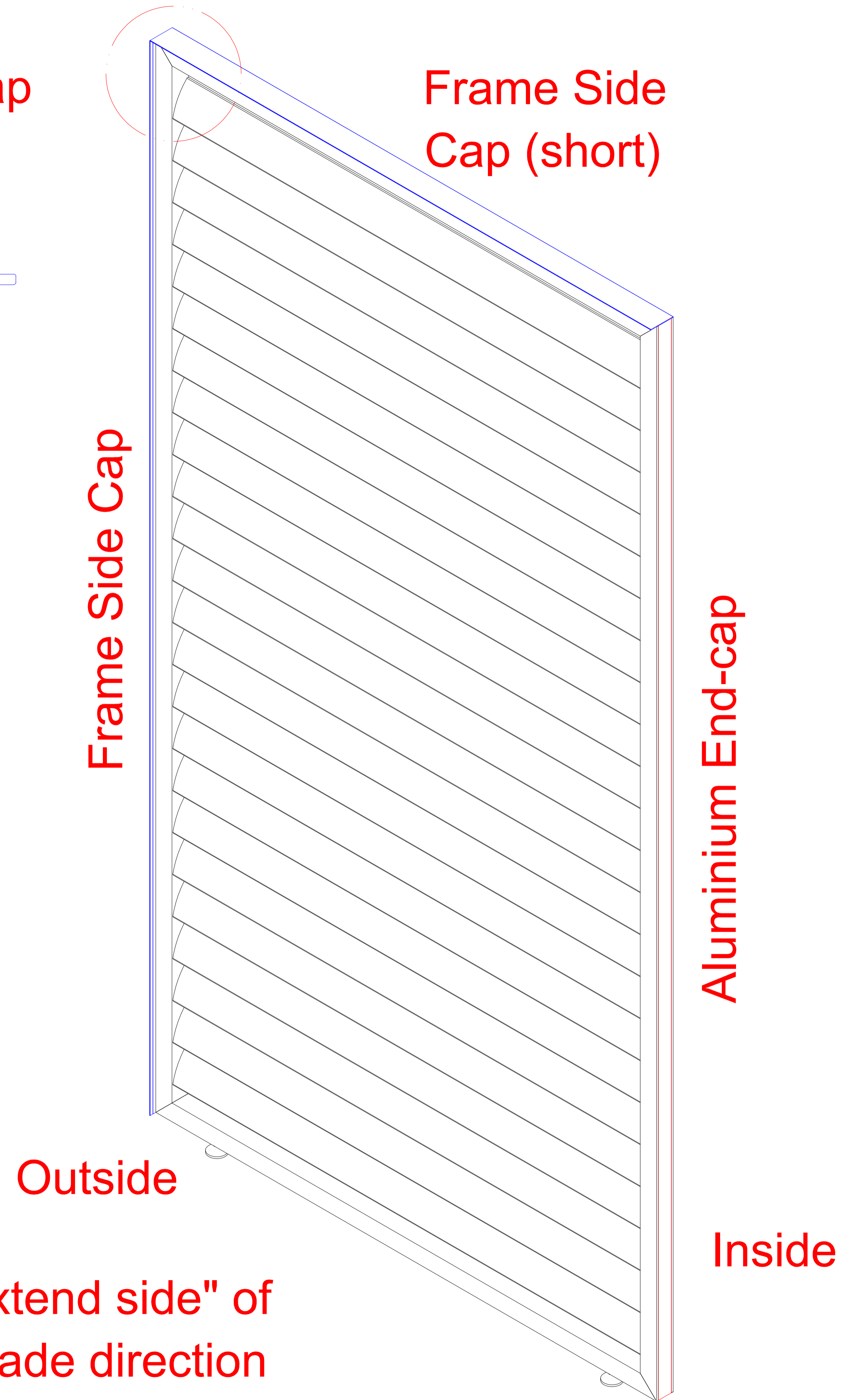
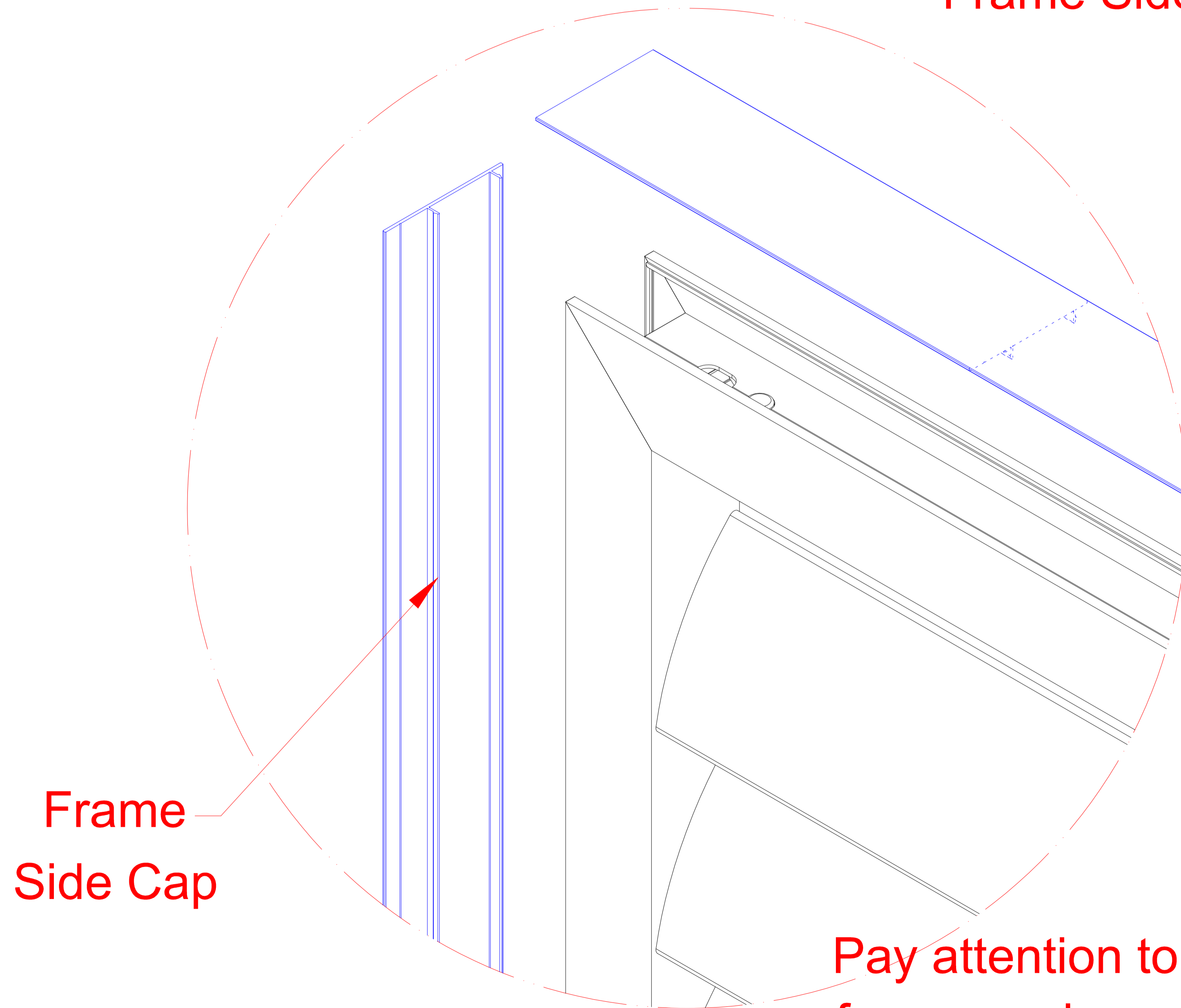
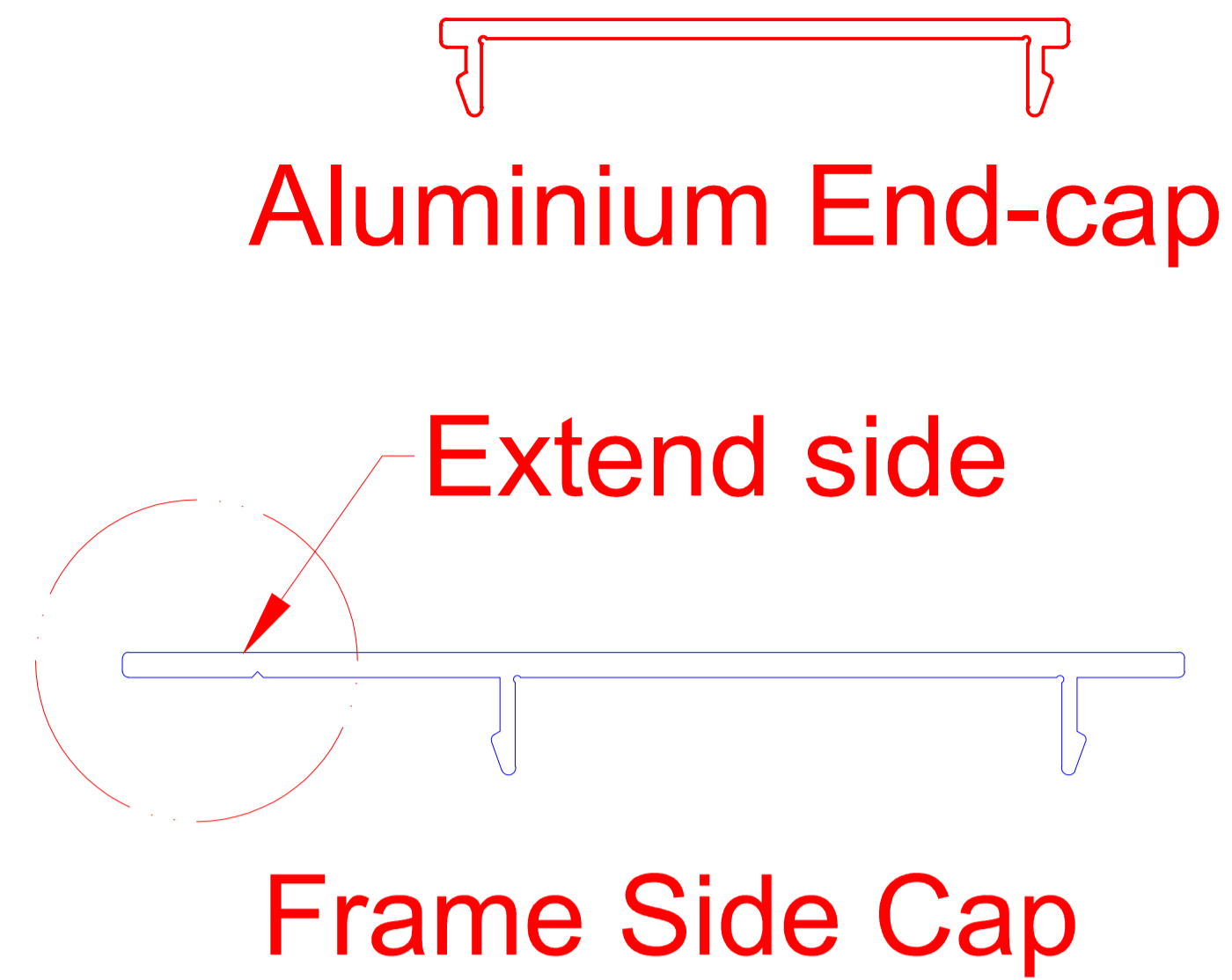
The bolts on the connecting piece can adjust the gap.



Connector

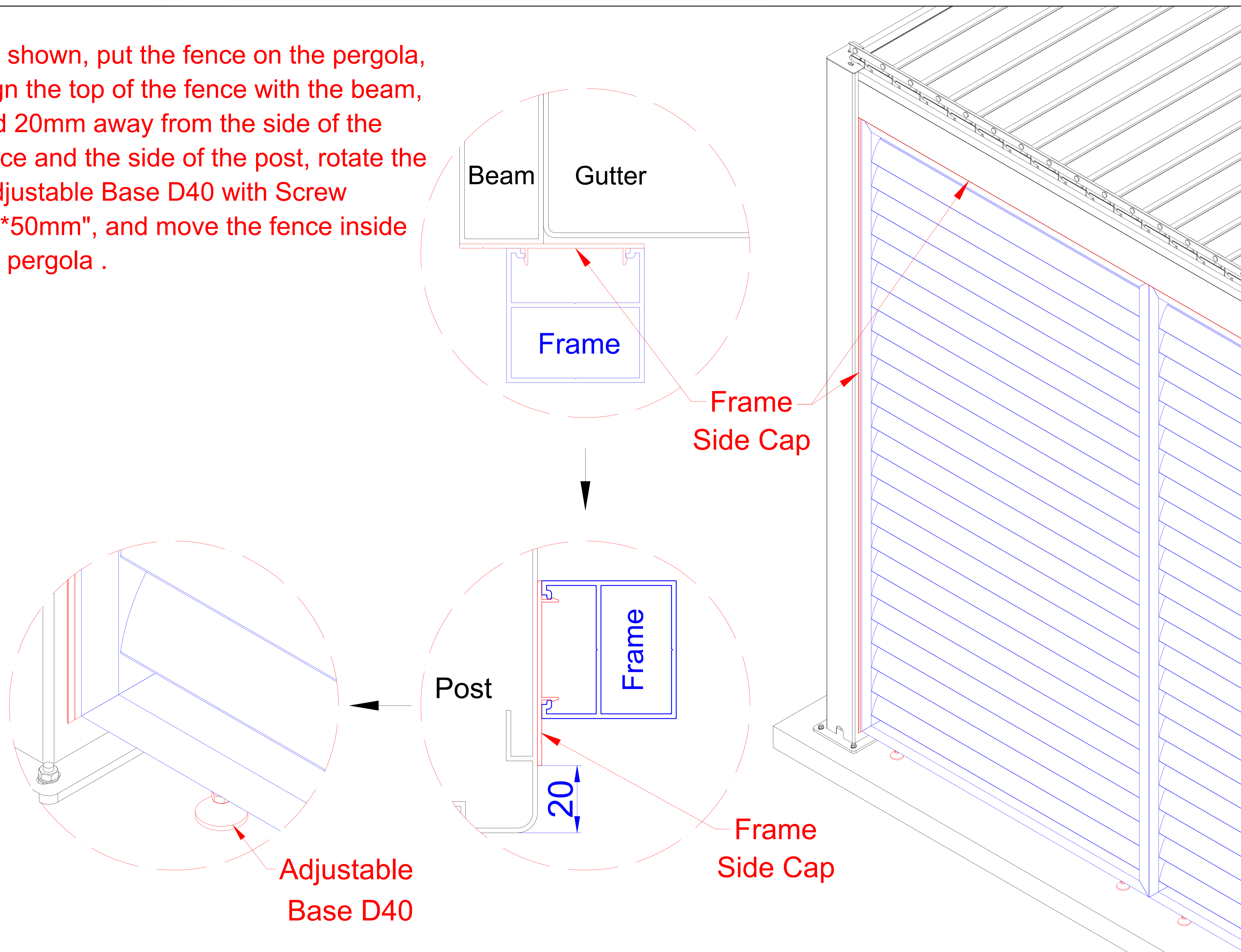
Frame (bottom)

4. As shown, fasten the "Frame Side Cap" to the main frame (with the flat side facing out, whichever side of the fence is fastened to the pergola, the "Frame Side Cap" is mounted on).

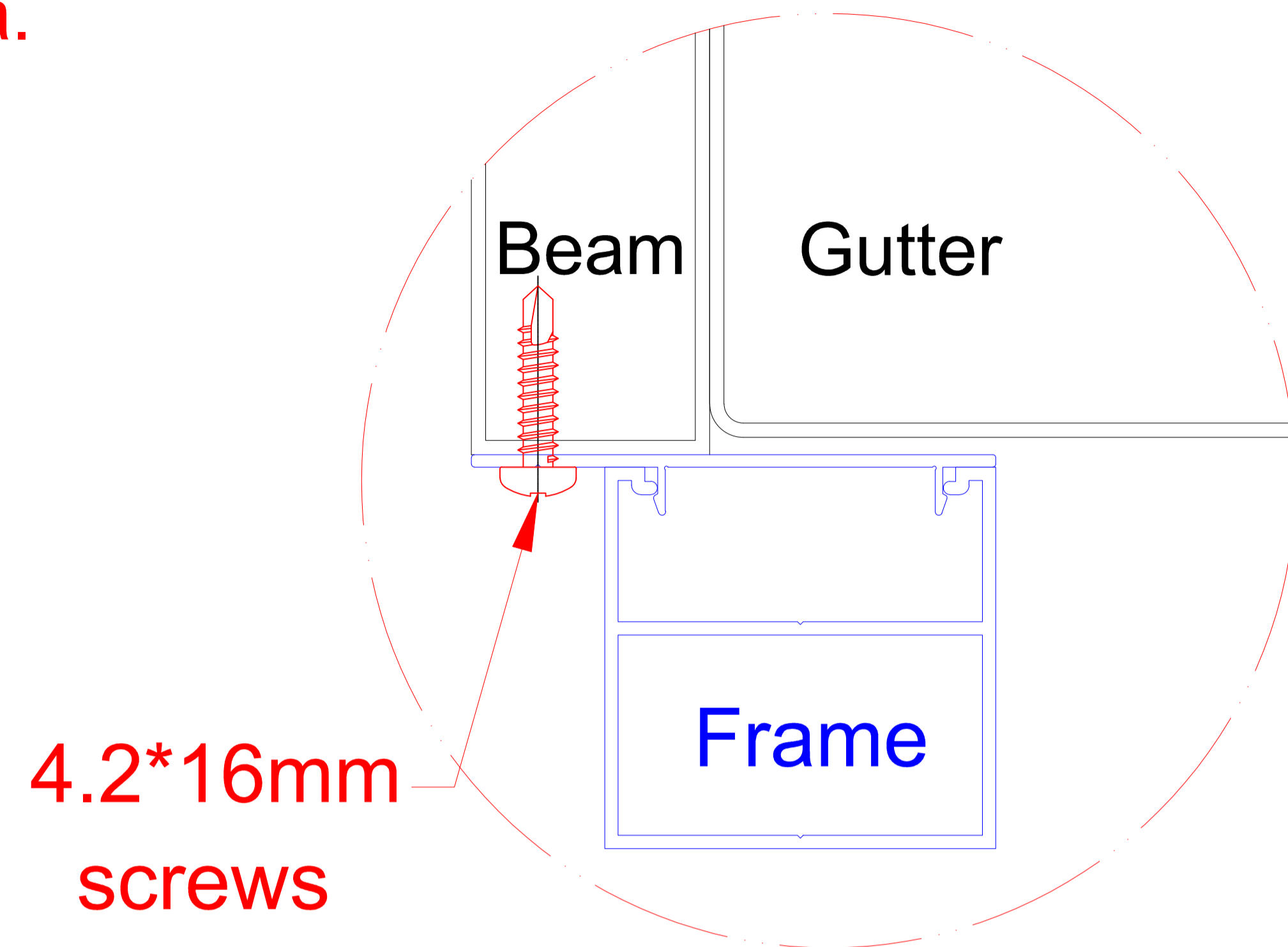


Pay attention to the "extend side" of frame end cap and blade direction need to like the drawing above.

5. As shown, put the fence on the pergola, align the top of the fence with the beam, and 20mm away from the side of the fence and the side of the post, rotate the "Adjustable Base D40 with Screw M8\*50mm", and move the fence inside the pergola .

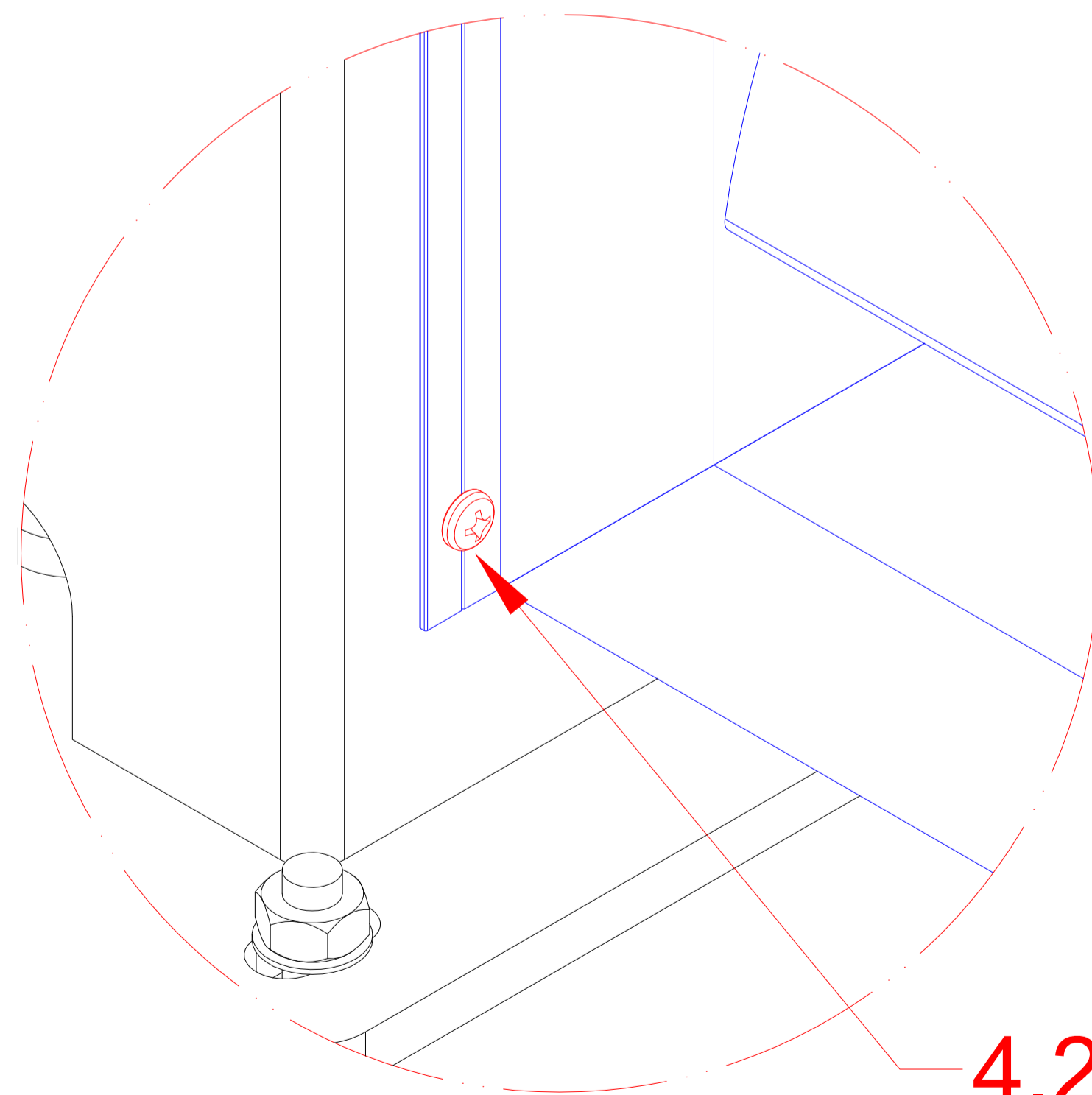
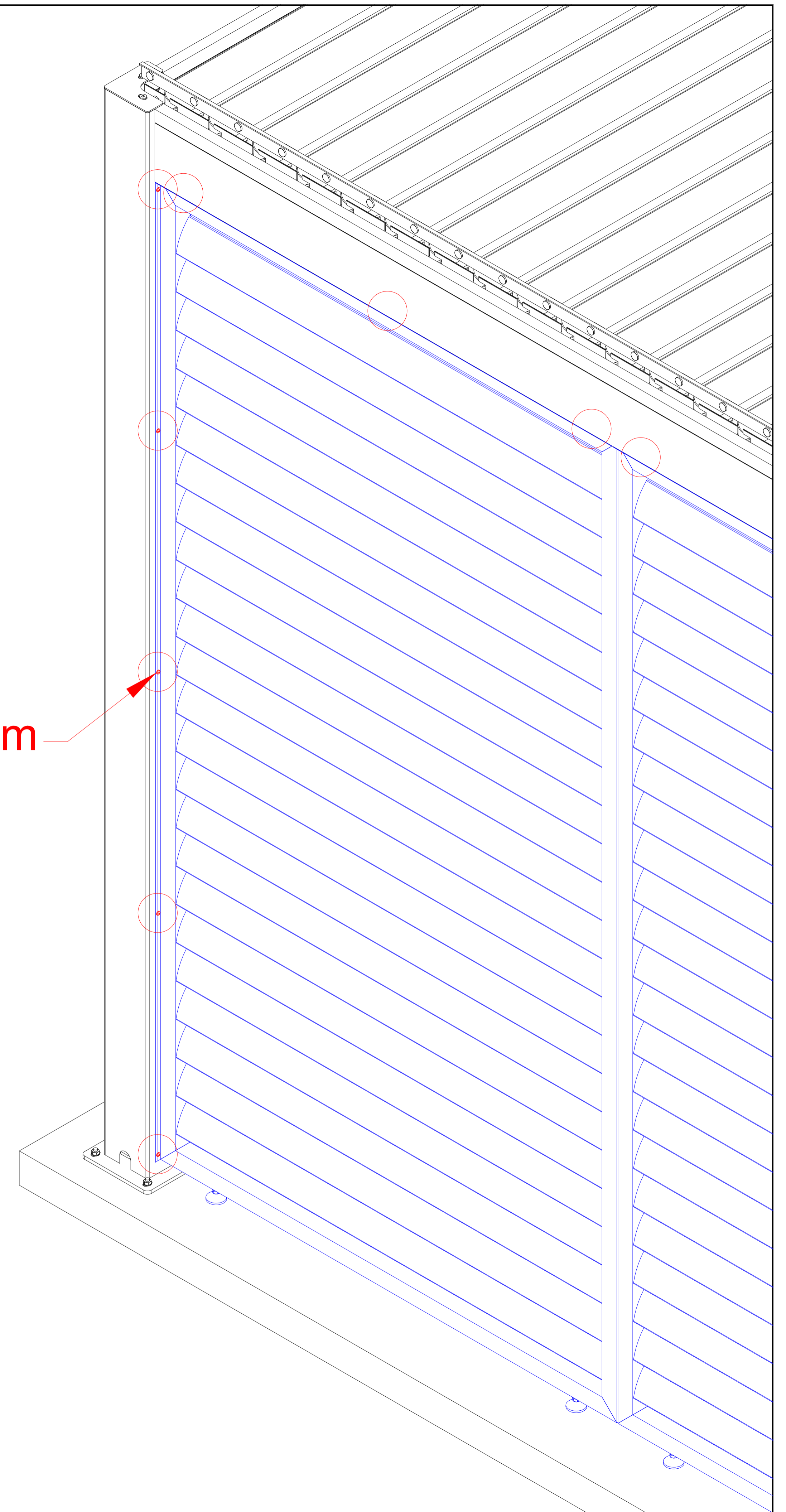


6. As shown, use "4.2\*16mm screws"  
to fix the fence to the pergola.

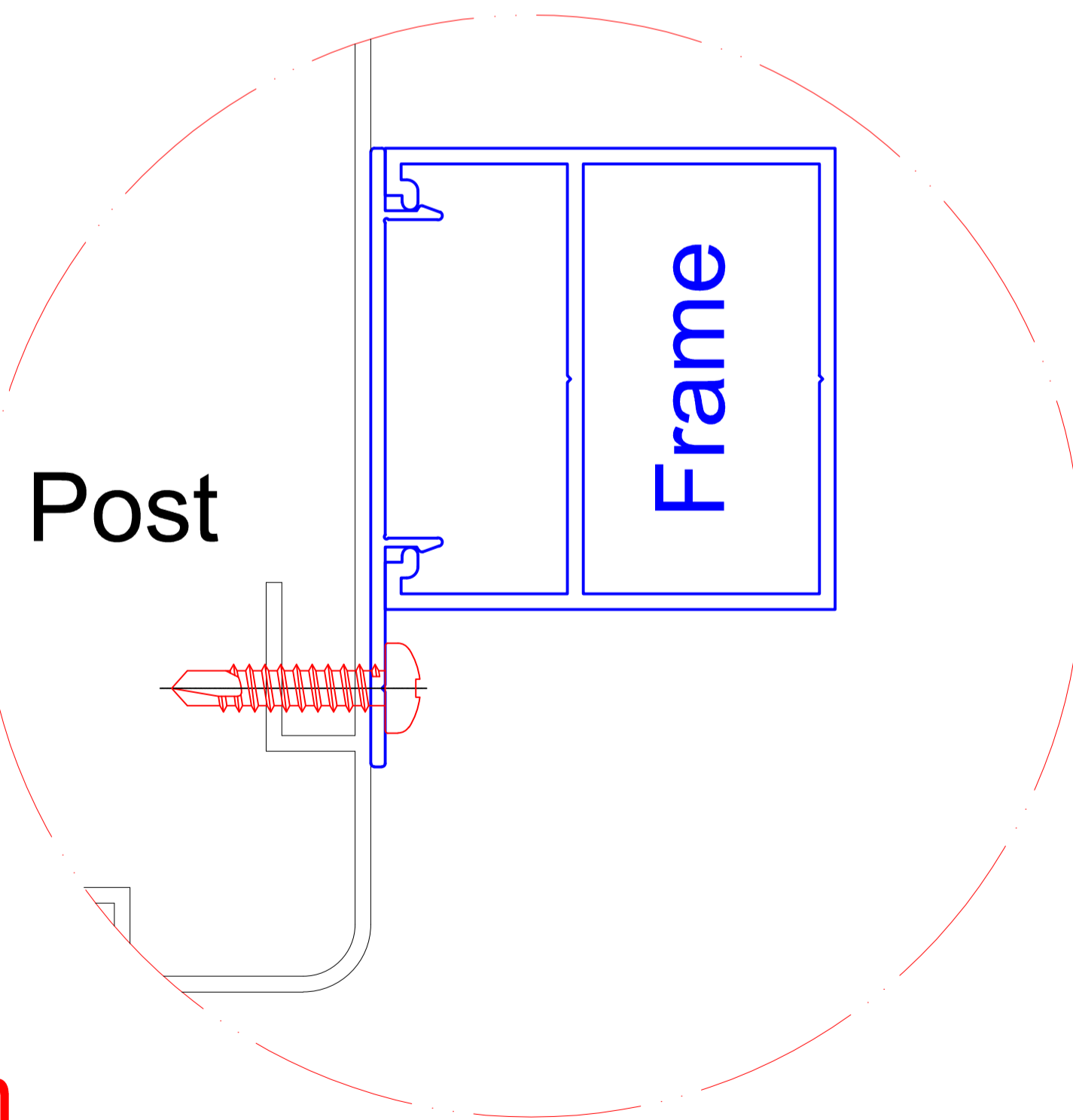


4.2\*16mm  
screws

4.2\*16mm  
screws

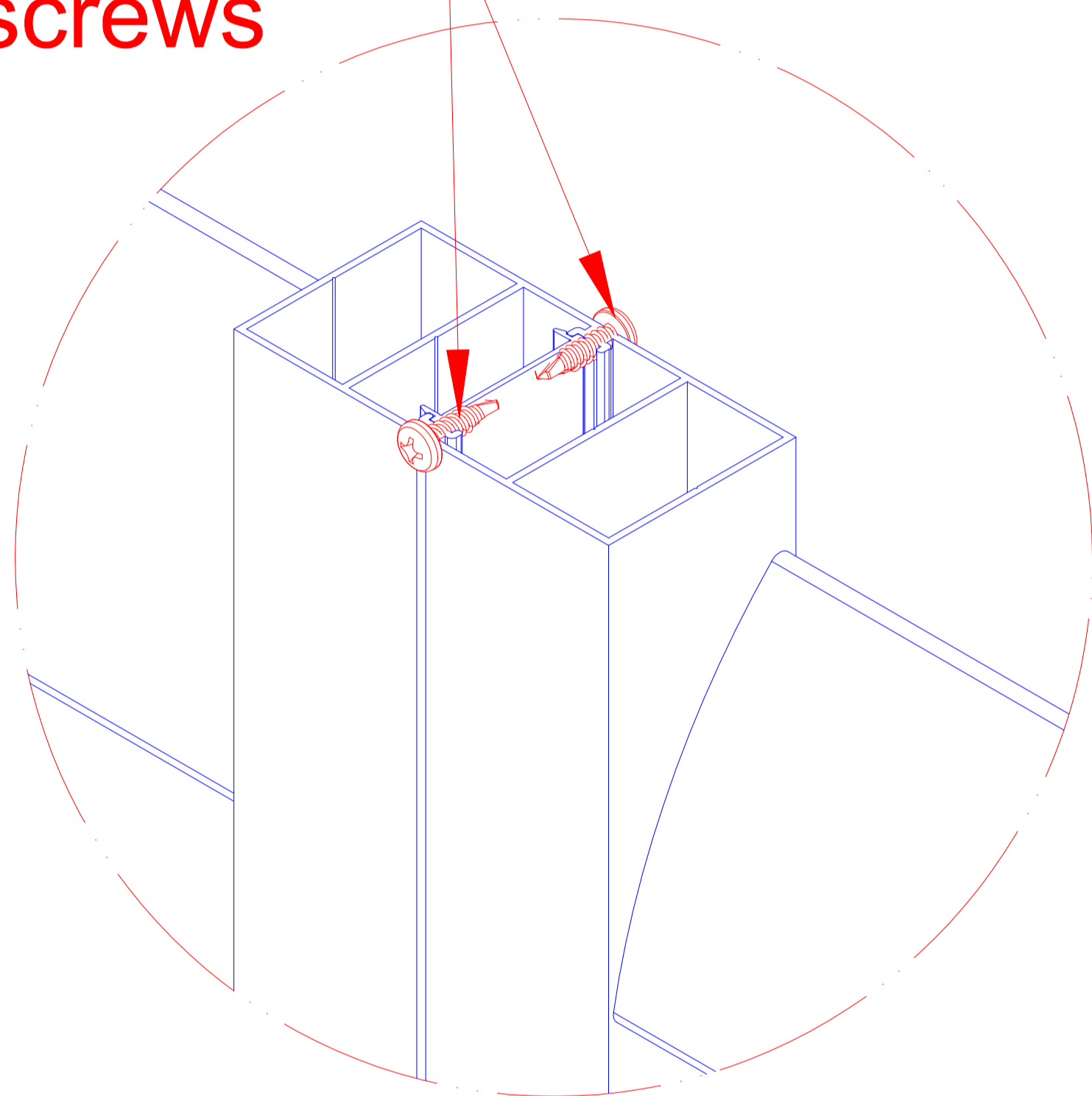


4.2\*16mm  
screws

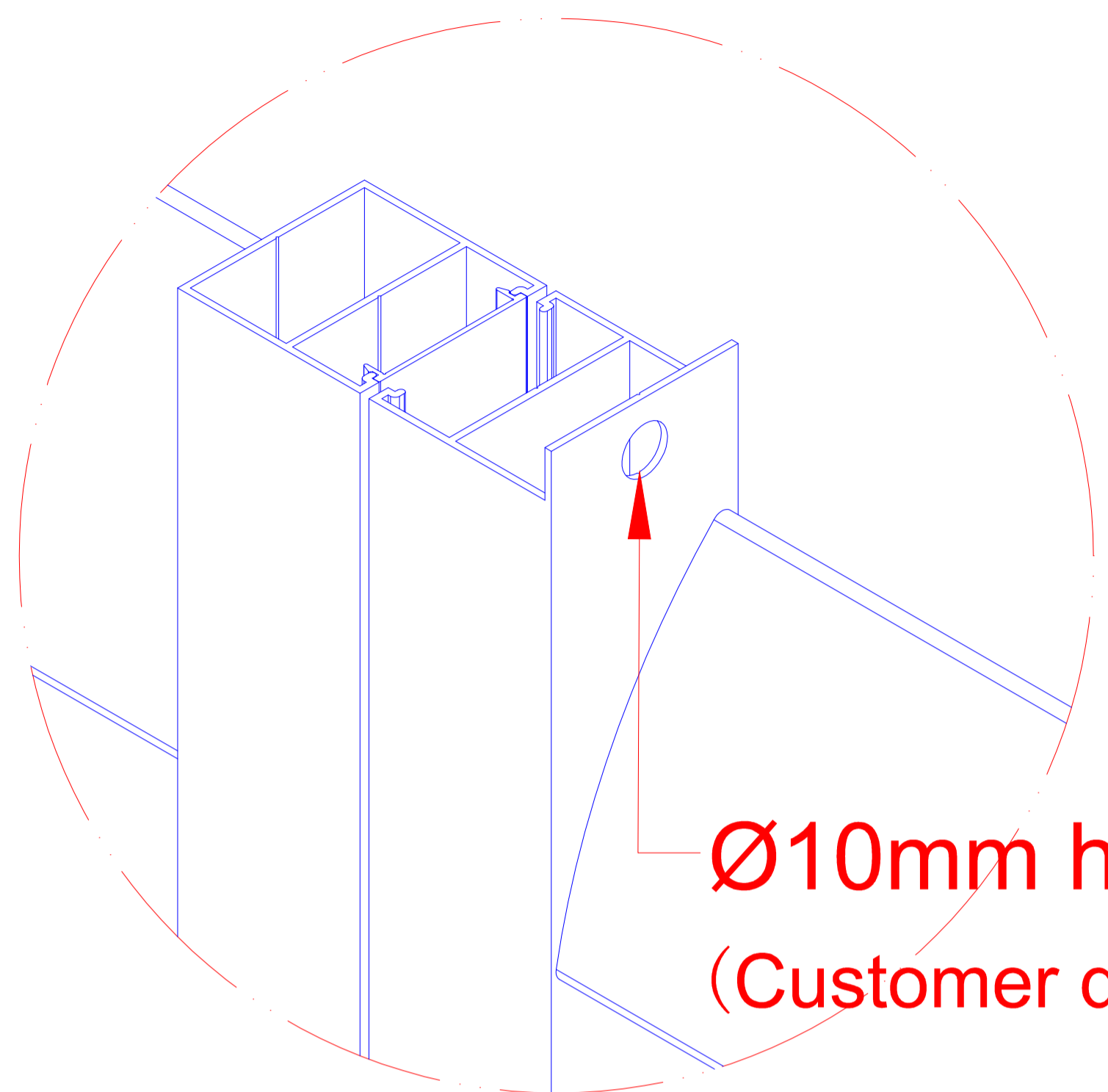


7. As shown, please use "M4.2\*50 screws or 4.2\*16mm screws" to fix two fences together.

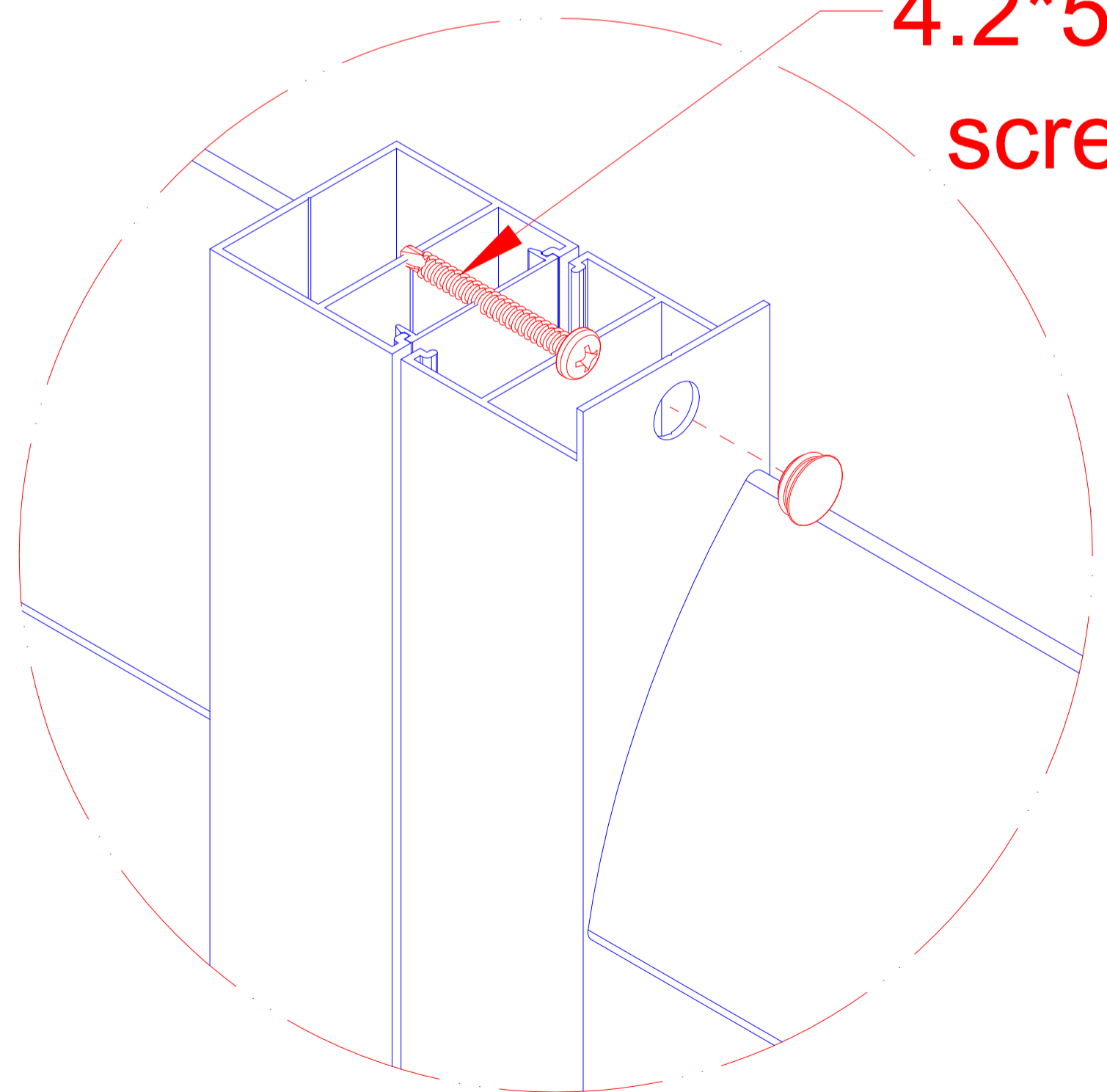
4.2\*16mm  
screws



or



Ø10mm hole  
(Customer drilling)



4.2\*50mm  
screws

