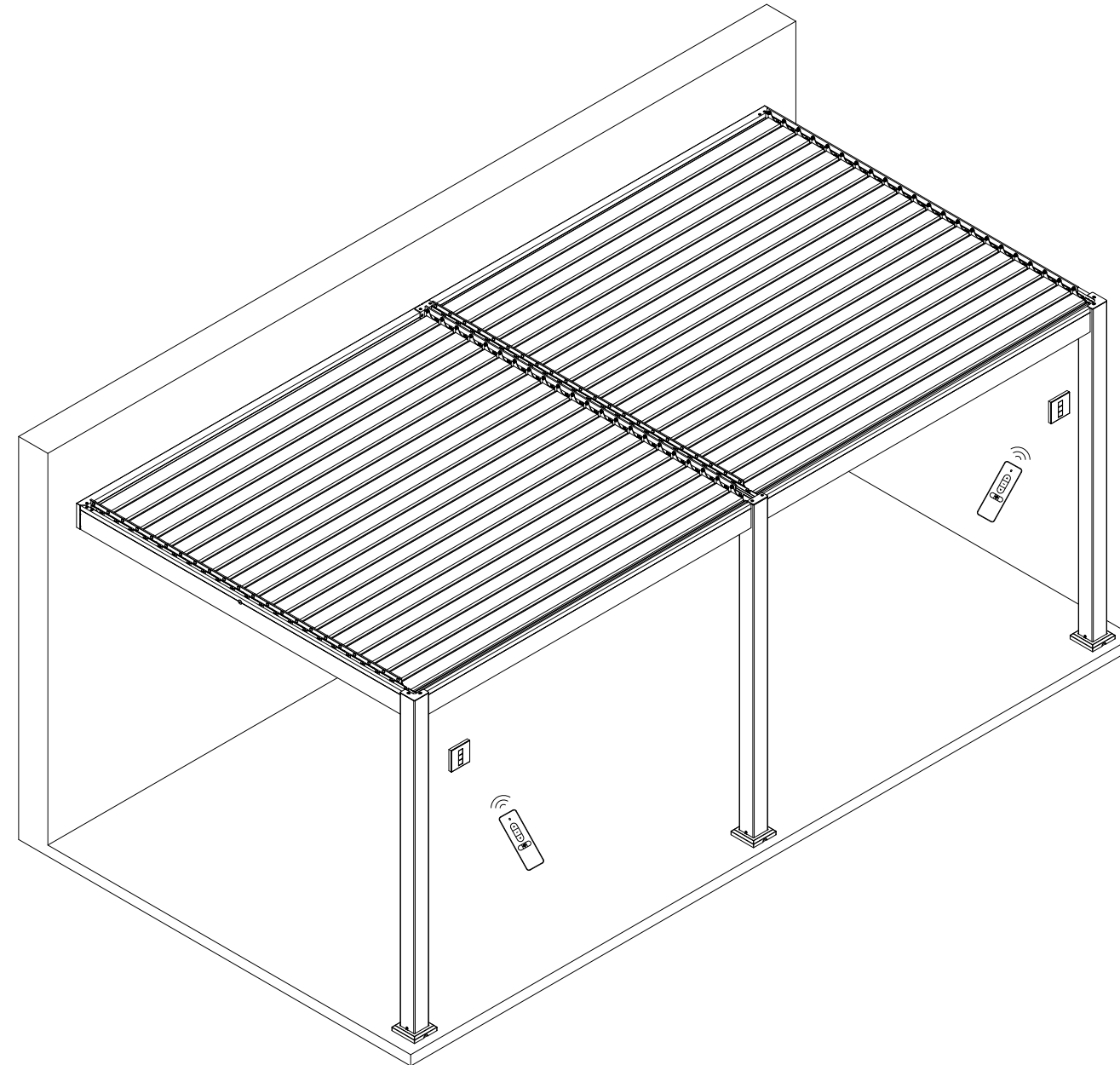


## OWNER'S MANUAL



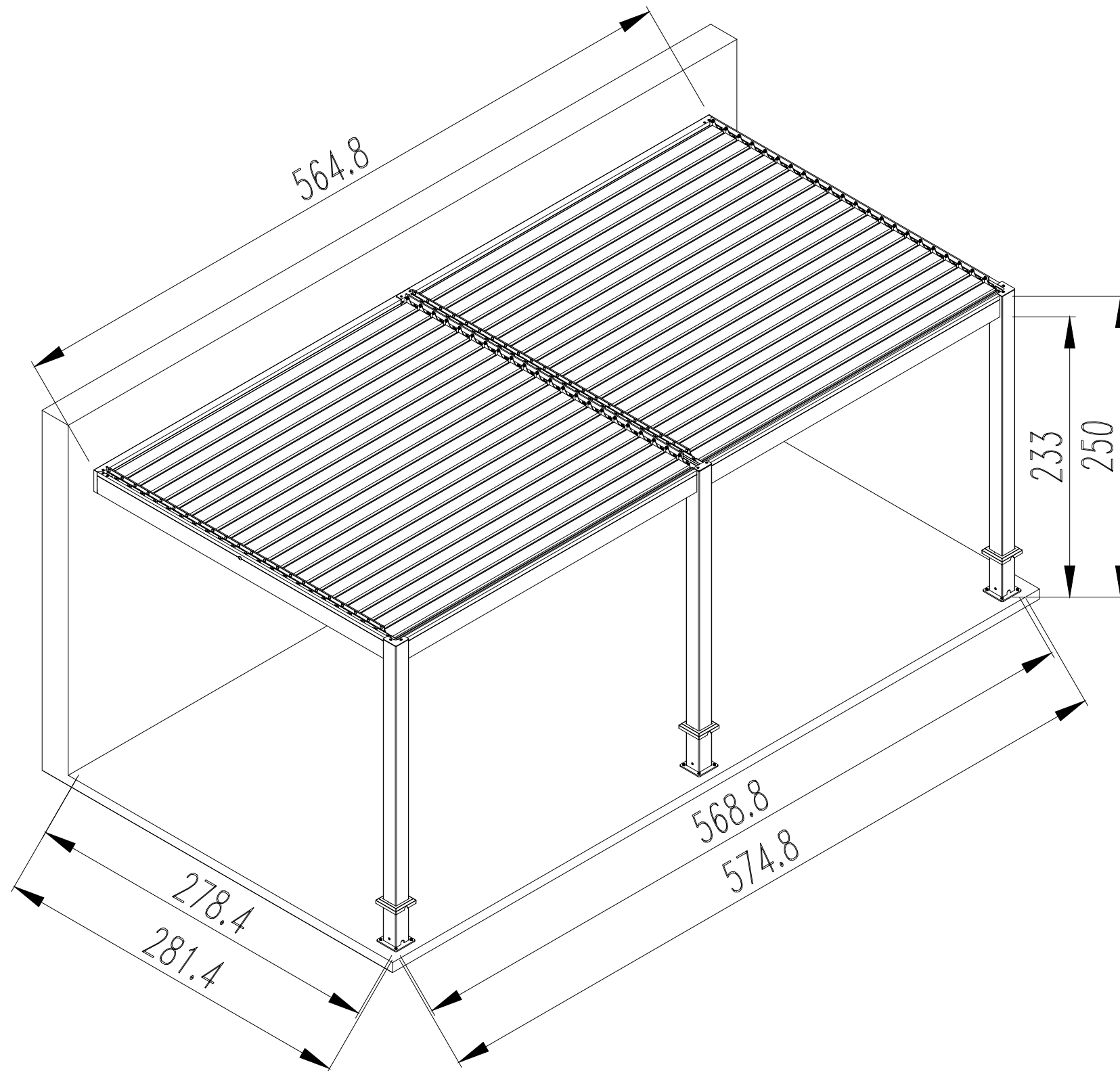
### 6 x 3 Pergo-X Pergola

Please read this manual before using your pergola for the first time.  
Please keep this manual for future reference.

# Pergo-X Pergola

Opening: Electric

Size: 600 (Length) x 300 (Width) x 240 (Height)



## Installation Notes:

1. Installation requires a minimum of three people: one for measurement and marking, one for installation and one as an assistant.
2. Only concrete floor fasteners are provided. In the case where there is no concrete slab on the ground, it is recommended to make concrete slabs at each column. The concrete slab should be a minimum of 500x500x500mm.
3. After the Pergola frame is assembled, use a square, level and ruler to measure the product level and diagonal to ensure the size of the pergola.
4. Power tools are required: make sure they work properly and follow the safety instructions.
5. Be careful when using sharp tools.
6. Wear protective clothing including safety glasses, helmets and gloves.
7. Don't climb or stand on the roof.

# Safety Warning

- It is highly recommended to wear gloves for assembly.
- Do not install pergola during bad weather conditions, such as wind or rain.
- Do not touch any wires with aluminum profiles.
- Always wear protective shoes and glasses when installing pergola.
- Keep all plastic bags out of the reach of children.
- The pergola column must be positioned and fixed on a flat surface.
- Do not lean on the column during the assembly phase.
- Do not let children approach the scene during the assembly phase.
- Don't be near pergola in a storm or typhoon.
- Do not try to climb pergola under the influence of alcohol or drugs.
- When using ladders or similar tools and power tools during the assembly phase, be sure to follow the manufacturer's safety recommendations.
- Any hot tool, such as an electric drill, cannot be in contact with the pergola profile.
- Make sure there are no cables or other cables hidden underground before positioning the column.

## General Advice

- This pergola has several components and it takes at least 90 minutes to assemble. The pergola should not be positioned under a tree.
- If you connect the column directly to cement or a similar base, use the pre-punched holes on the supplied base.
- Check the number of profiles and fittings before assembly and use them according to the list of profile fittings for easy assembly.
- Put small pieces such as screws into a container to avoid loss.
- Please pay attention to the position of the transmission on the beam to avoid misplacement.
- Regularly clean leaves, snow or other objects off the pergola.

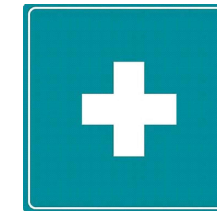
## Maintenance and Repair

- To clean pergola, use a mild detergent and rinse with water. Do not use acetone or abrasive cleaning products to clean the surface of the aluminum profile.

# Protection and Installation Tools

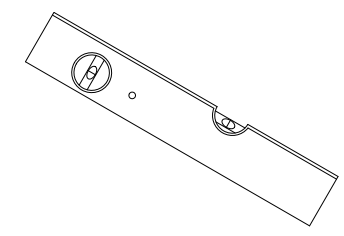
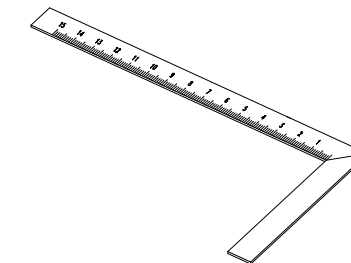
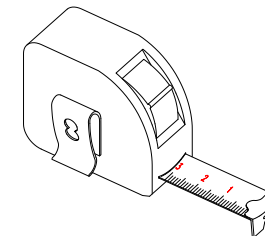
## Protective Equipments:

1. Helmet
2. Gloves
3. Emergency first-aid kit
4. Protective glasses



## Measuring Instrument:

1. Tape measure (5 metres or more)
2. Square ruler
3. Level



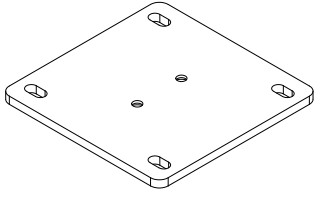
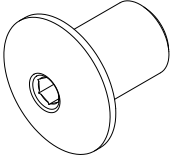
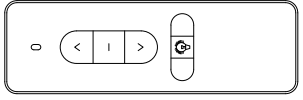
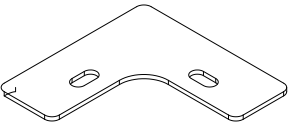
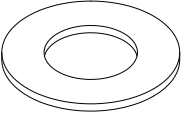
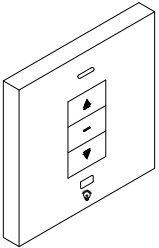
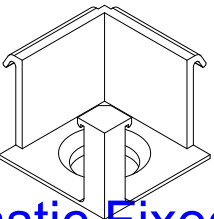
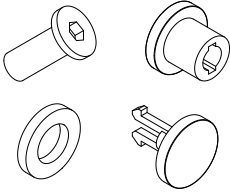
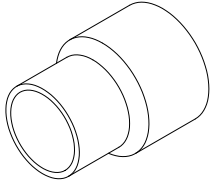
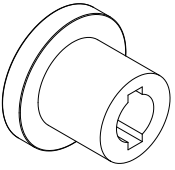
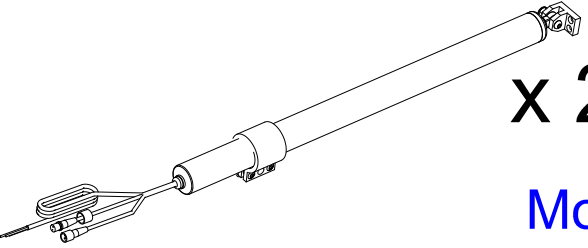
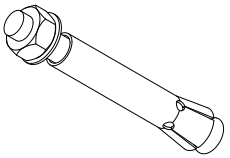
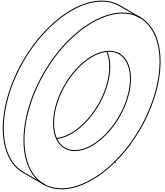
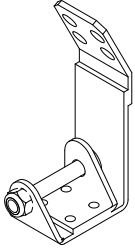
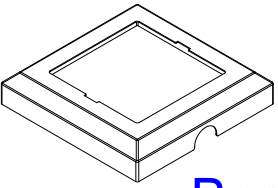
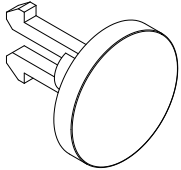
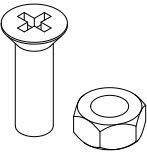
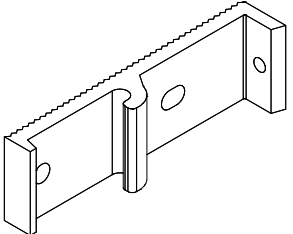
## Tools:

1. 2 metre ladder (1.5 metres or more)
2. 13mm hex wrench
3. 17mm hex wrench
4. Electric drill
5. Electric drill bit (10 mm drill bit)
6. Marker or pencil
7. Rubber hammer
8. Sealant and glue gun



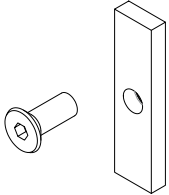
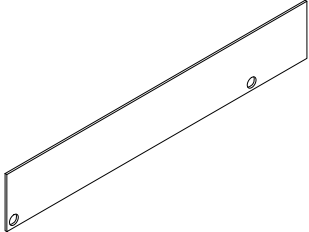
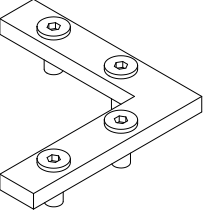
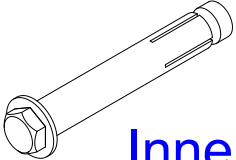
Silicon

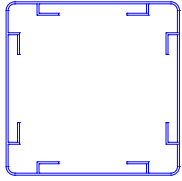
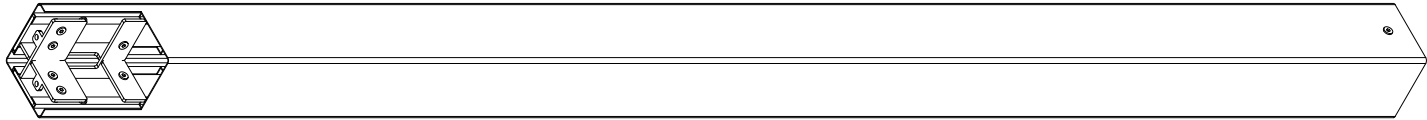
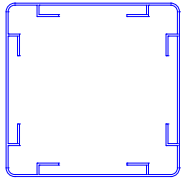


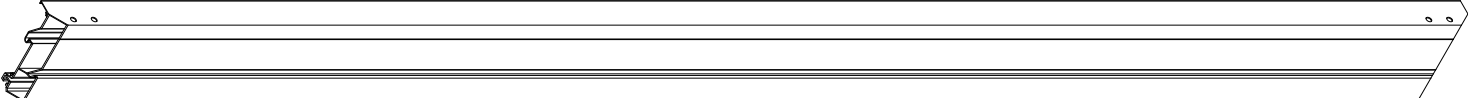

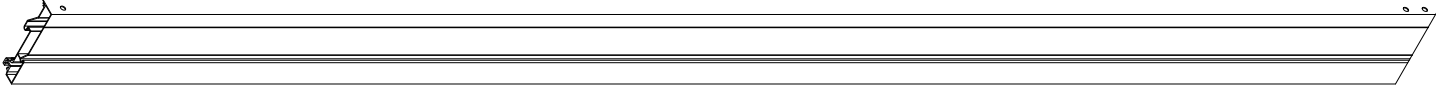
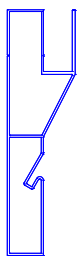


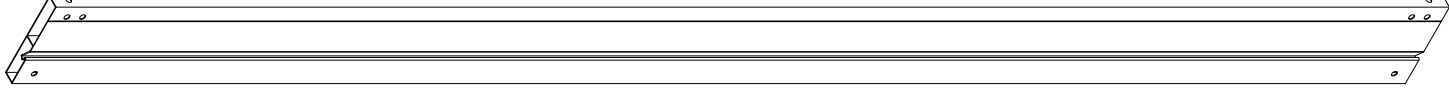
## Accessories & Screws List

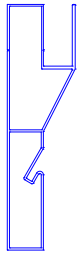

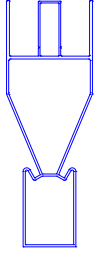
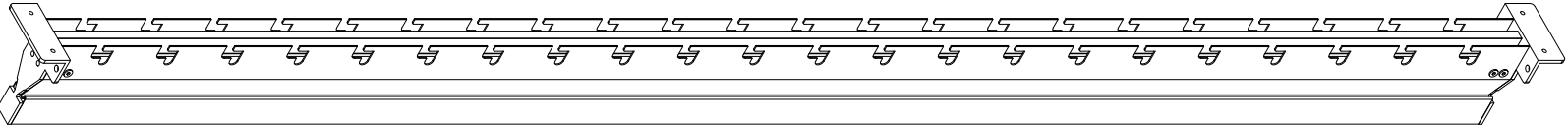
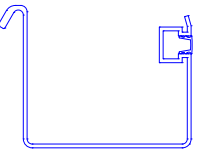
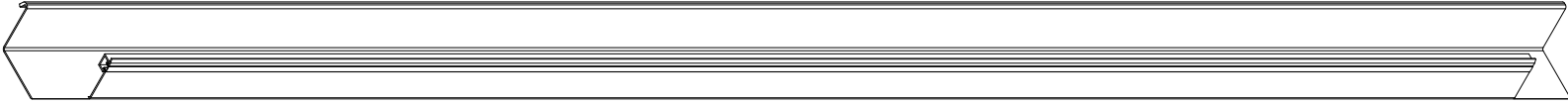
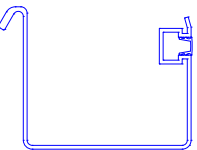

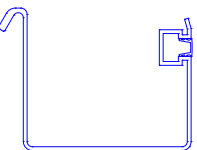
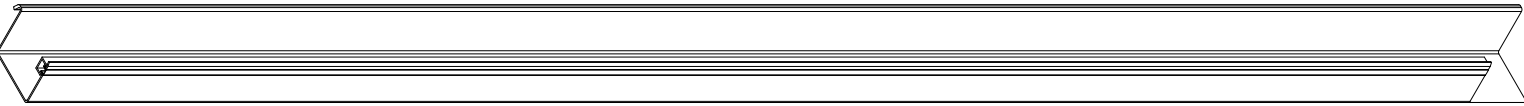
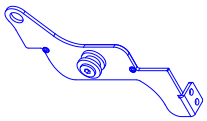
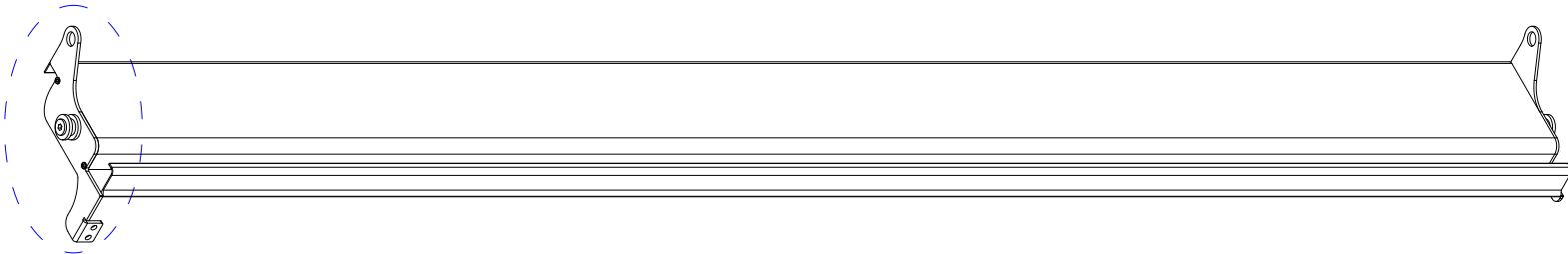
①		x 3	⑦		x 2	⑬		x 2
	Base Plate			M10 Screw Cap			Remote Control	
②		x 2	⑧		x 10	⑭		x 2
	Post Top Cover			Gasket for adjusting the height			Receiver	
③		x 2	⑨		x 1	⑮		x 2
	Plastic Fixed Part For Gutter			Accessories as back up			Pipe Fitting	
④		x 88	⑩		x 2	⑯		x 12
	Cap clips			Motor			Anchor Bolt	
⑤		x 88	⑪		x 2	⑰		x 3
	Plastic Spacer			Motor Bracket			Base Plate Cover	
⑥		x 88	⑫		x 4	⑱		x 6
	Clips			Screw and Nut			Wall bracket	



# Accessories & Screws List

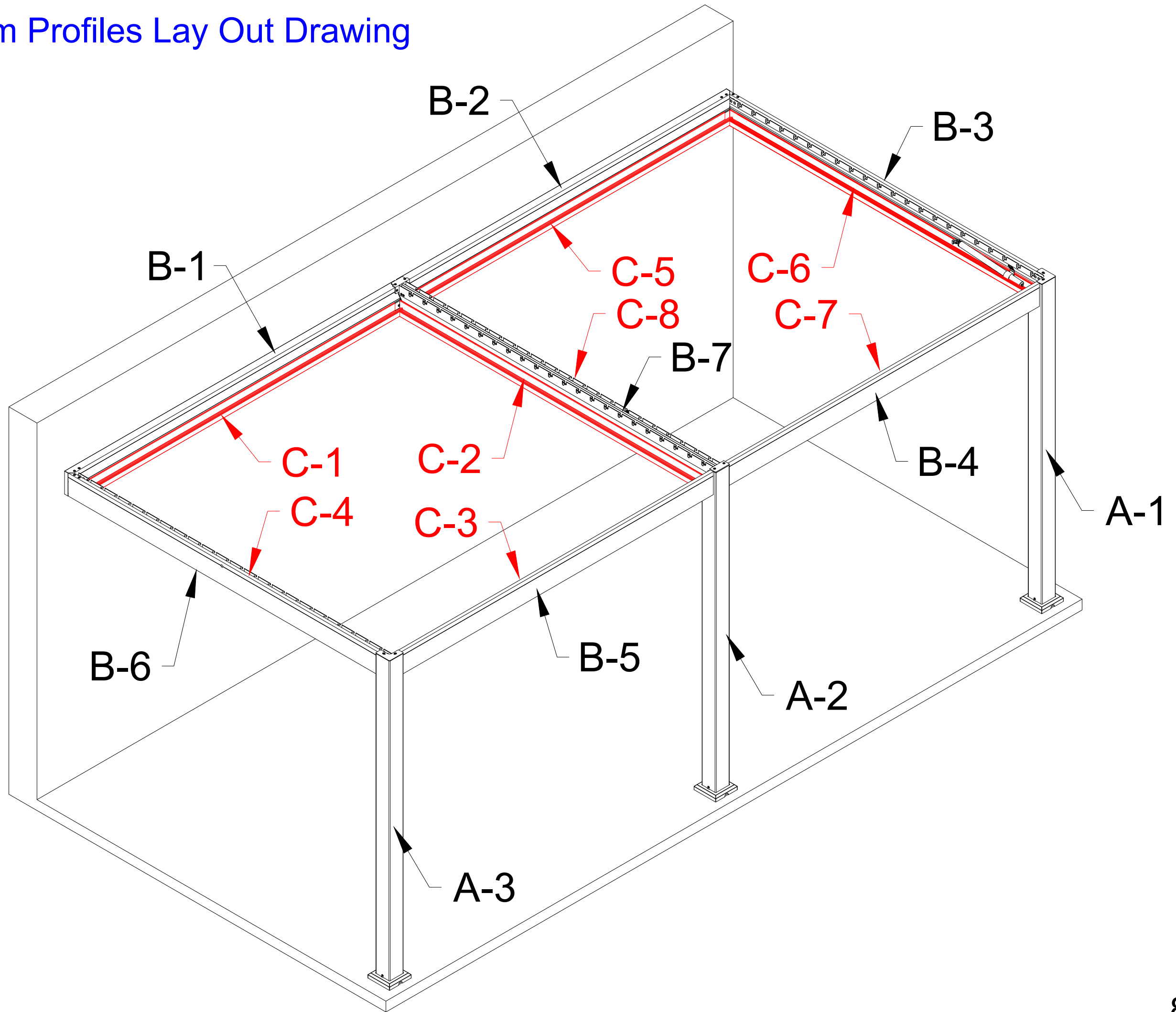
<b>19</b>		<b>x 6</b>				
	<p>Rectangular Nut and Bolt</p>					
<b>20</b>		<b>x 2</b>				
	<p>Beam cover</p>					
<b>21</b>		<b>x 4</b>				
	<p>L Connector</p>					
<b>22</b>		<b>x12</b>				
	<p>Inner Anchor Bolt</p>					

<p>A-1 A-3</p>		 <p style="text-align: right;">x 2 Post+Post Connector</p>
<p>A-2</p>		 <p style="text-align: right;">x 1 Post+Post Connector</p>
<p>B-1</p>		 <p style="text-align: right;">x 1 Wall Beam</p>
<p>B-2</p>		 <p style="text-align: right;">x 1 Beam with hook</p>
<p>B-3</p>		 <p style="text-align: right;">x 1 Beam with hook</p>
<p>B-4 B-5</p>		 <p style="text-align: right;">x 1 Beam</p>

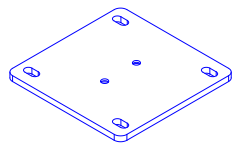
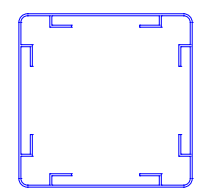
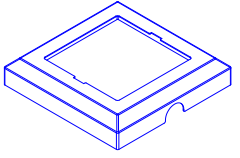
B-6			x 1 Beam with hook
B-7			x 1 Middle Beam
C-1,C-2 C-5,C-8			x 4 Long Gutter
C-3 C-6			x 2 Long Gutter
C-4 C-7			x 2 Long Gutter
D-1			x 2 Driving Blade

D-2			<p>x 2 Strengthen Blade</p>
D-3			<p>x 42 Common Blade</p>
E			<p>x 4 Control Rod</p>

# Aluminum Profiles Lay Out Drawing

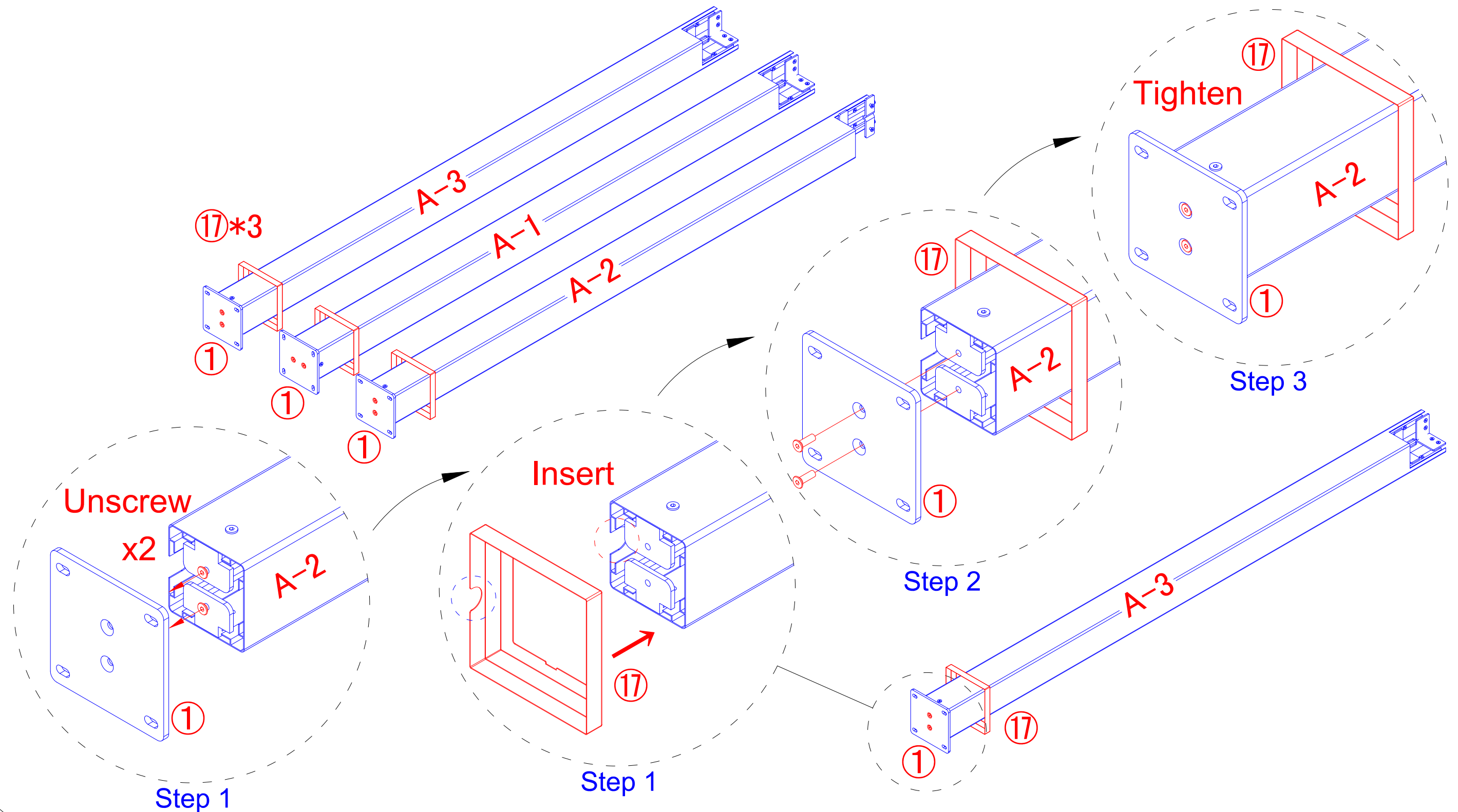




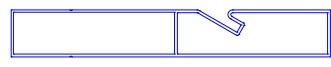
①		x 3	A-1 ~ A-3		x 3
⑰		x 6			

### Assemble the Framework

1) Unscrew the bolts pre-installed on the bottom of the Post (A-1, A-2, A-3), insert the base plate cover ⑰ into the posts, align the base plate ①, and lock the base plate ① to the post with the unscrewed bolts.



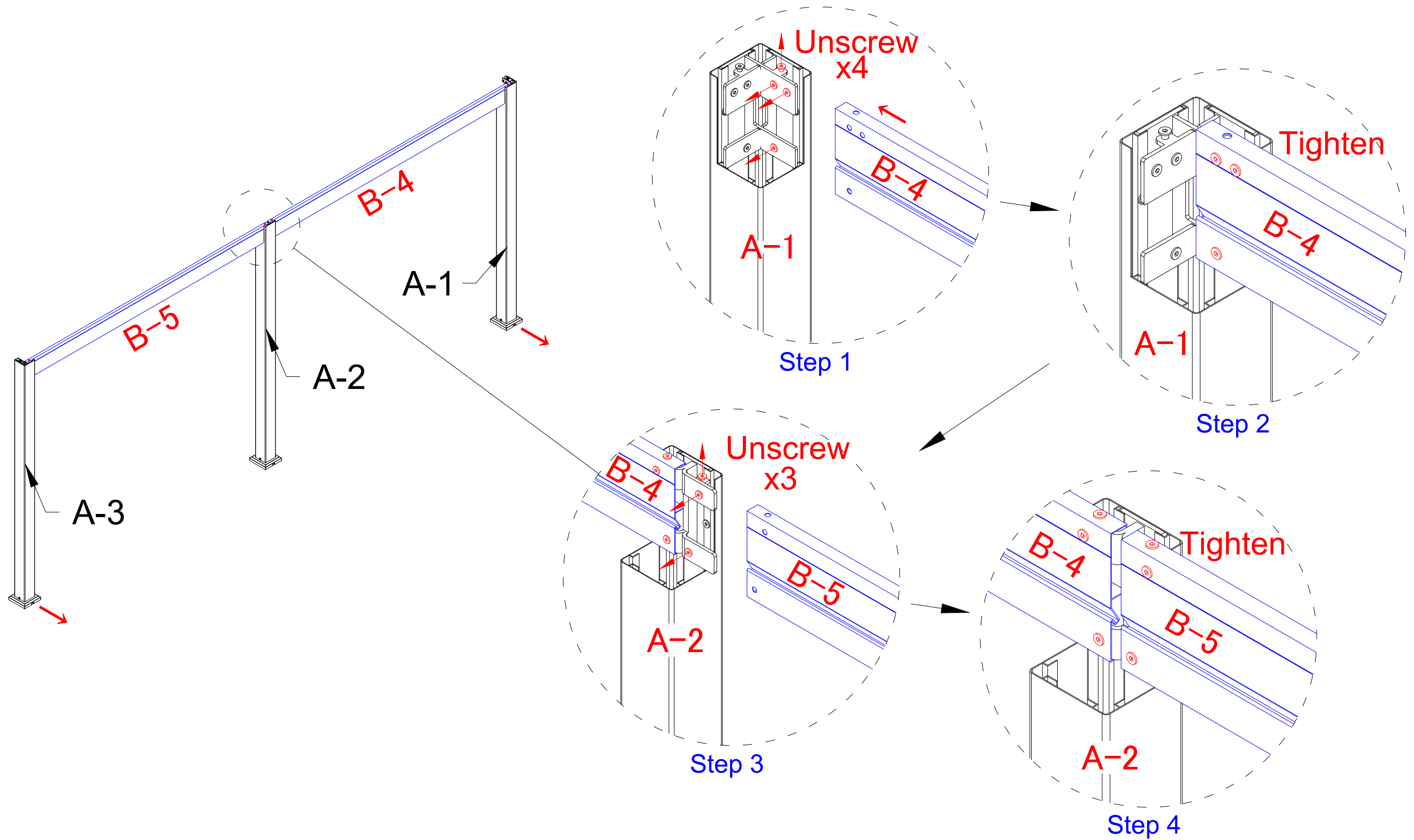
B-4、B-5



x 4

### Assemble the Framework

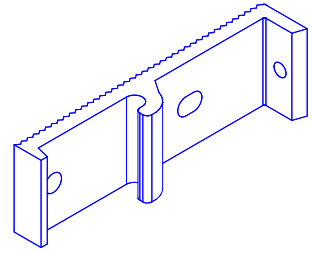
2) Unscrew the bolts pre-installed on the top of the Post (A-1, A-2, A-3), insert the beam (B-4, B-5) into the post connector, and lock the beam to the post with the unscrewed bolts.



Assembly the framework

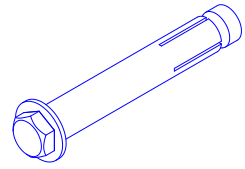
3) According to the size and horizontal line, fixing the wall bracket ⑱ on the wall by Inner Anchor Bolts ⑳.

⑱

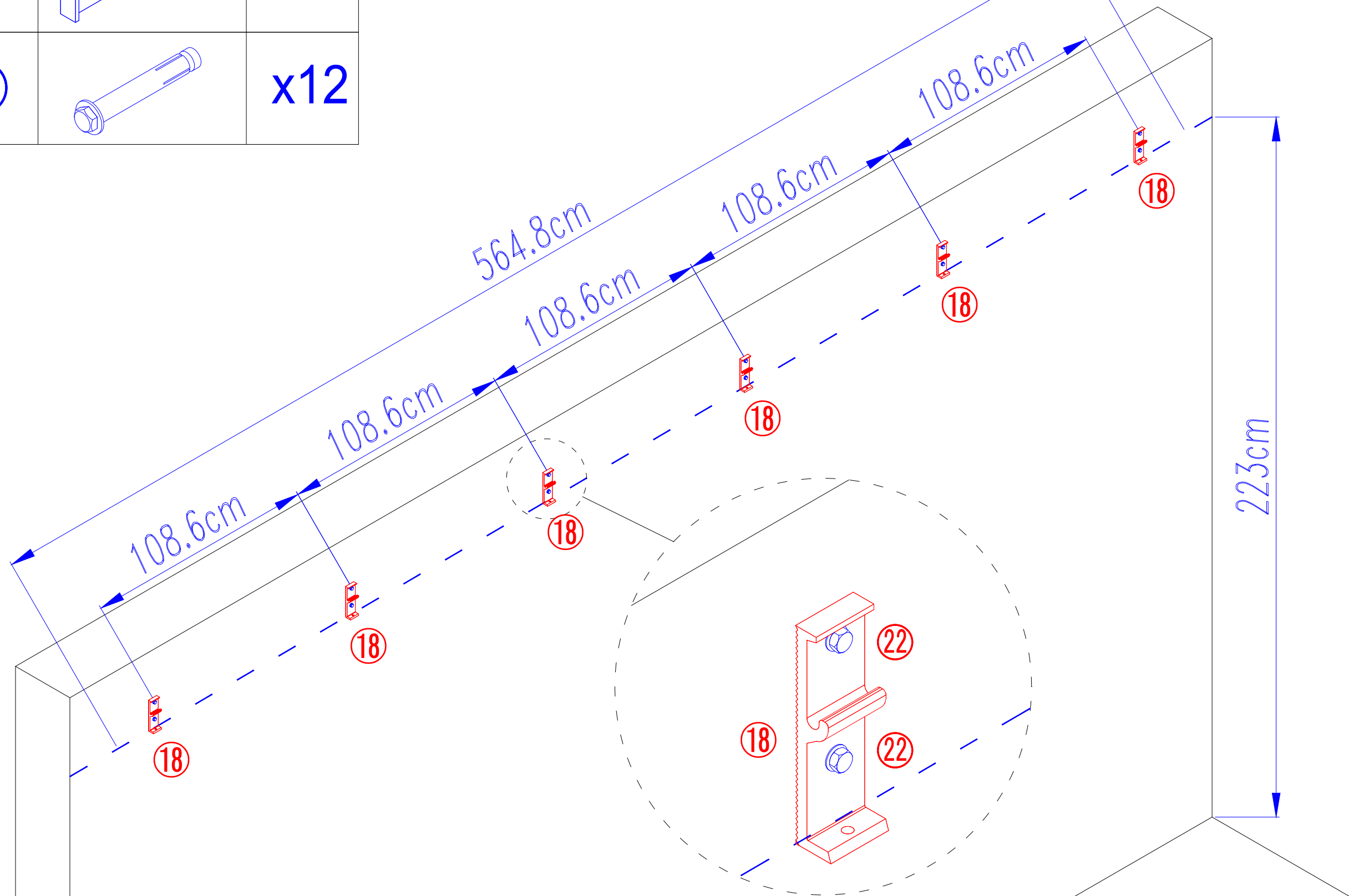


x 6

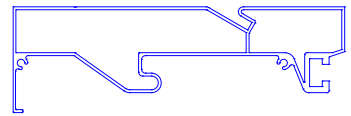
㉑



x12



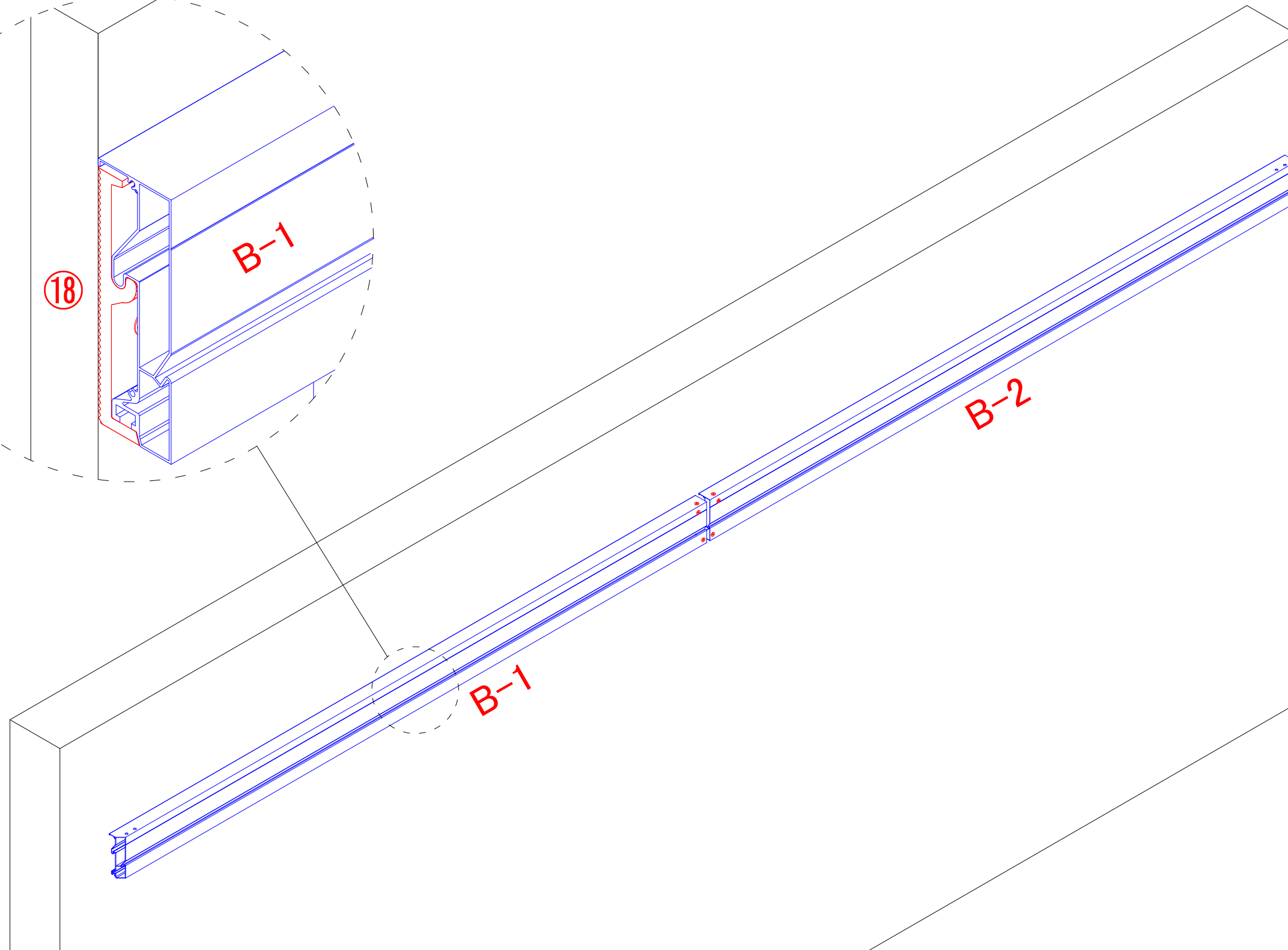
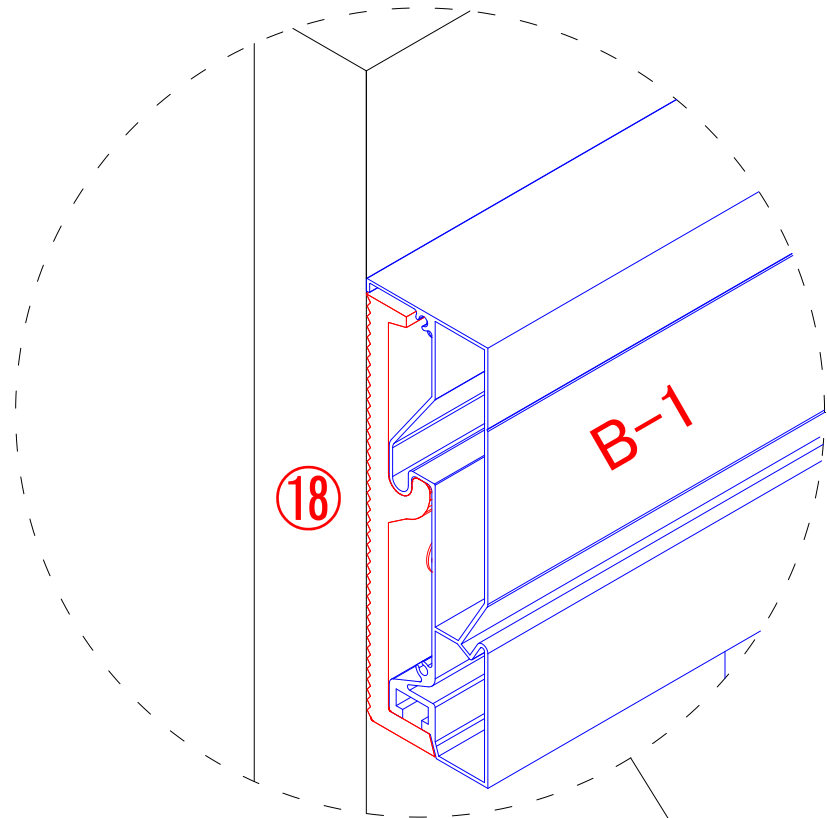
B-1  
B-2

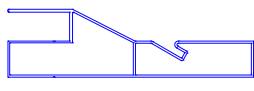
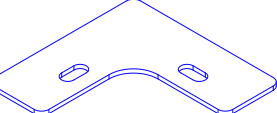
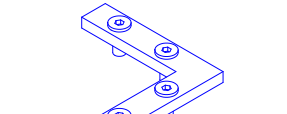
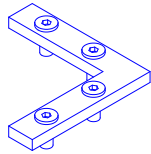


X 1

Assembly the framework

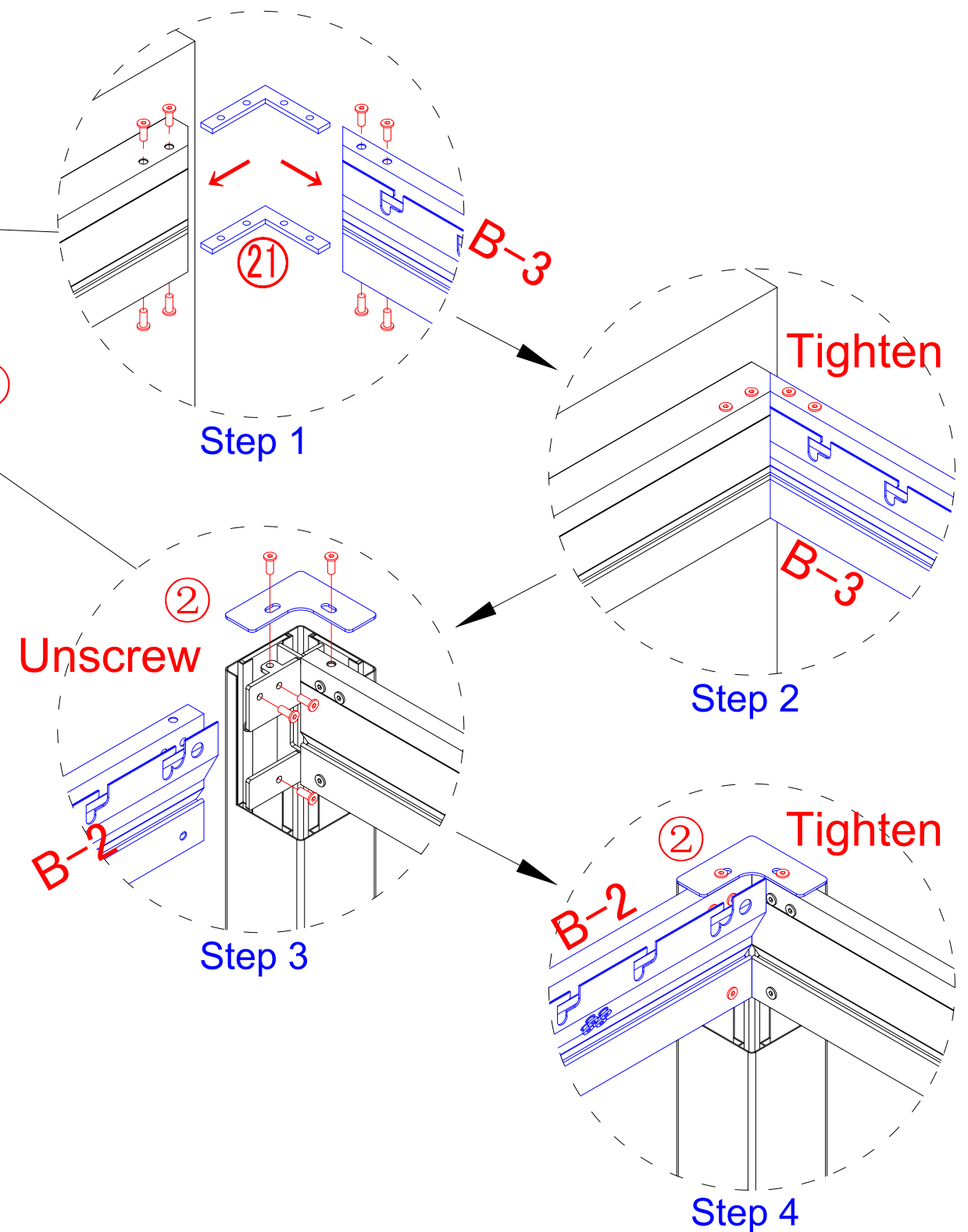
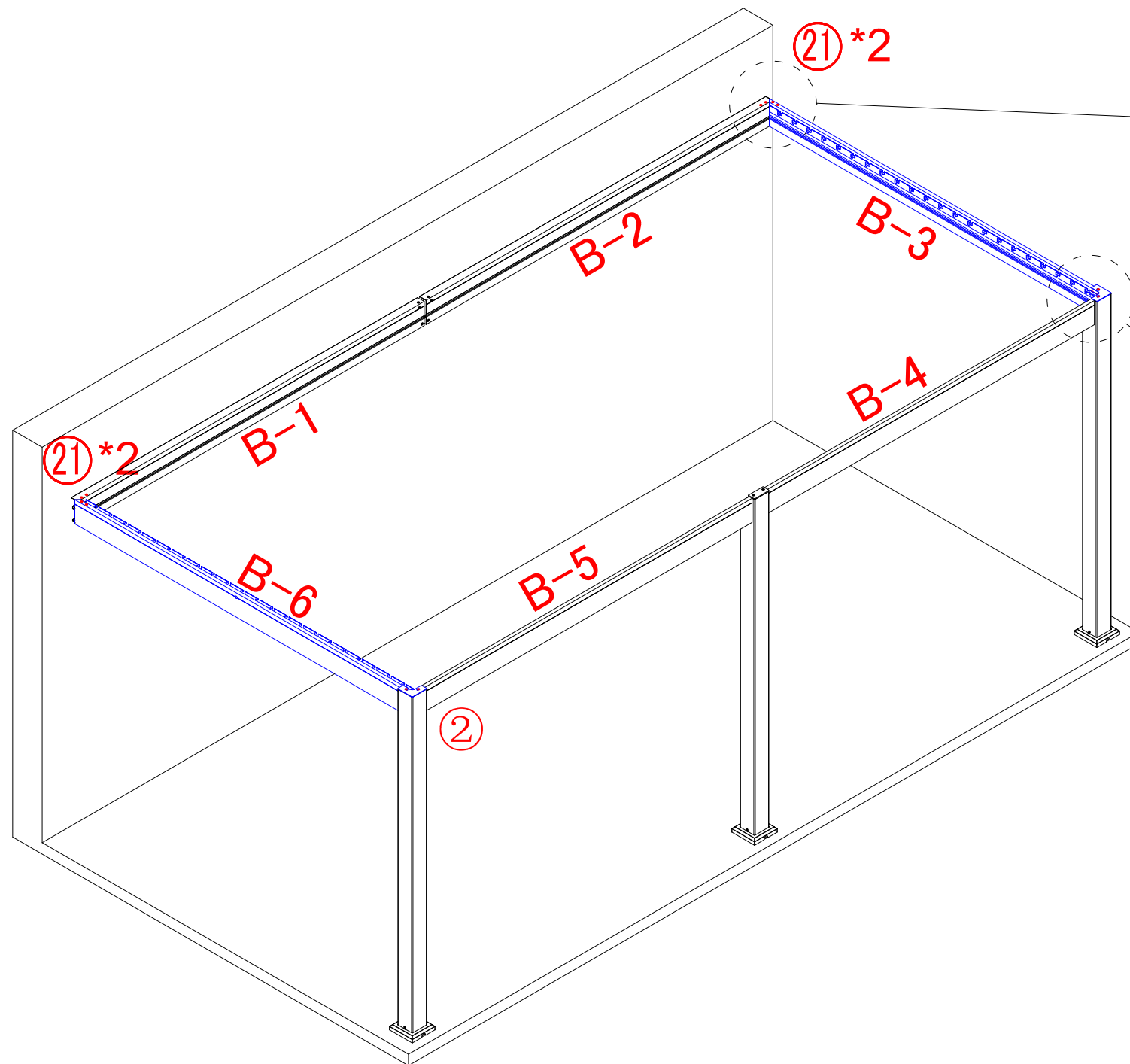
4) As shown, hanging the wall beam B-1 and B-2 to the wall bracket.



B-3		x 2
B-6		x 2
②		x 2
②①		x 4

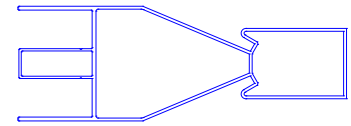
### Assembly the framework

5) Unscrew the bolts for each L Connector ②①, and install them on the ends of beams (B-1, B-2, B-4); unscrew the bolts pre-installed on the top of the post (A-1, A-2), insert the beam (B-2, B-4) into the post connector, and lock the beam to the post with the unscrewed bolts.





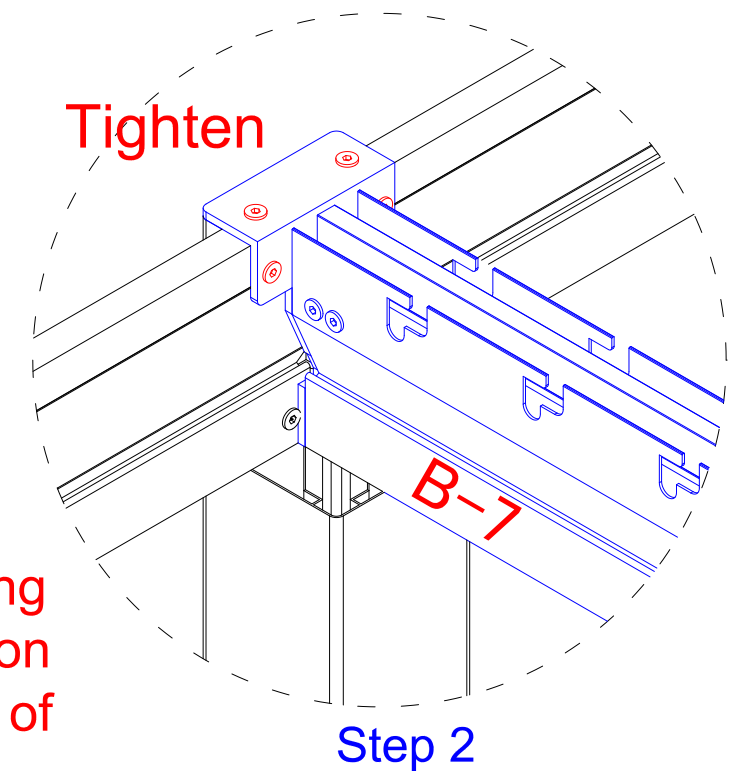
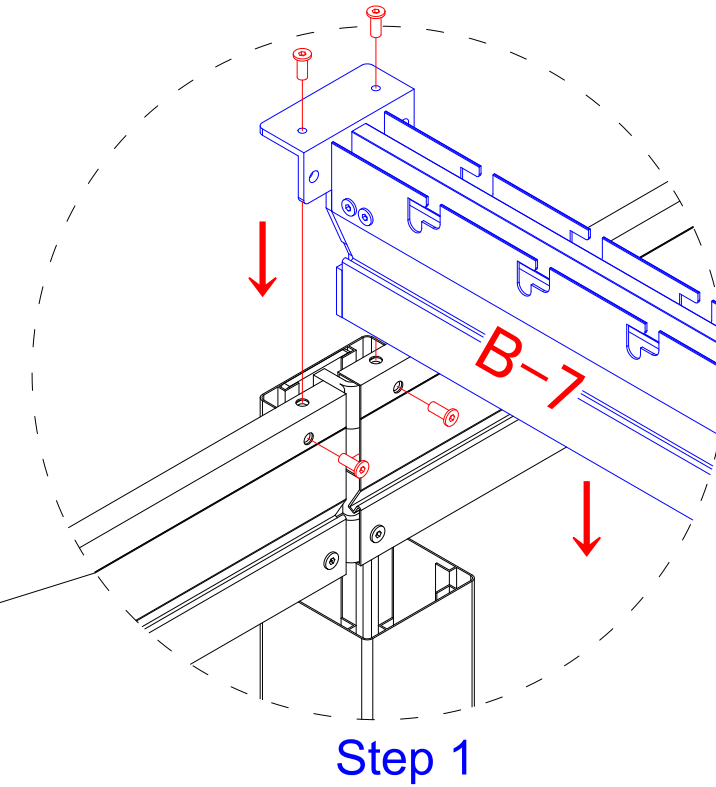
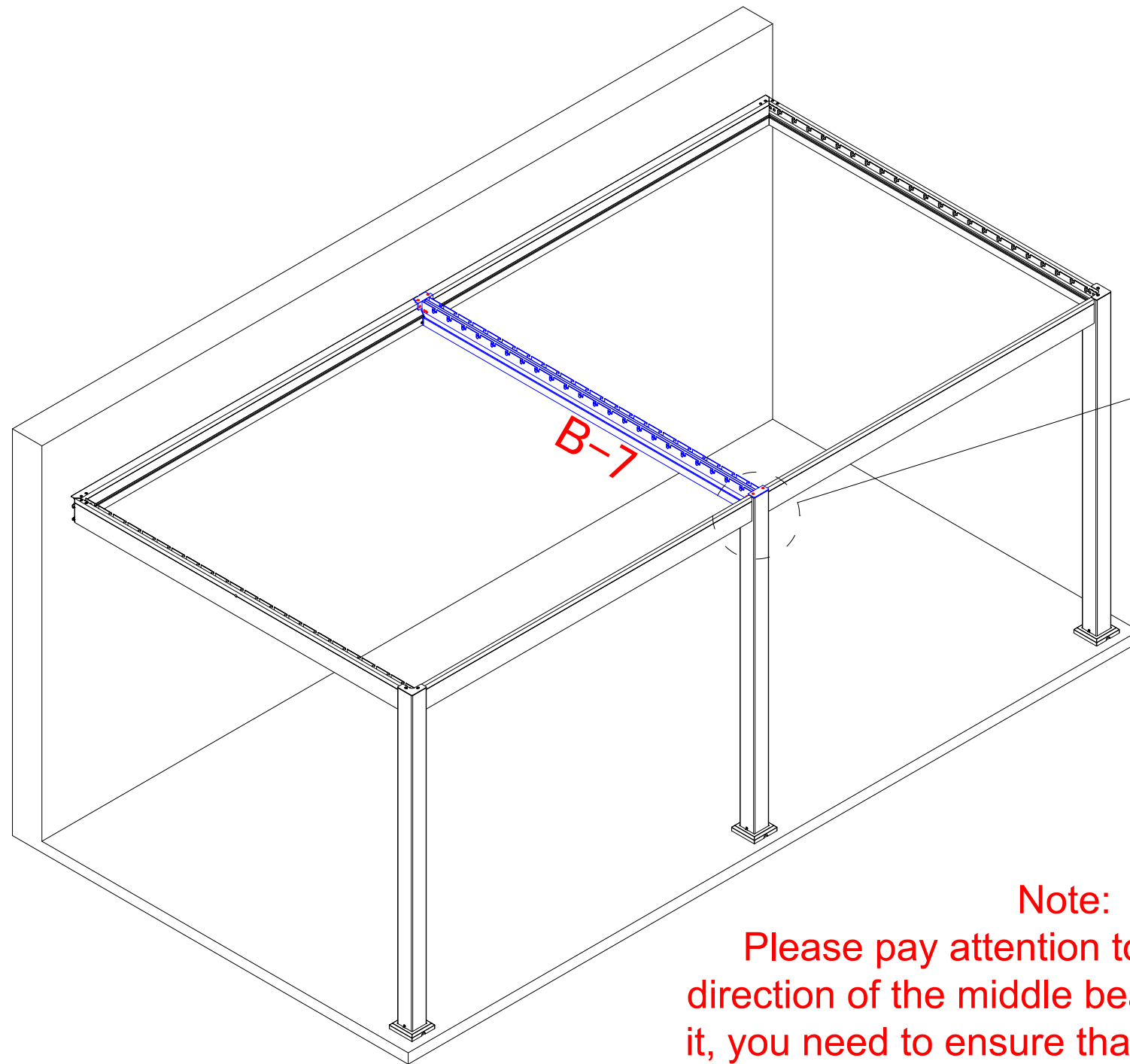
B-7



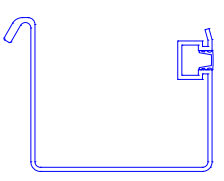
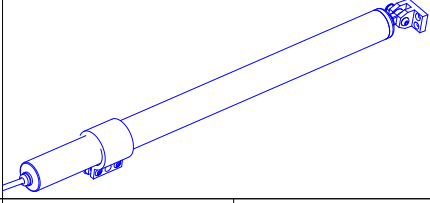
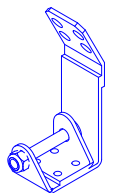
x 1

### Assemble the Framework

6) As shown, fix the Middle Beam B-7 on the framework with bolt.

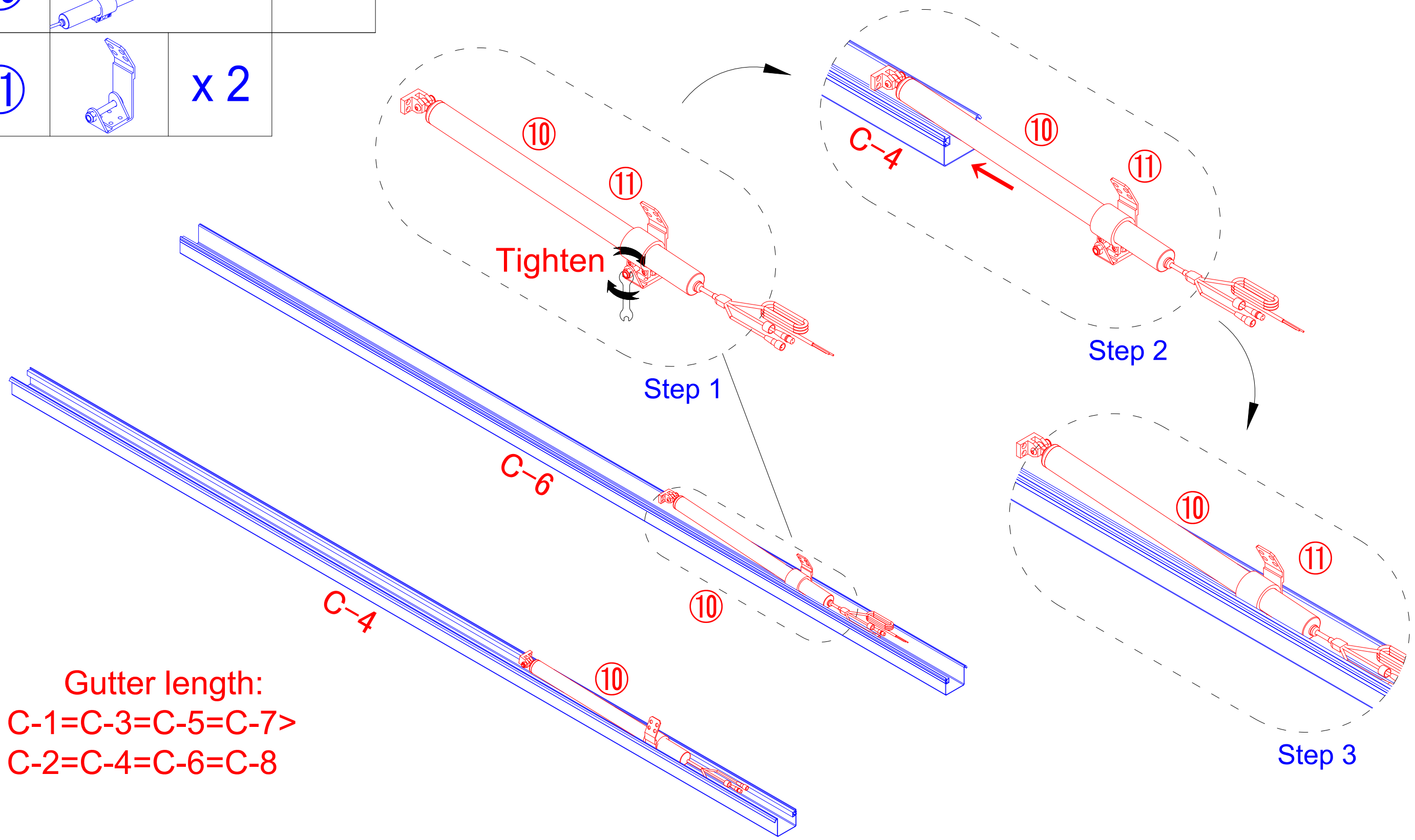


**Note:**  
Please pay attention to the installation direction of the middle beam. When installing it, you need to ensure that the notch direction of the middle beam and the notch direction of the side beam are the same.

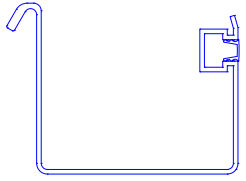
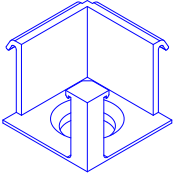
C-4 C-6		x 2
⑩		x 2
⑪		x 2

### Mounting Motor

1) As shown, firstly install the Motor ⑩ on the Motor Bracket ⑪ and then insert them into the long gutter C-4 and C-6.

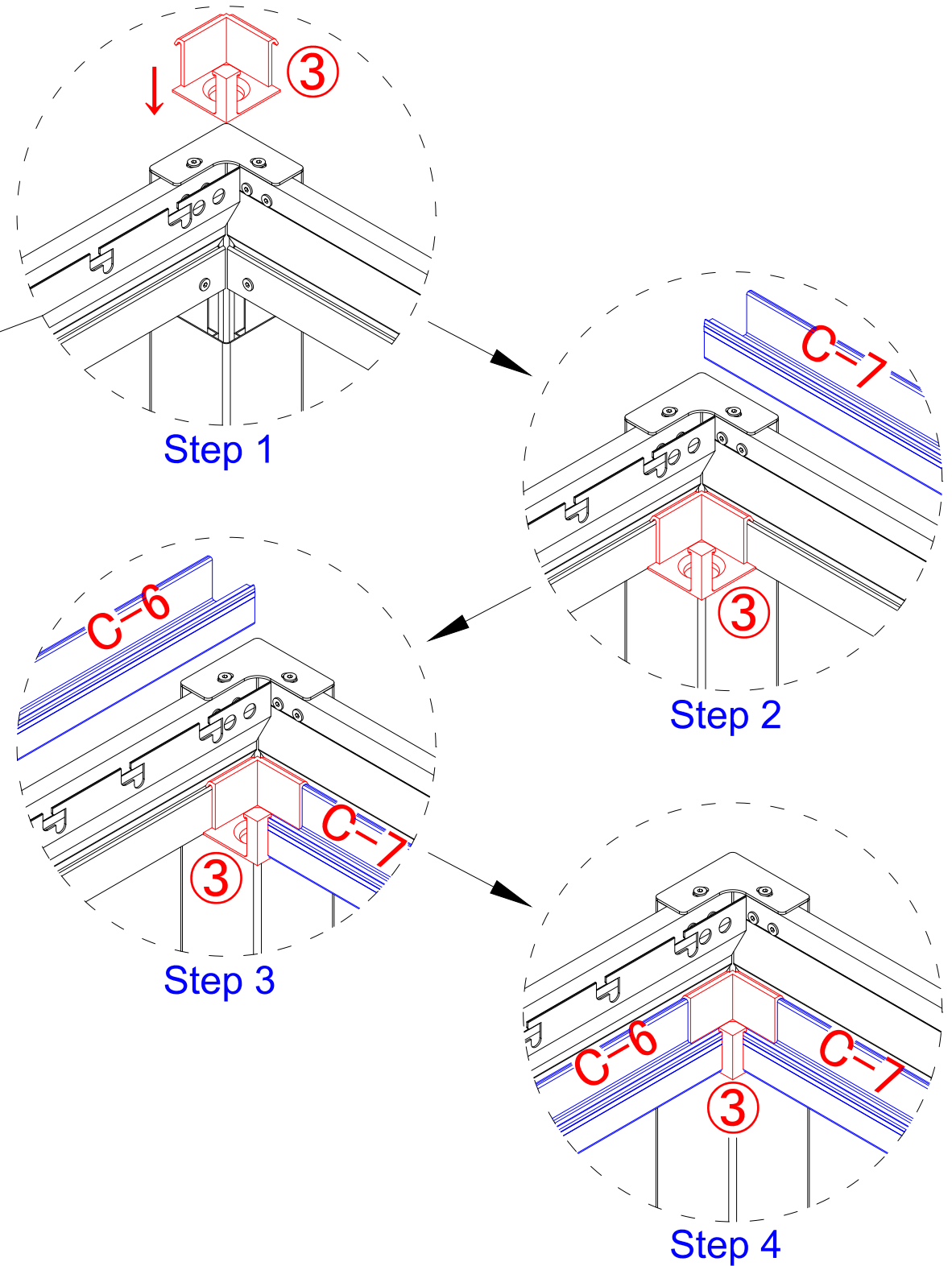
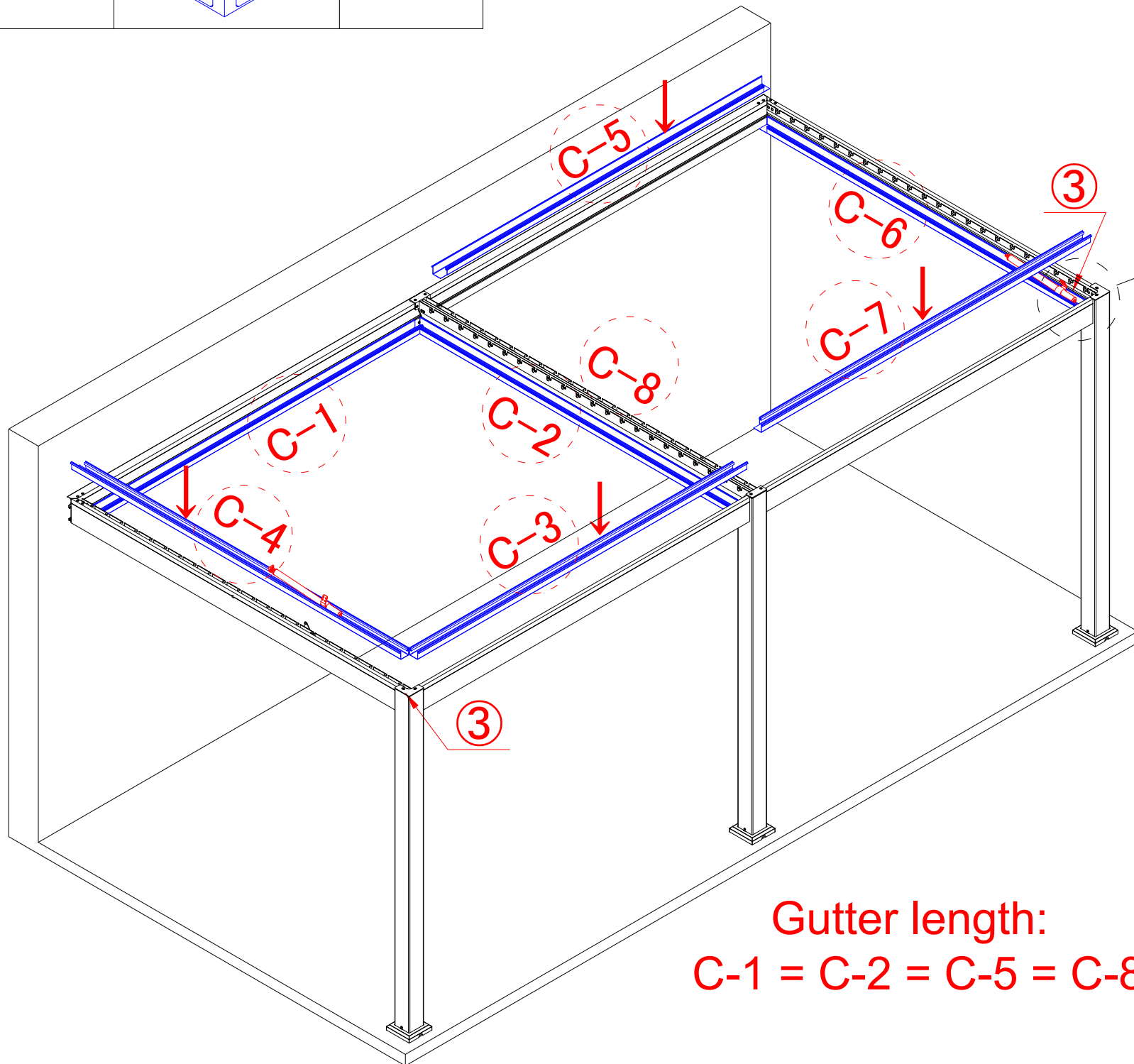


Gutter length:  
 C-1=C-3=C-5=C-7>  
 C-2=C-4=C-6=C-8

C-1 ~ C-8		x 8
③		x 2

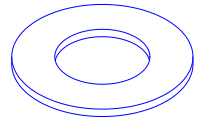
### Installing the Gutter

- 1) Fix the Plastic Fixed Part For Gutter ③ to the beam.
- 2) As shown, hook the gutters to the beam (the gutter has a hook, the beam has a groove), then use the Plastic Fixed Part For Gutter ③ to clamp the gutters (the Plastic Fixed Part For Gutter ③ is soft rubber and can be deformed).



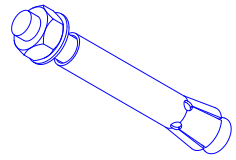
Gutter length:  
C-1 = C-2 = C-5 = C-8

8



x 10

16



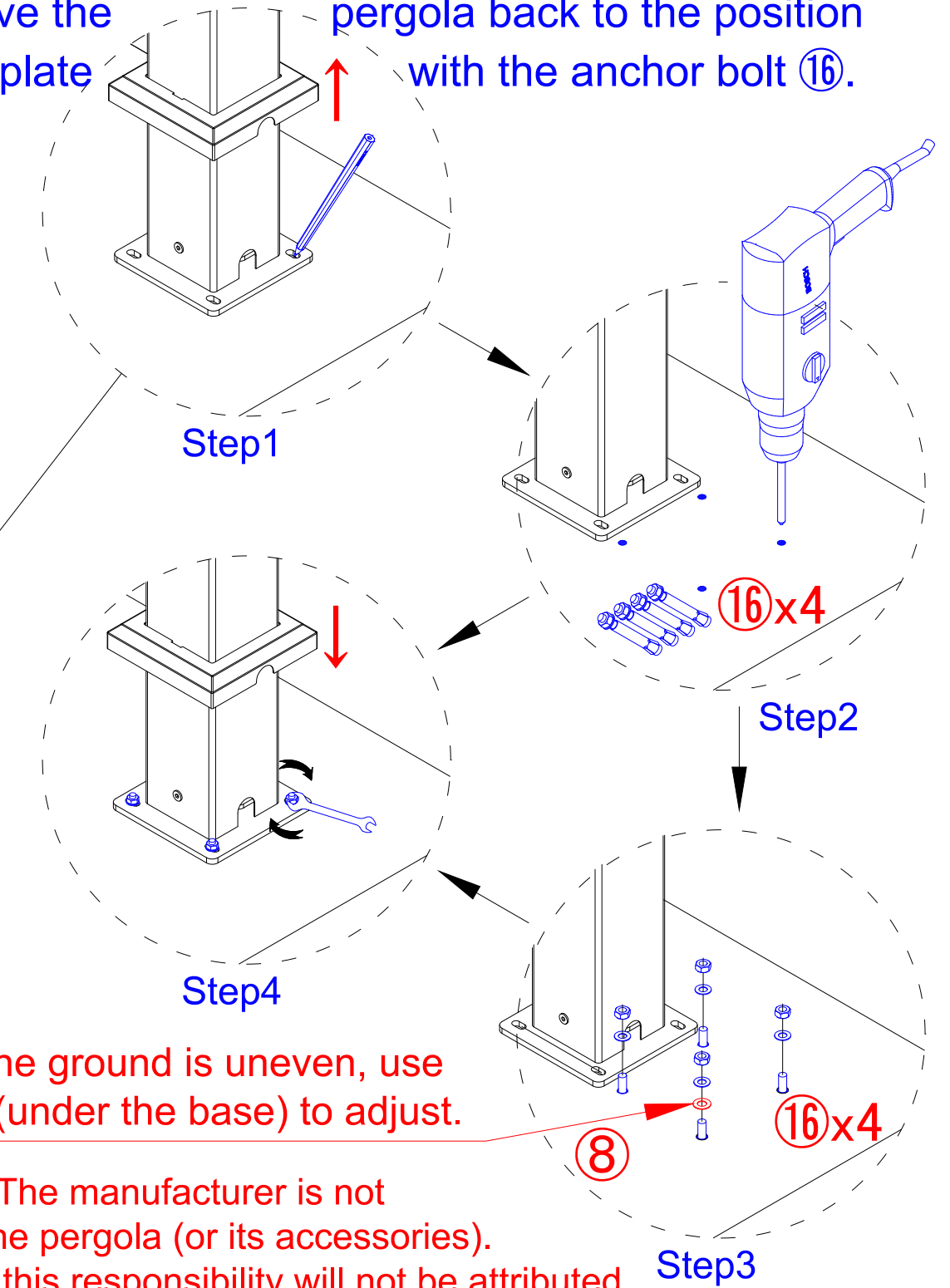
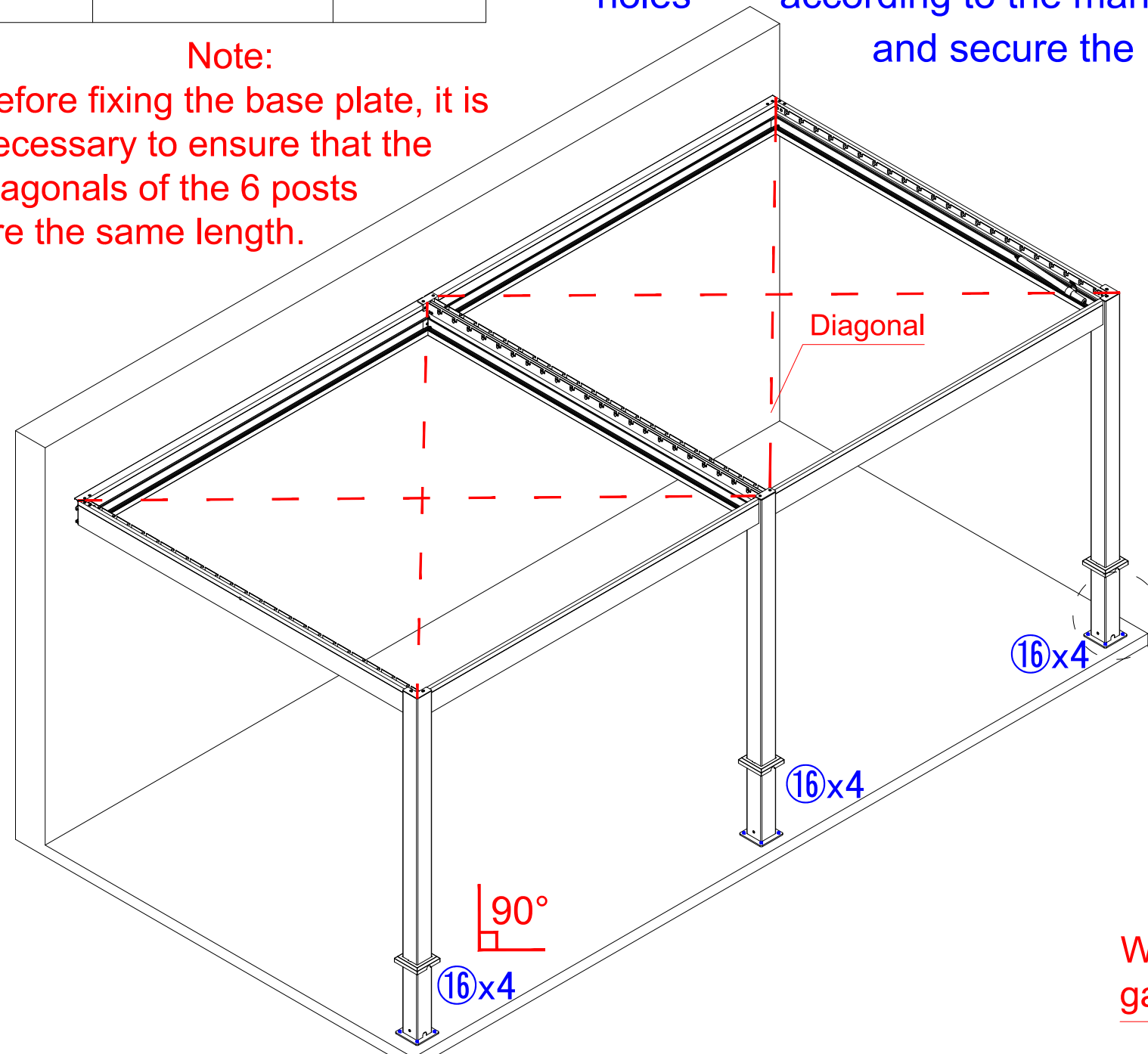
x 12

### Fix Pergola to the Ground

- 1) Use the 12 anchor bolts provided, if the ground is not concrete floor. You will need to find another solution to bolt your pergola down onto your desired surface.
- 2) Move the pergola to the appropriate installation position, then mark the position of the four posts with the pencil, remove the pergola, and use the electric drill to make 12 holes according to the mark. Move the pergola back to the position and secure the base plate with the anchor bolt 16.

#### Note:

Before fixing the base plate, it is necessary to ensure that the diagonals of the 6 posts are the same length.

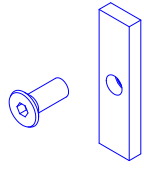
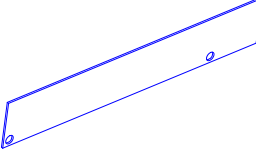


When the ground is uneven, use gasket (under the base) to adjust.



It is the responsibility of the user to ensure that the pergola is fixed down. The manufacturer is not responsible for damage caused by natural disasters or special events to the pergola (or its accessories). Any pergola that is not fixed may be blown away and cause damage, and this responsibility will not be attributed to the manufacturer. Check the pergola regularly to ensure it remains stable and firmly attached to the ground. A pergola that detaches from its position and incurs or causes damage will not be covered under warranty.

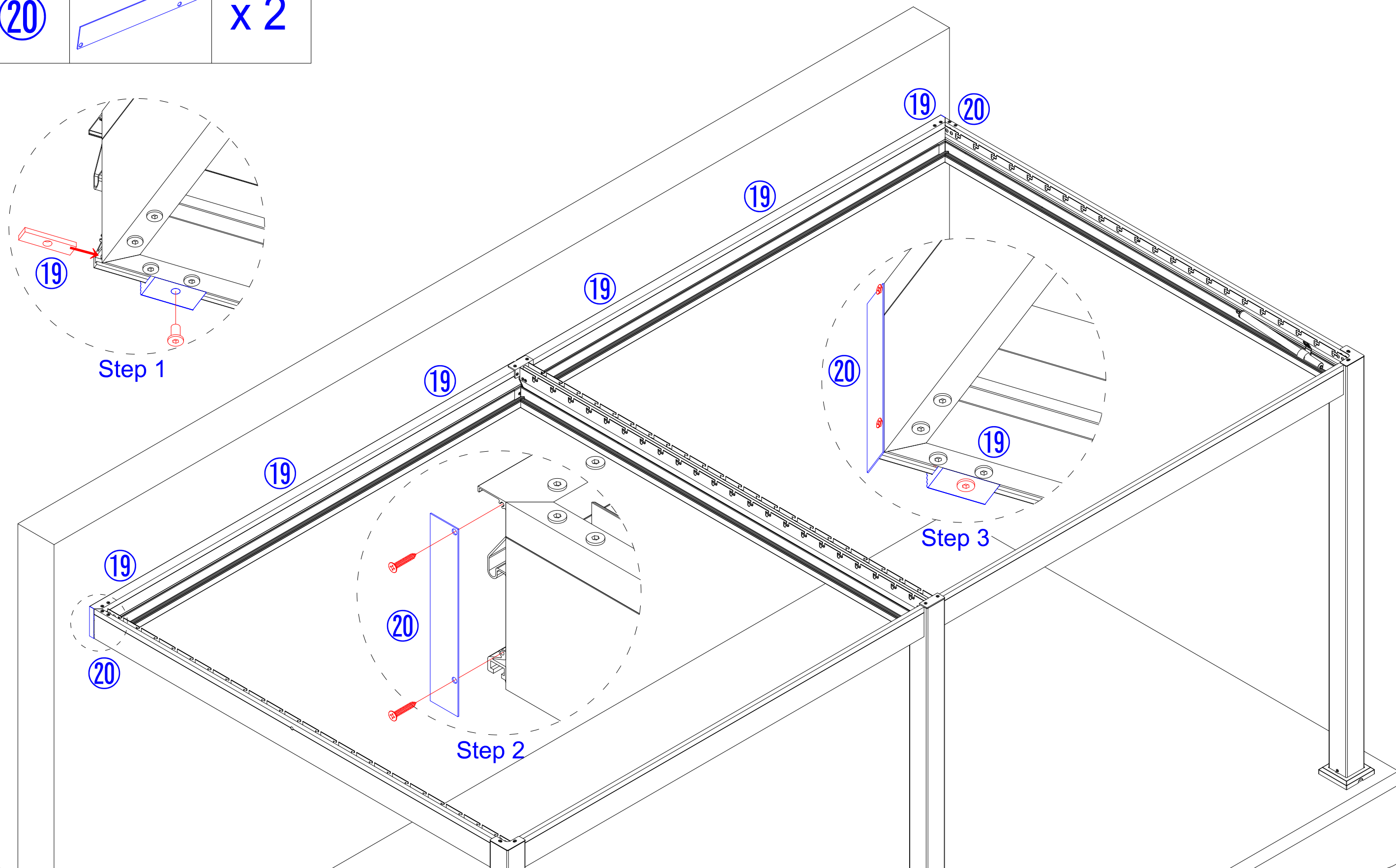


①9		x 6
②0		x 2

### Fix Pergola to the Ground and Wall

3) As shown, fix wall beam B-1 and B-2 with rectangular nut and bolt ①9.

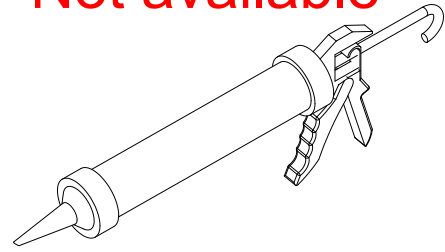
4) Fix the beam cover ②0 to the wall beam B-1.





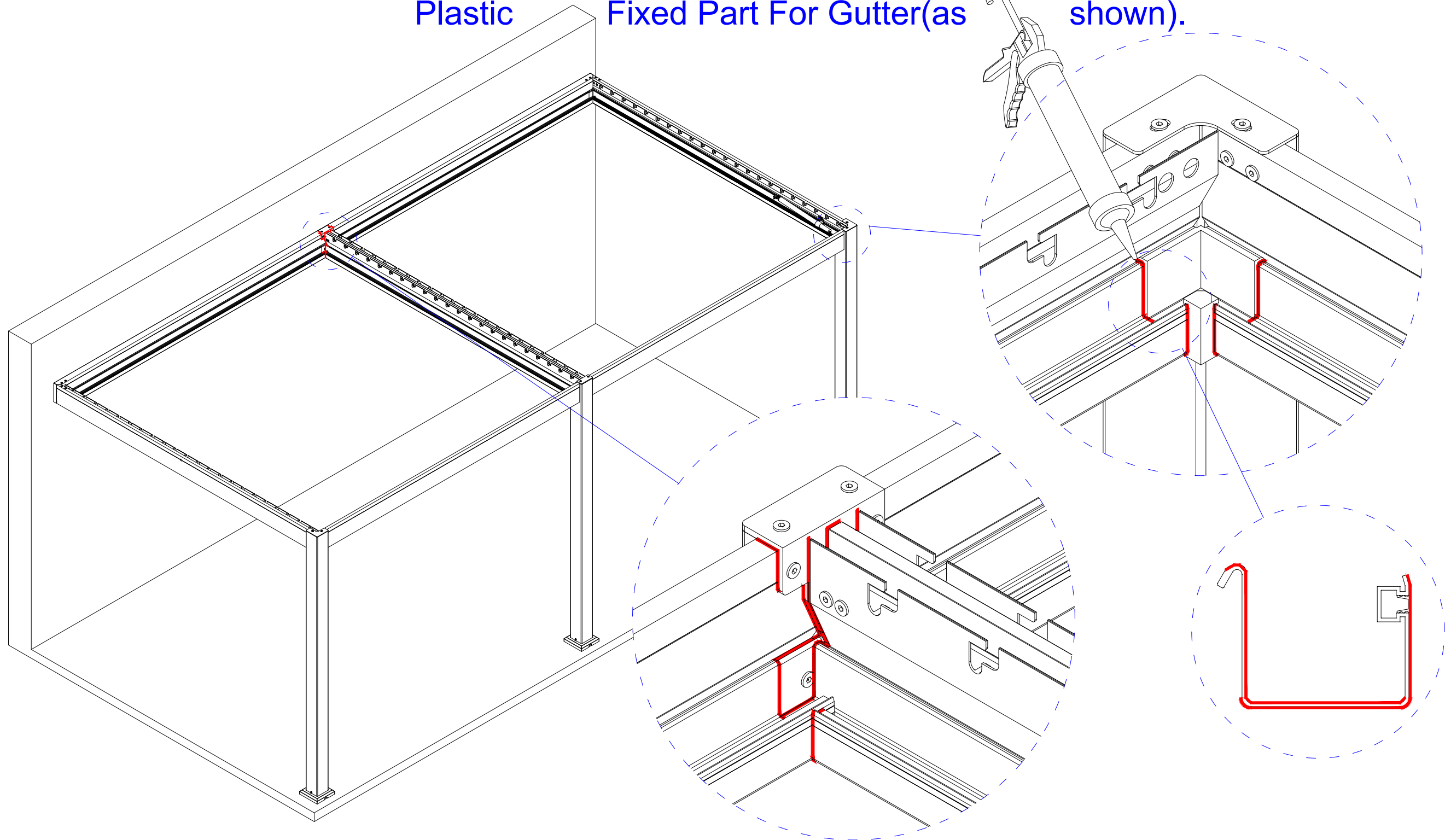


Not available

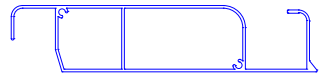


## Increase the Waterproof Performance of Pergola

1) The pergola product itself is waterproof, so the manufacturer does not provide a sealant. Sealing can be done at the owner's discretion to increase the pergolas durability. Sealing position: the inside of the profile joint, the joint between the gutters and the Plastic Fixed Part For Gutter(as shown).



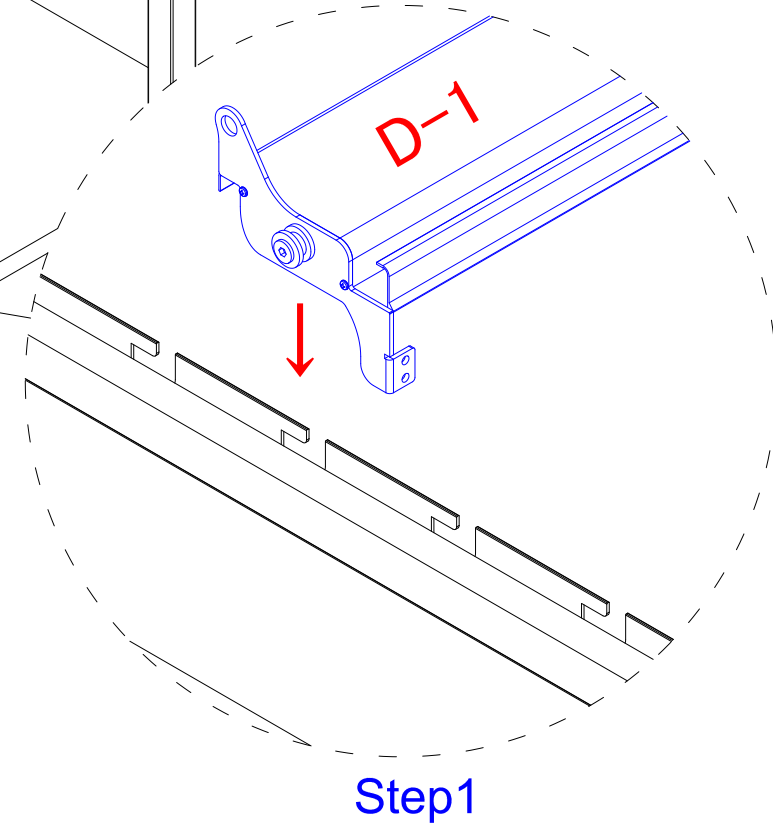
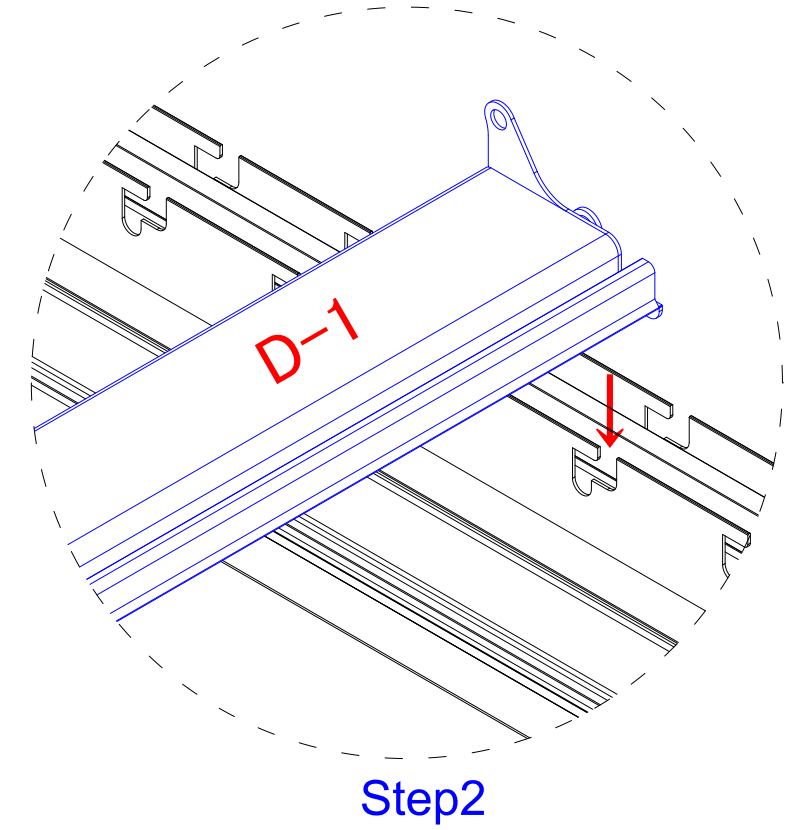
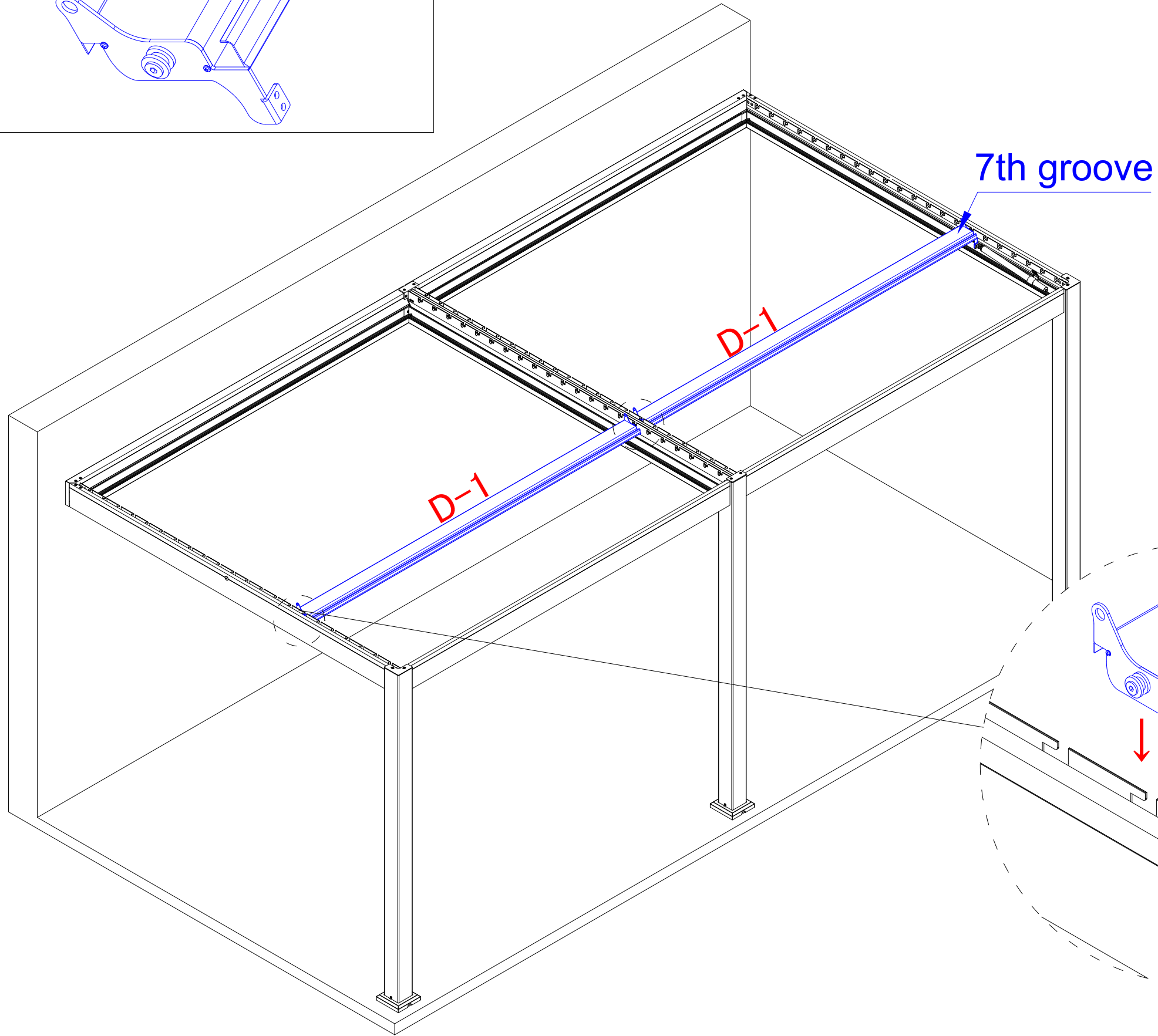
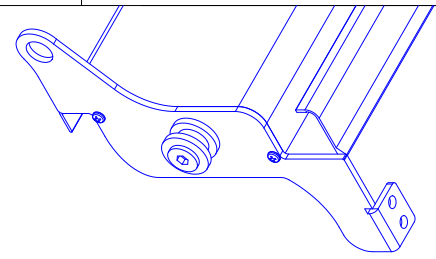
D-1

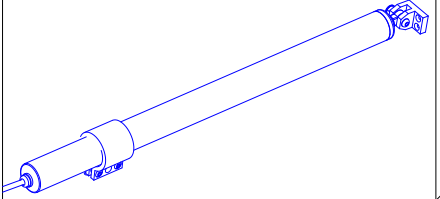
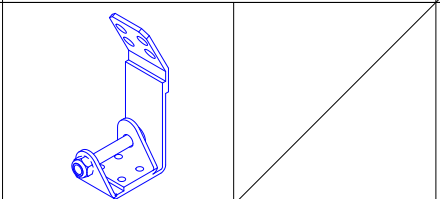
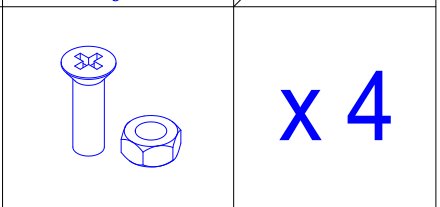


x 2

### Installing Louvre Blades

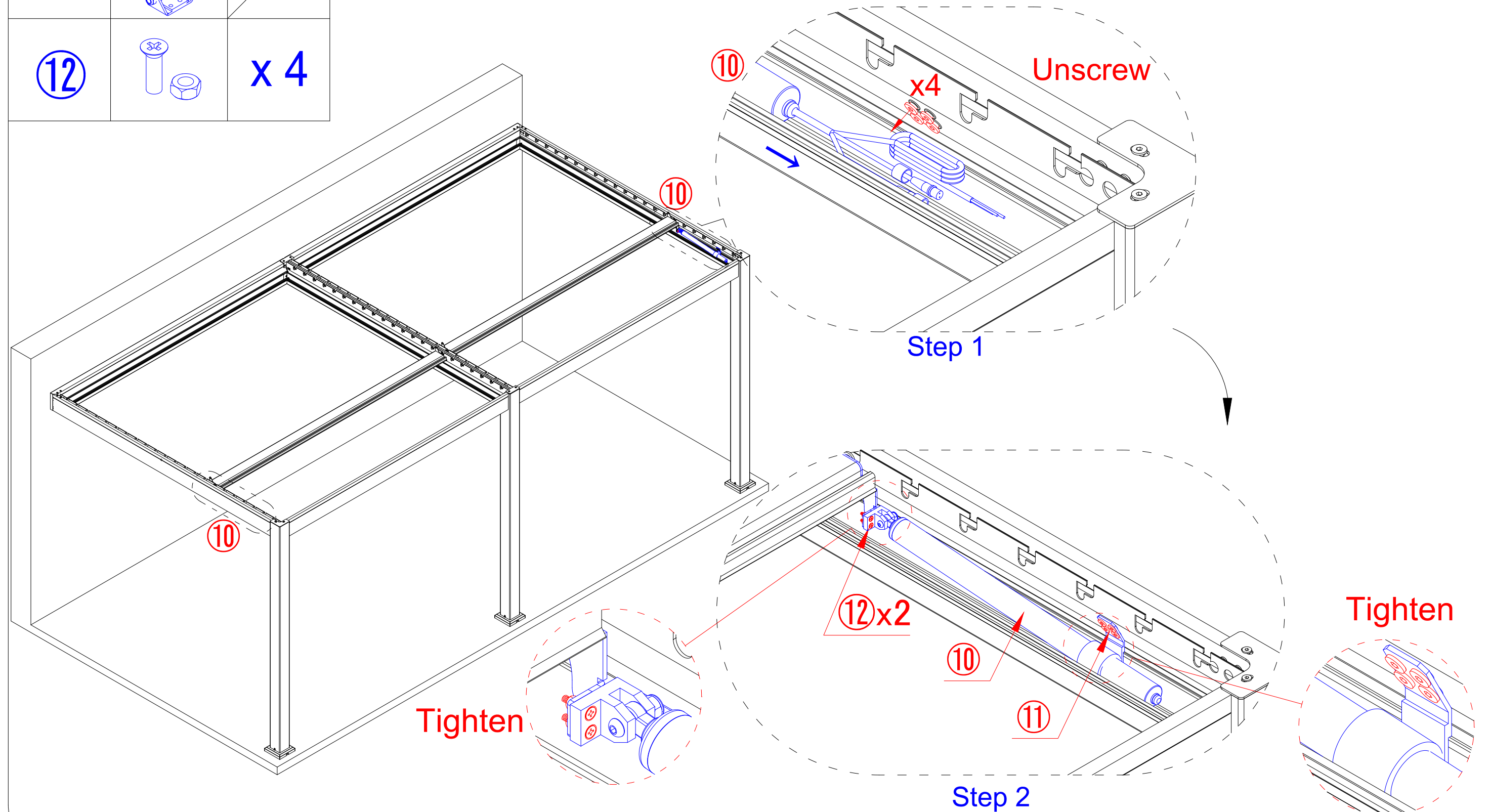
1) As shown, the Driving Blade D-1 clicks directly into the groove.



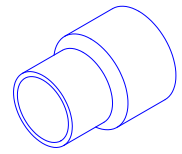
⑩		
⑪		
⑫		x 4

### Mounting Motor

- 2) As shown, unscrew the bolts on the beam, move the motor close to this position and fix the motor bracket ⑪ to the beam with bolts.
- 3) Connect the Motor ⑩ arm bracket to the end cap of Driving Blade D-1.



15

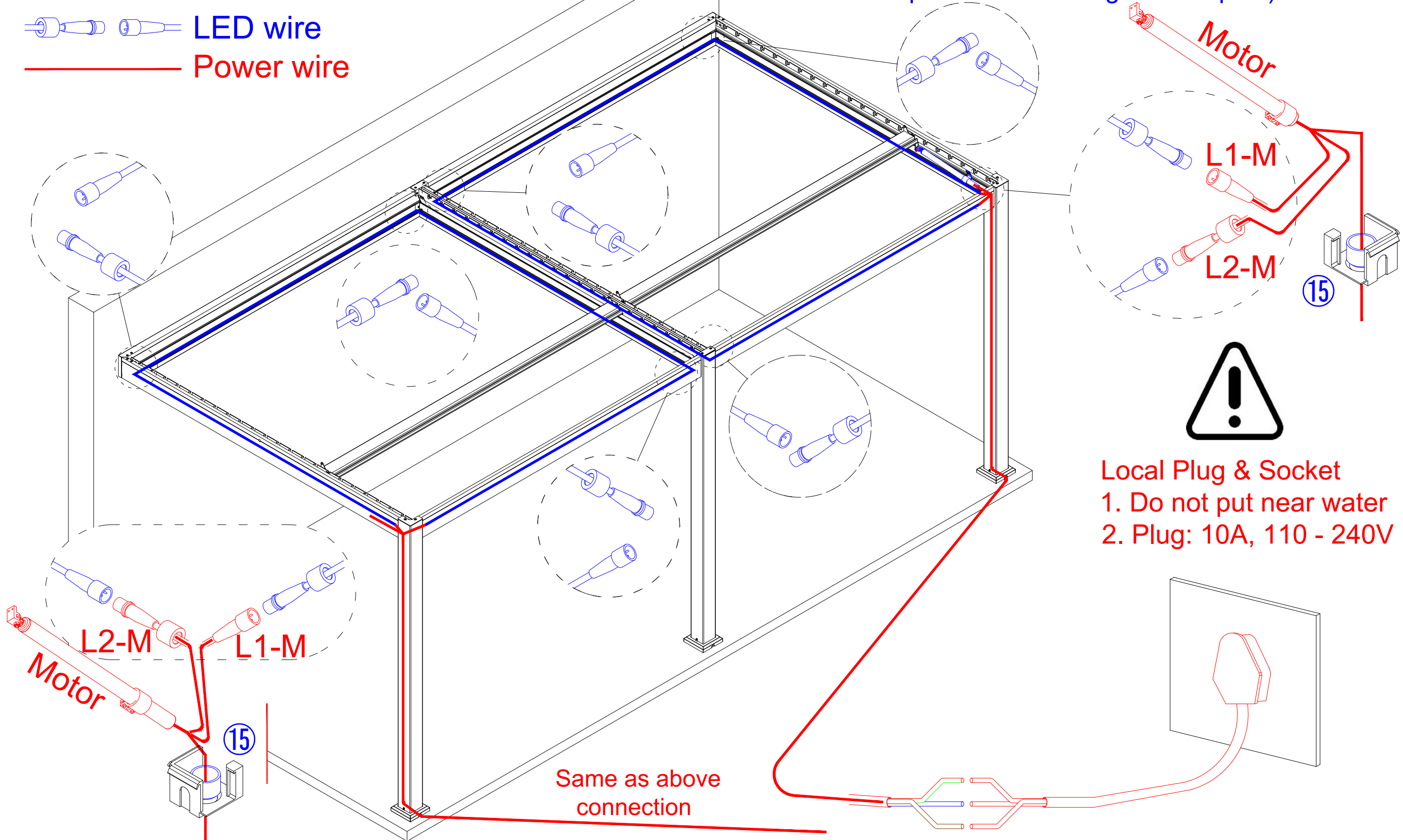


x 2

### Installing Wire

To layout the motor cable, if the wire needs to be hidden inside the post, you can first run the wire through the pipe fitting and then into the post (pipe fitting in Gutter" can keep rain from flowing into the post).

LED wire  
Power wire



Local Plug & Socket  
1. Do not put near water  
2. Plug: 10A, 110 - 240V

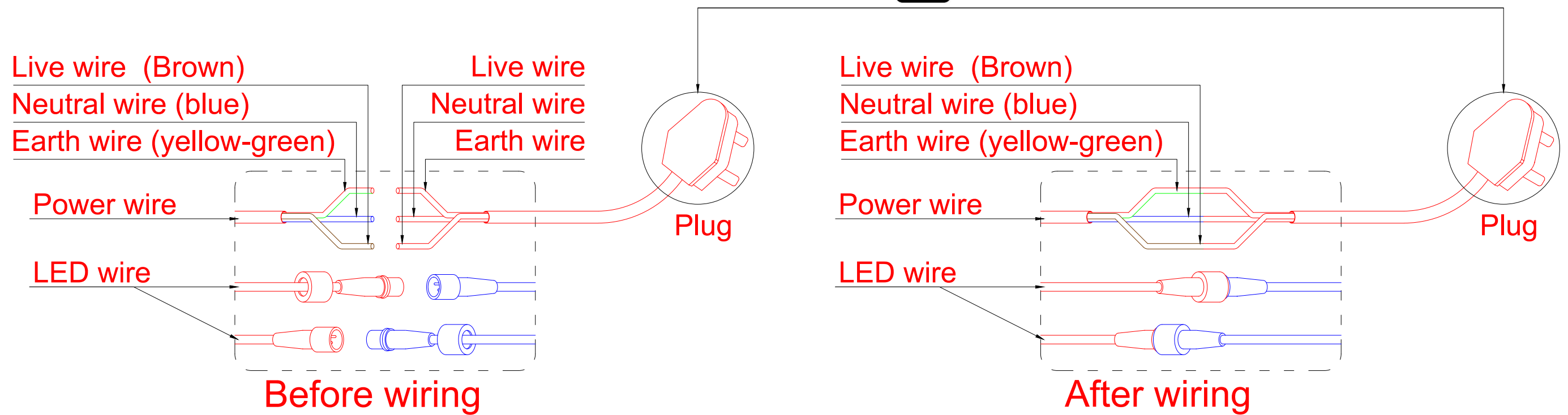




Note: Please follow the steps to connect the wire correctly, otherwise the motor will be faulty.

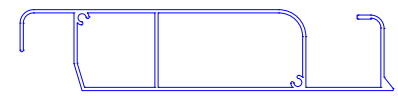


The plug is not supplied

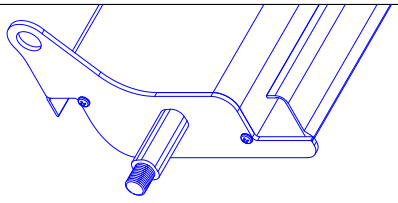




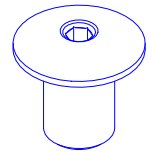
D-2



x 2



7

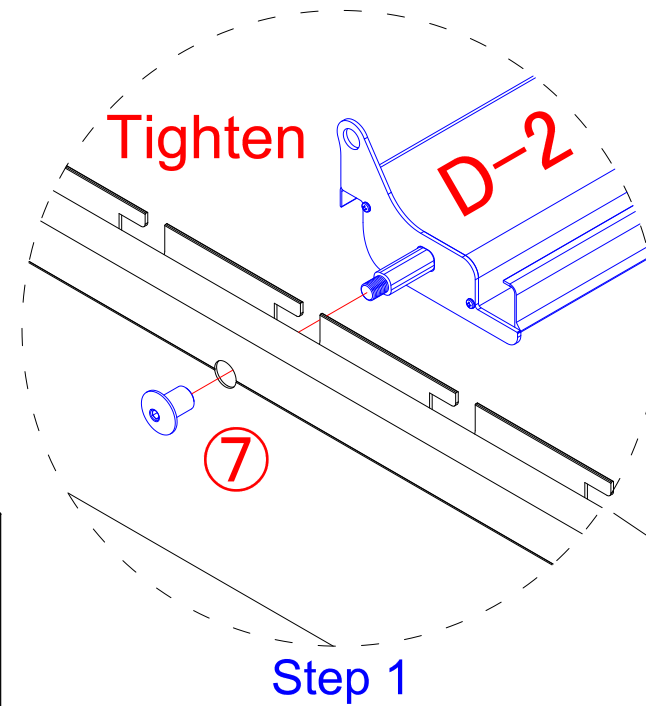
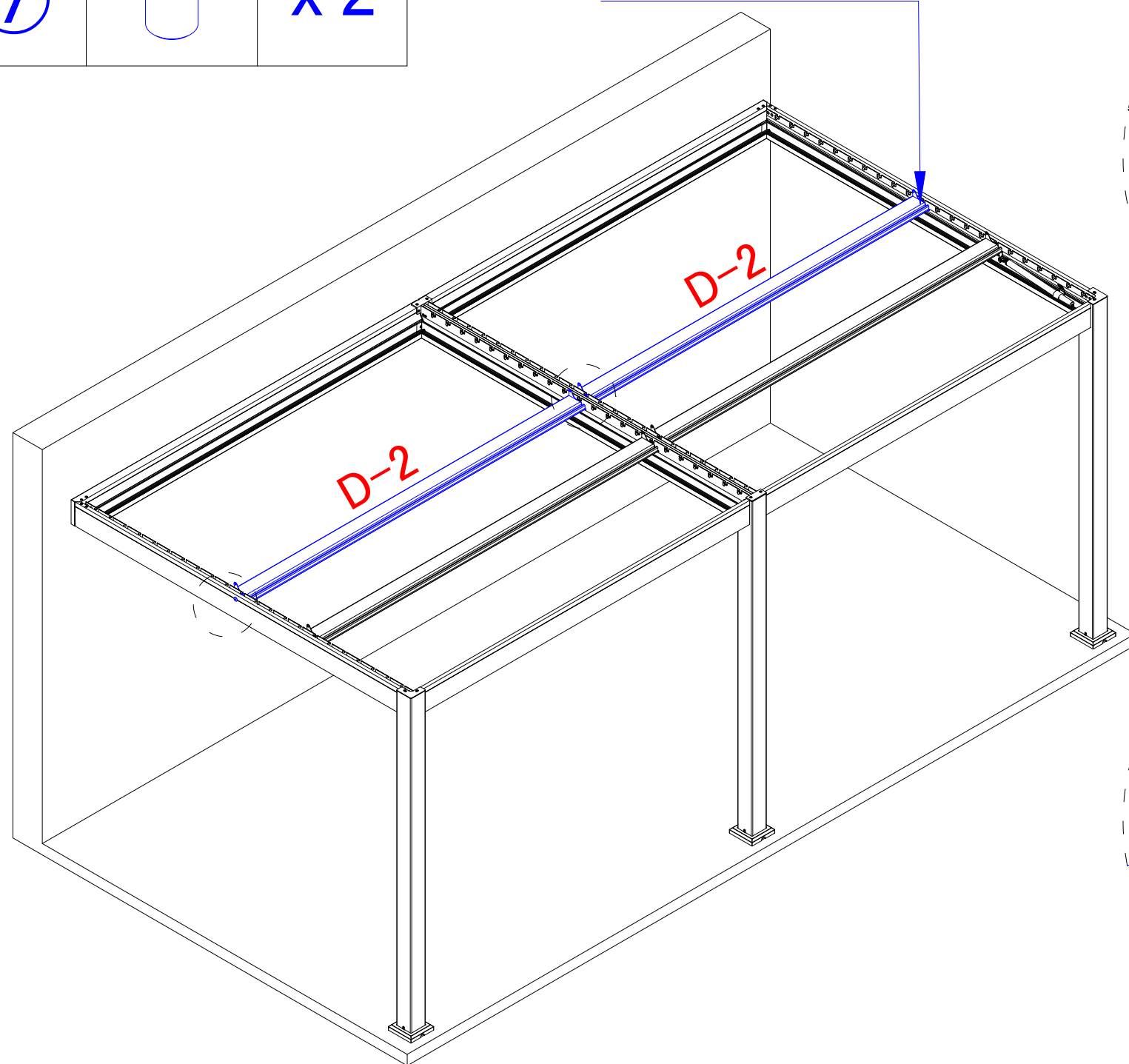


x 2

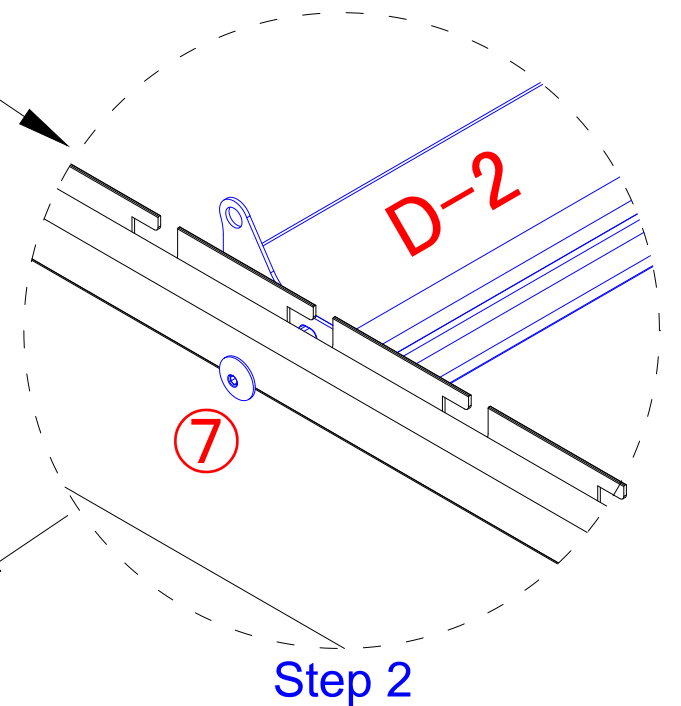
### Installing Louvre Blades

1) As shown, pass the Strengthen pivot pin (on the Strengthen Blade D-2) across the beam and lock with M10 Screw Cap ⑦. The other end of Strengthen Blade D-2 clicks directly into the groove.

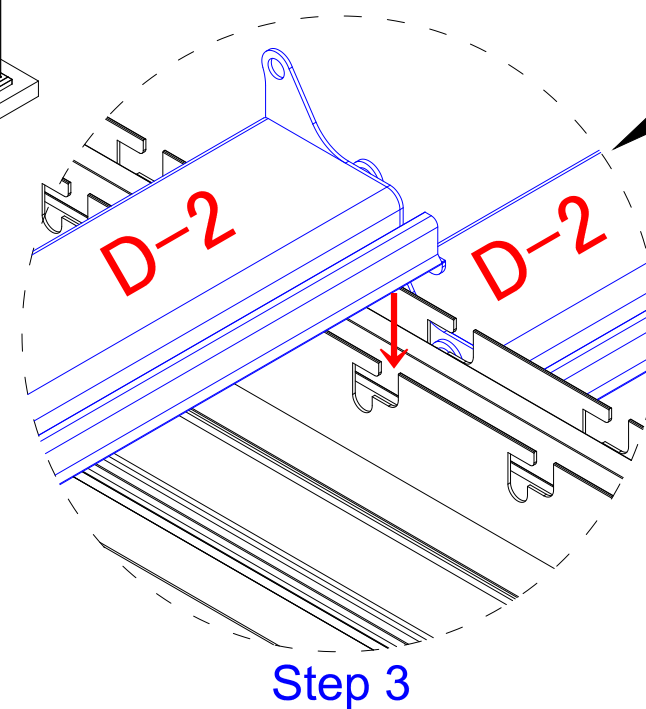
Middle position



Step 1

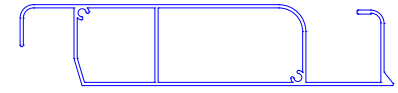


Step 2



Step 3

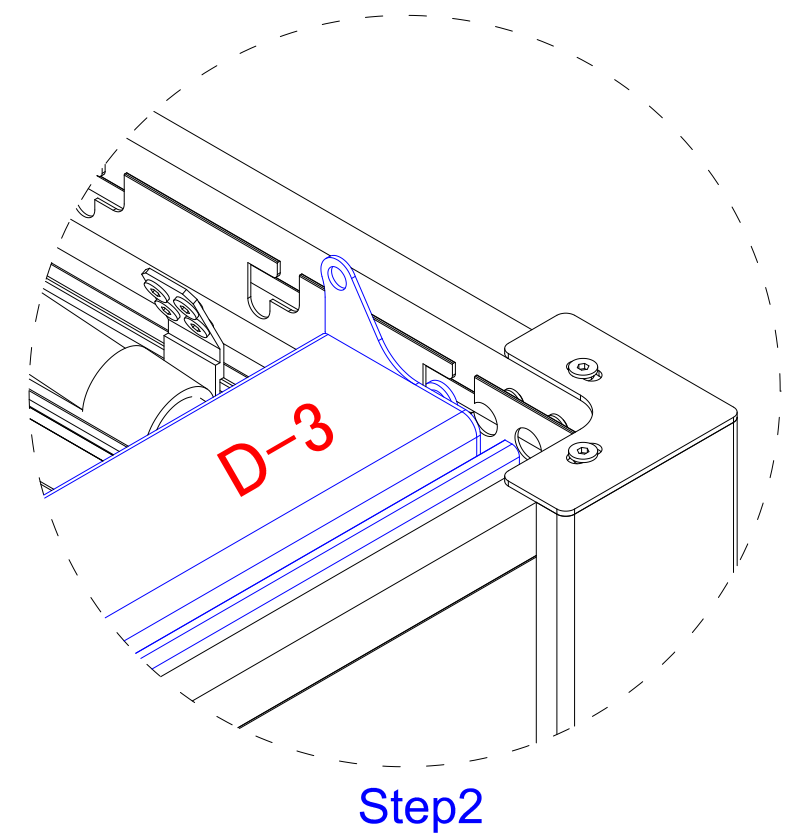
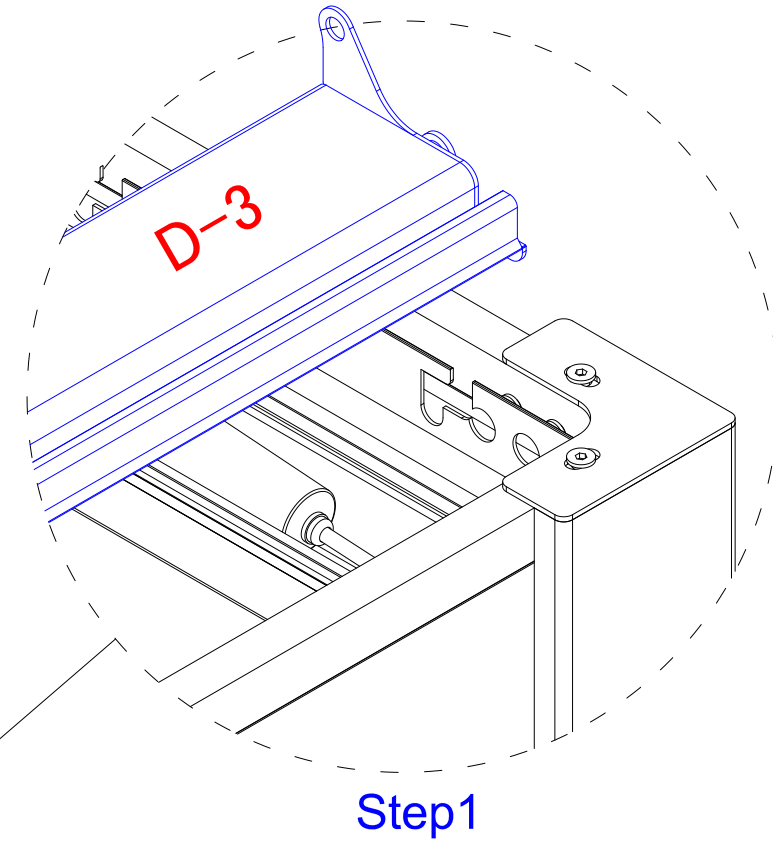
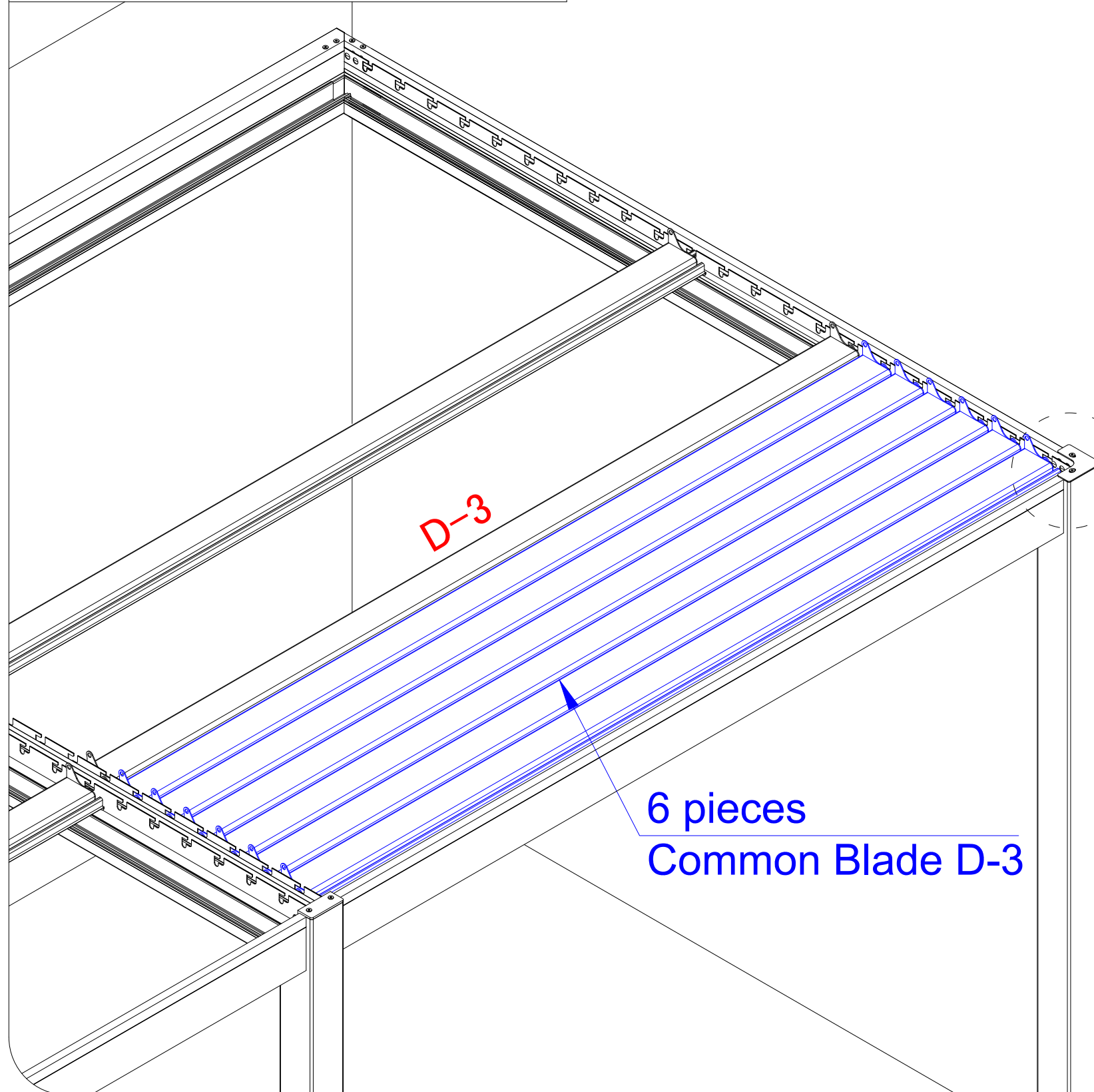
D-3


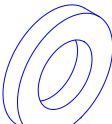
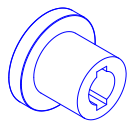
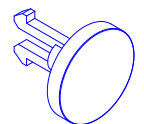


x 6

### Installing Louvre Blades

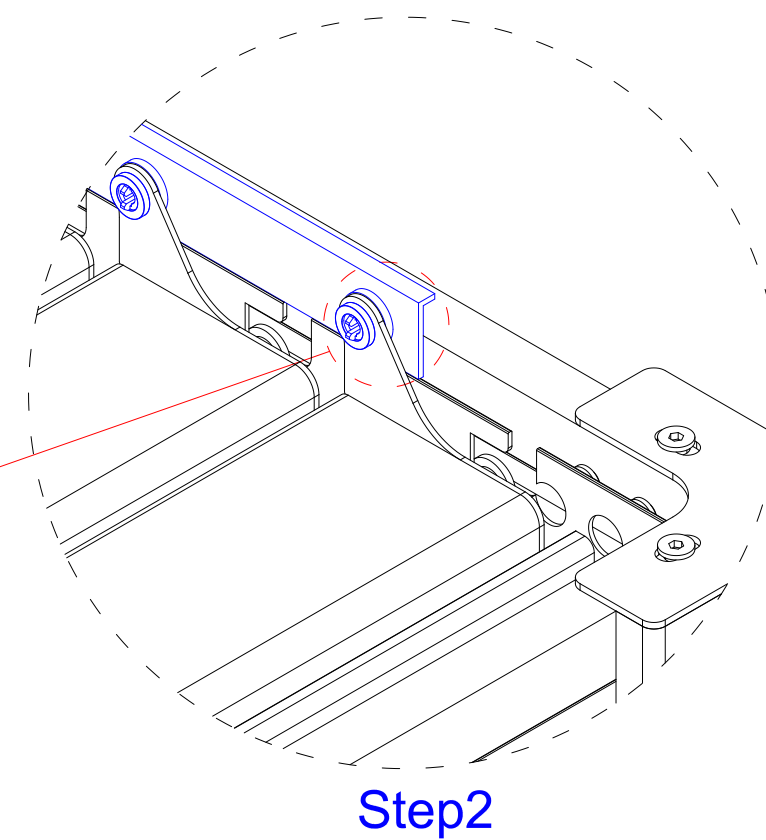
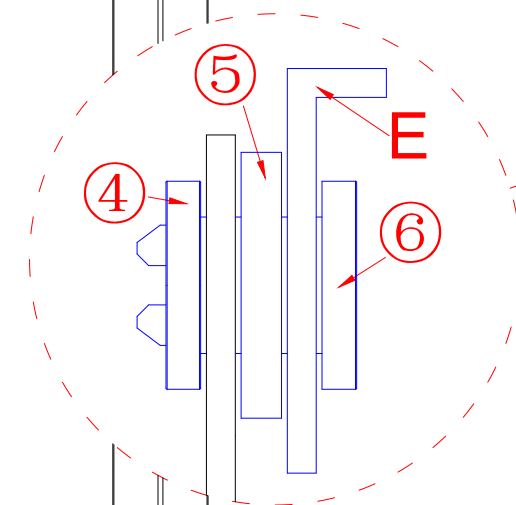
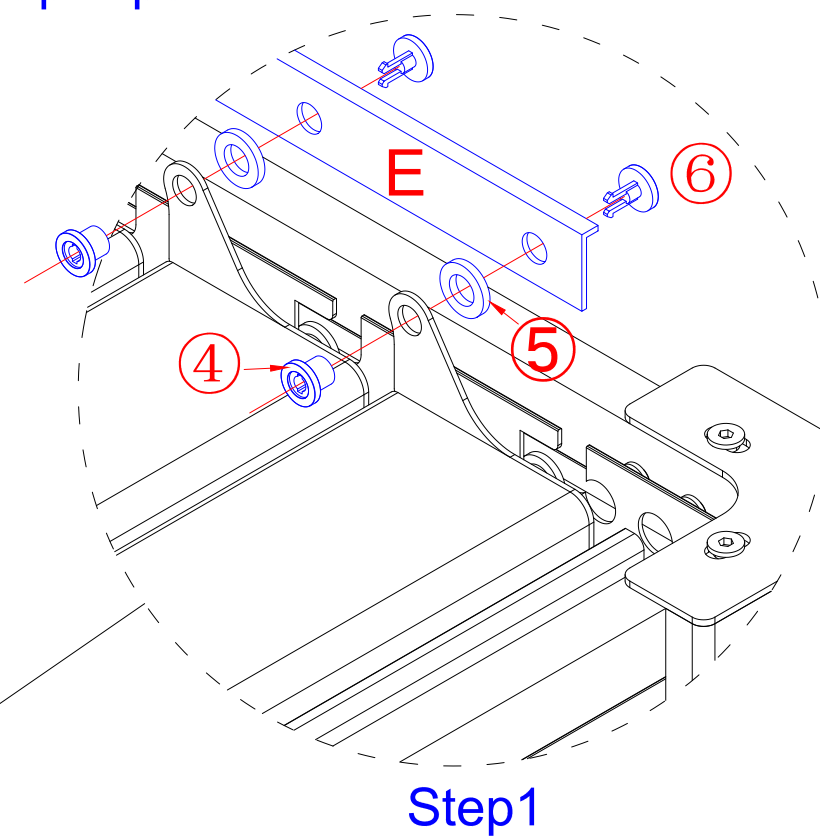
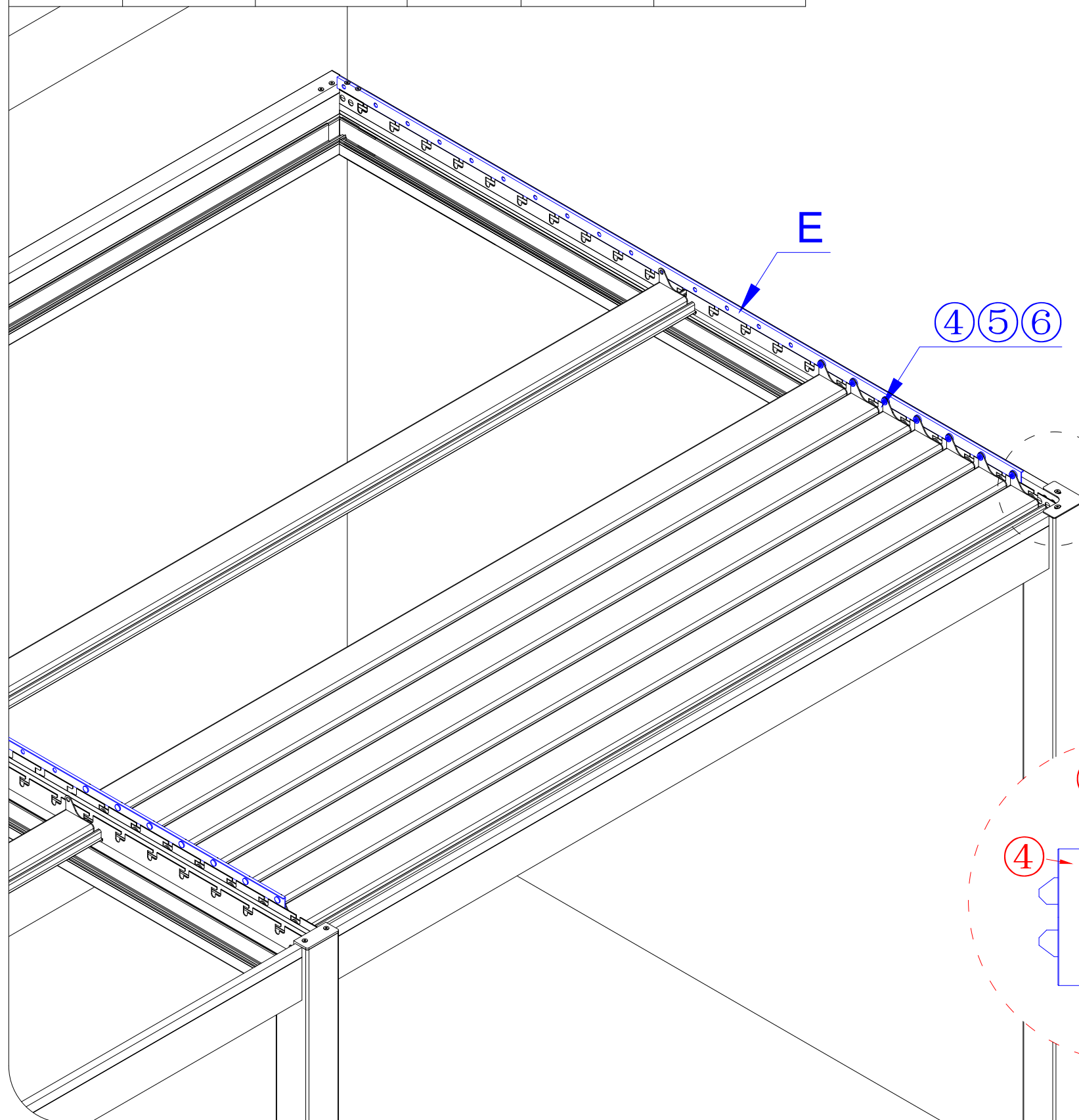
3) As shown, the Common Blade D-3 clicks directly into the groove.


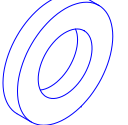
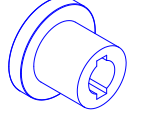
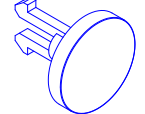


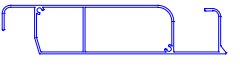
E		x 2	⑤		x 14
④		x 14	⑥		x 14

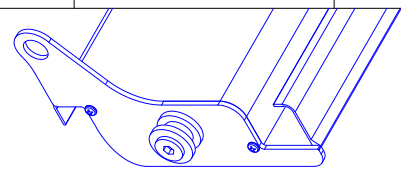
### Installing Louvre Blades

4) As shown, pass the "Clips" through the holes (Control Rod → Plastic Spacer → Blade cap), and tighten with "Cap clips".



E			⑤		x 32
④		x 32	⑥		x 32

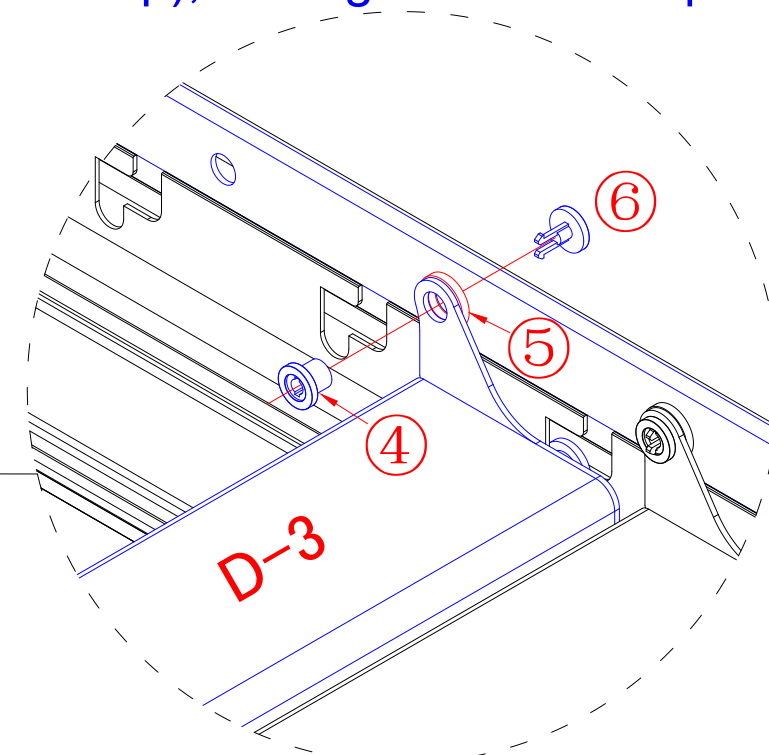
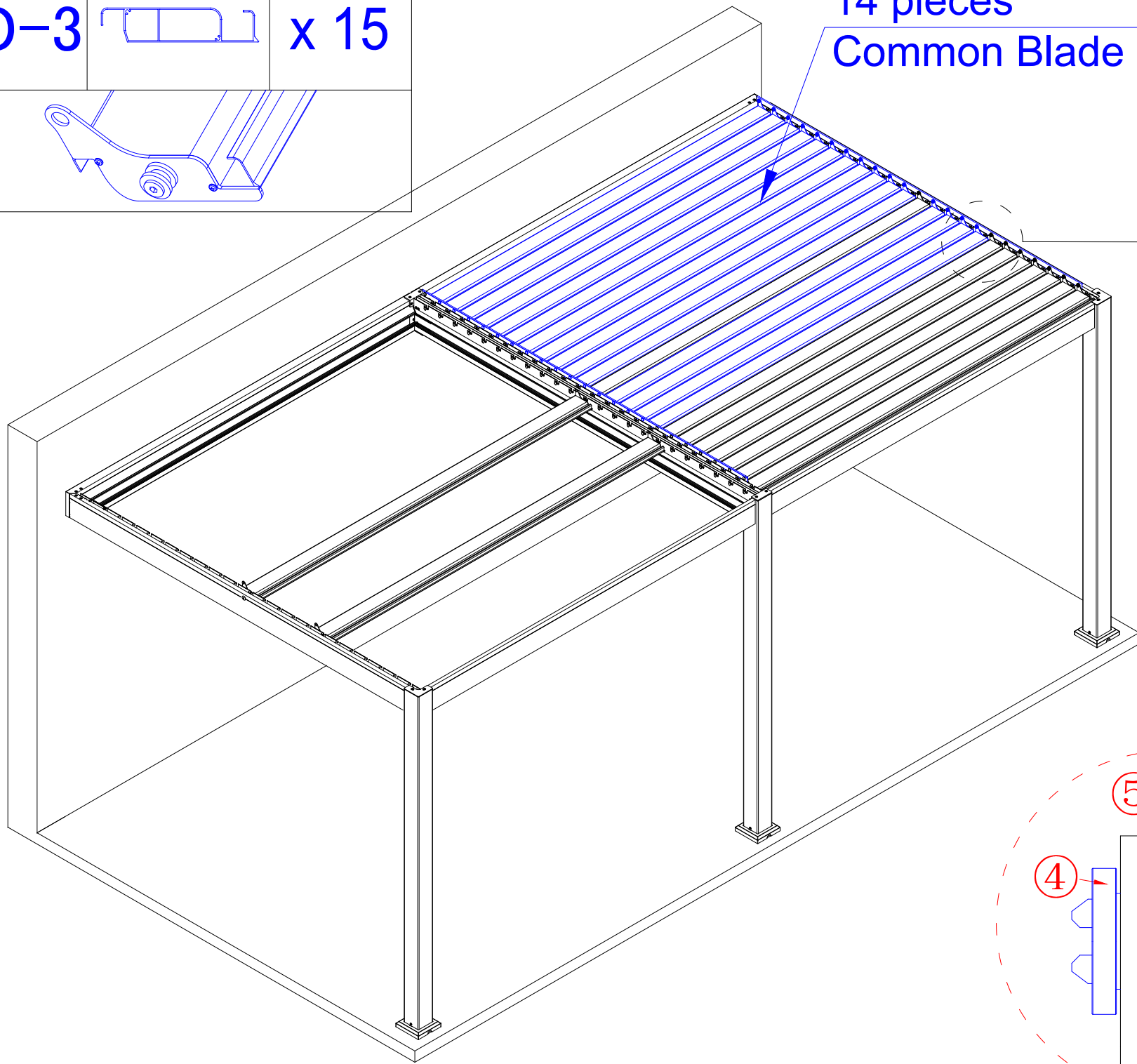
D-3  x 15



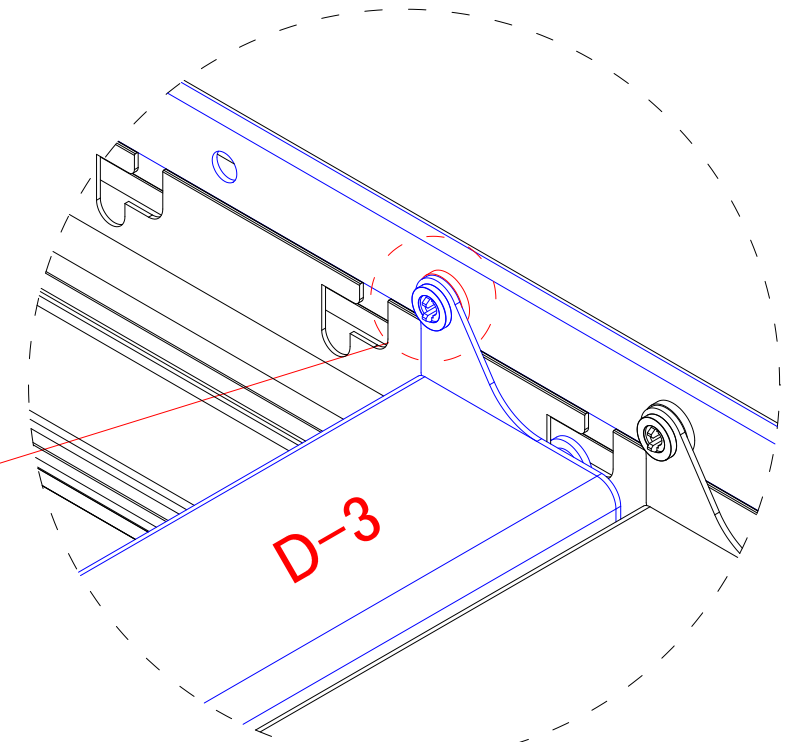
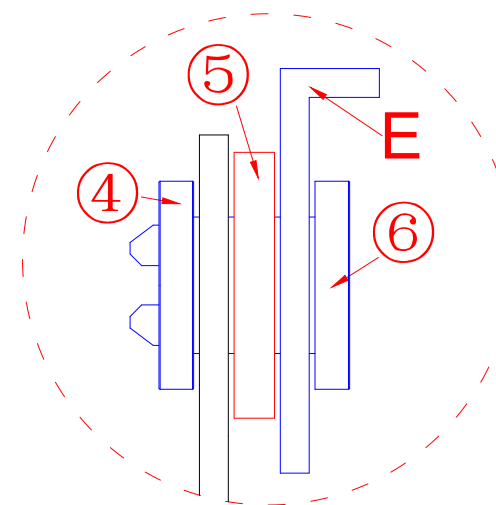
### Installing Louvre Blades

5) As shown, the Common Blade D-3 clicks directly into the groove, then pass the "Clips" through the holes (Control Rod → Plastic Spacer → Blade cap), and tighten with "Cap clips".

14 pieces  
Common Blade D-3

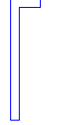
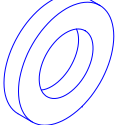
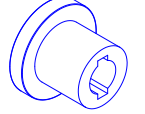
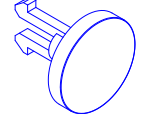


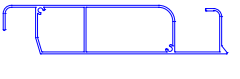
Step1

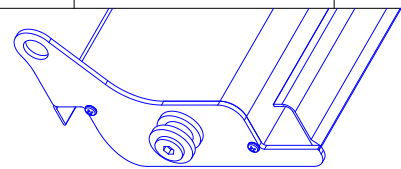


Step2

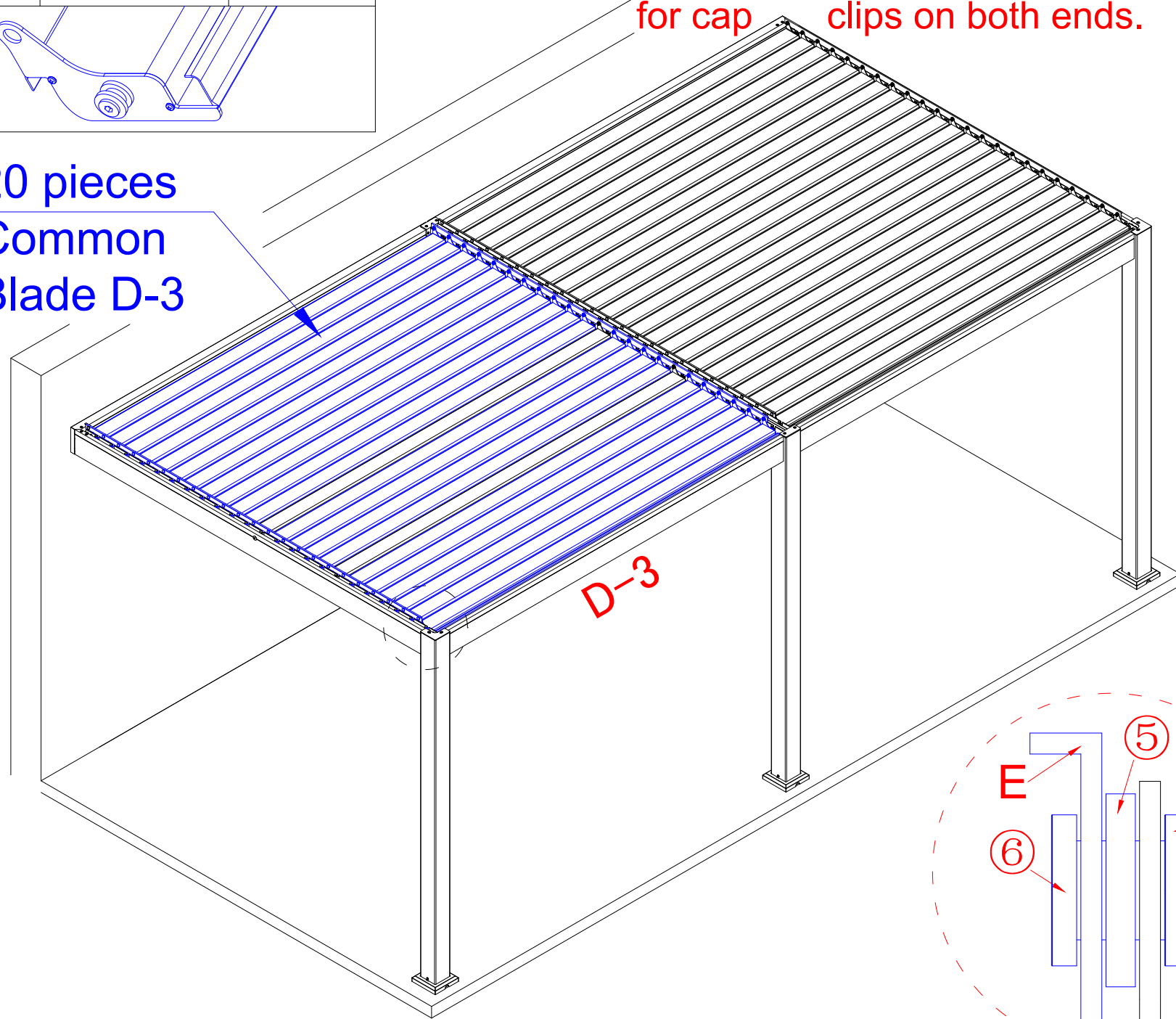


E		x 2	⑤		x 44
④		x 44	⑥		x 44

D-3		x 20
-----	---	------



20 pieces  
Common  
Blade D-3

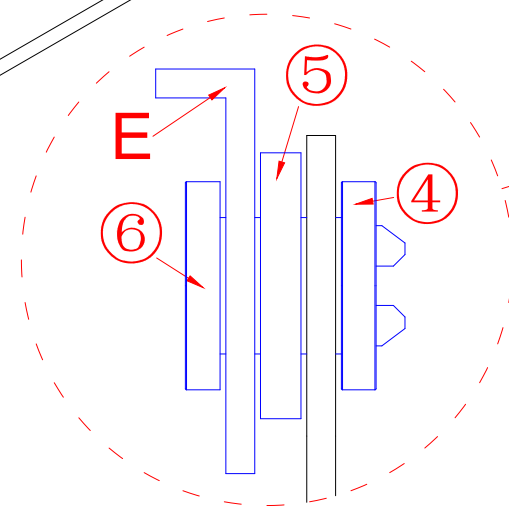
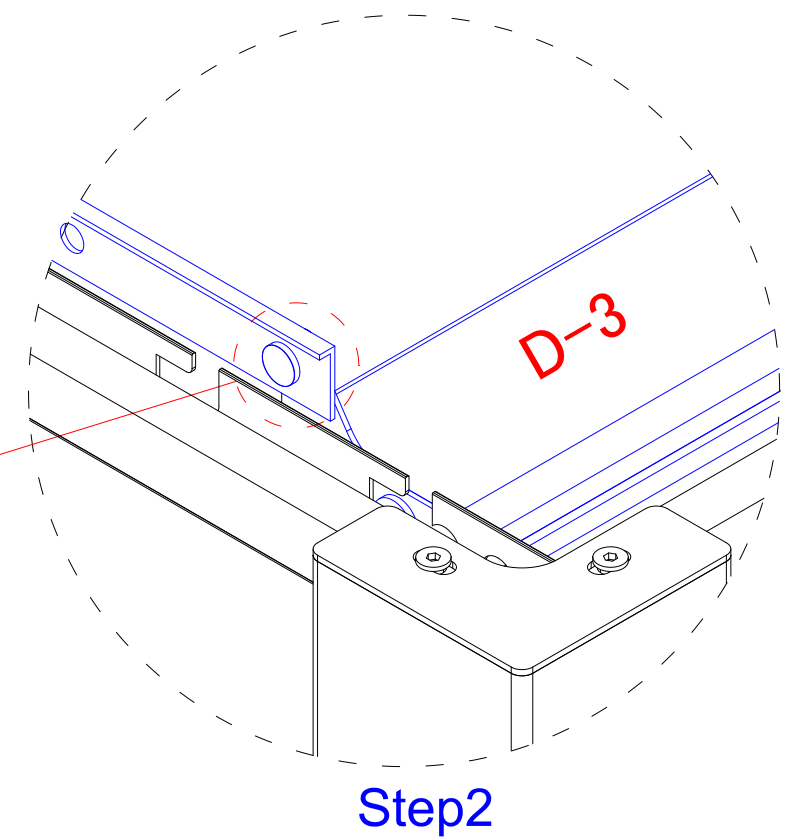
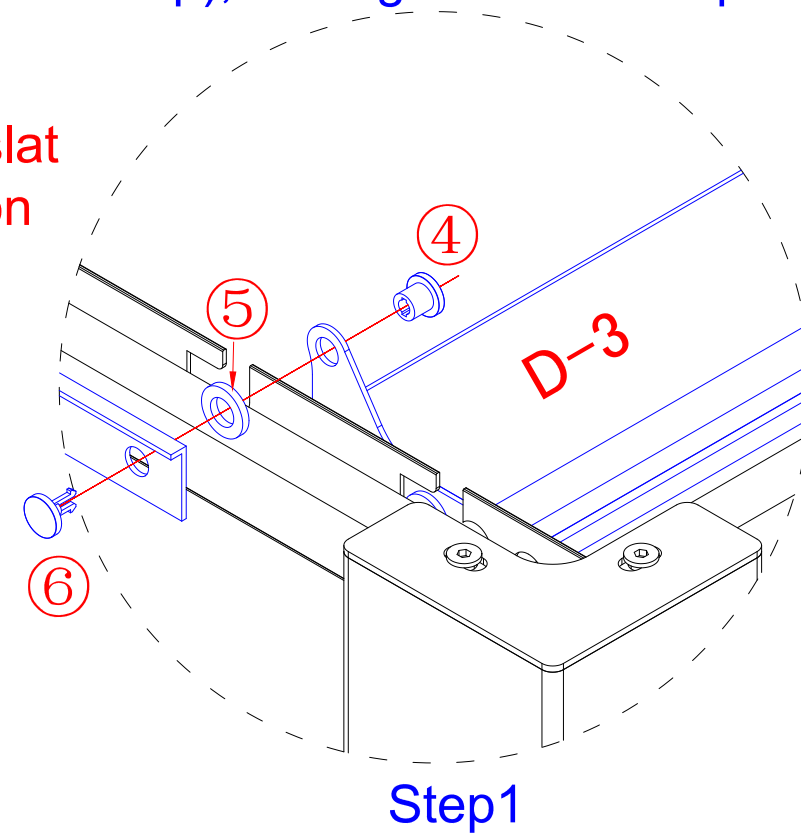


### Installing Louvre Blades

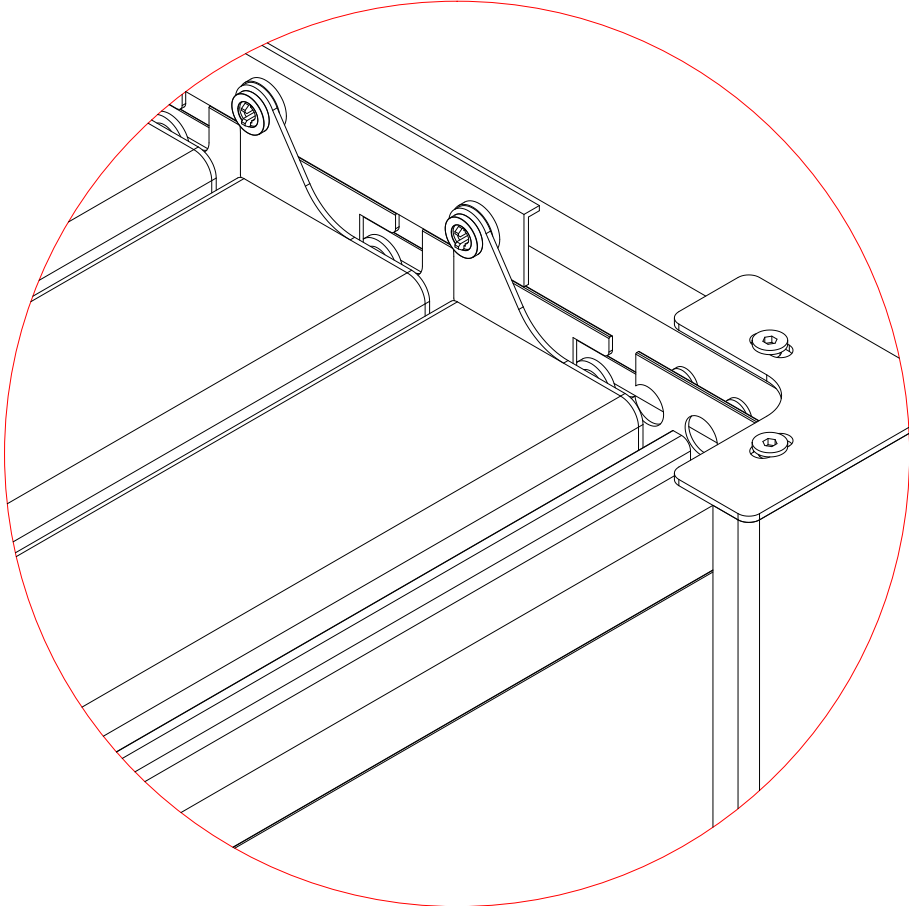
6) As shown, the Common Blade D-3 clicks directly into the groove, then pass the "Clips" through the holes (Control Rod → Plastic Spacer → Blade cap), and tighten with "Cap clips".

#### Note:

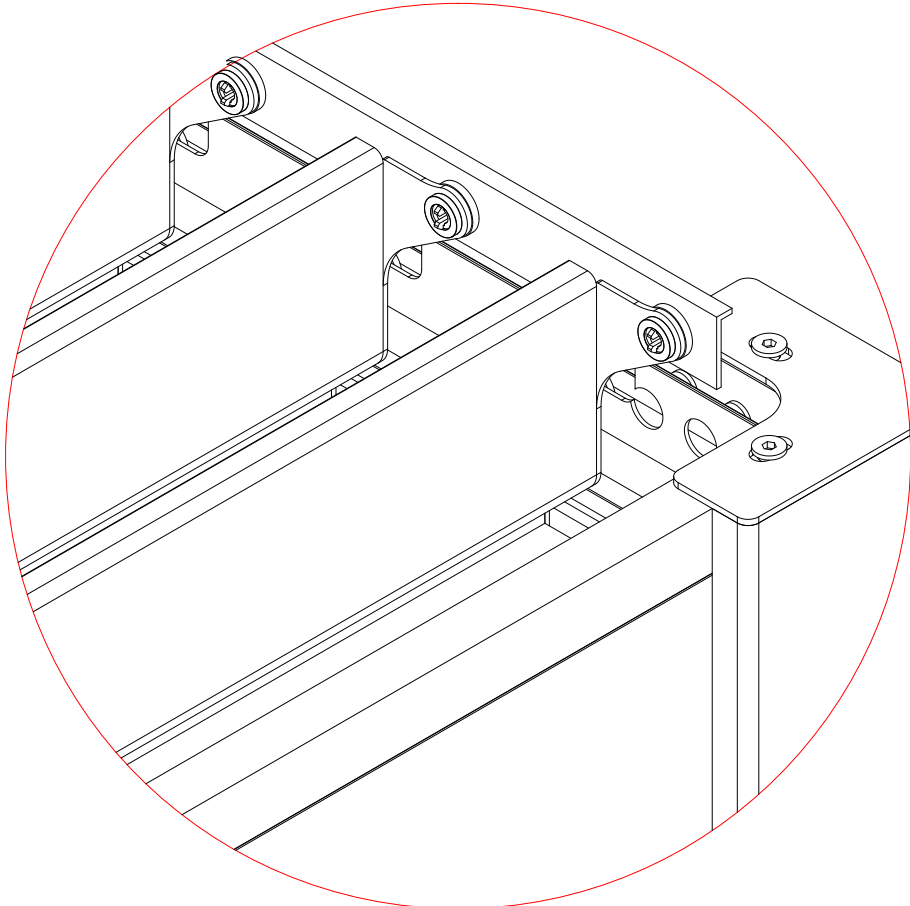
Full installation for every single louvre slat should be completed with the installation for cap clips on both ends.



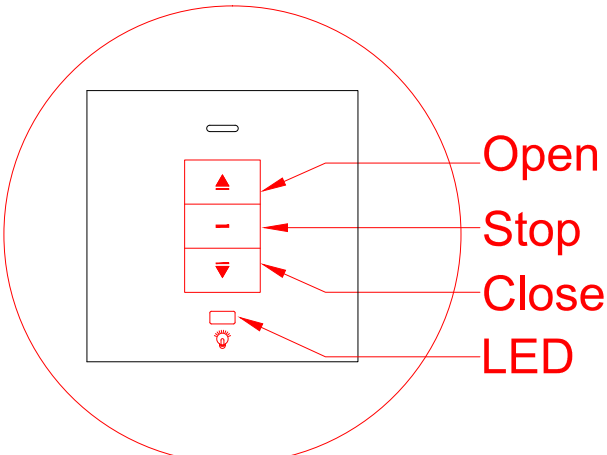
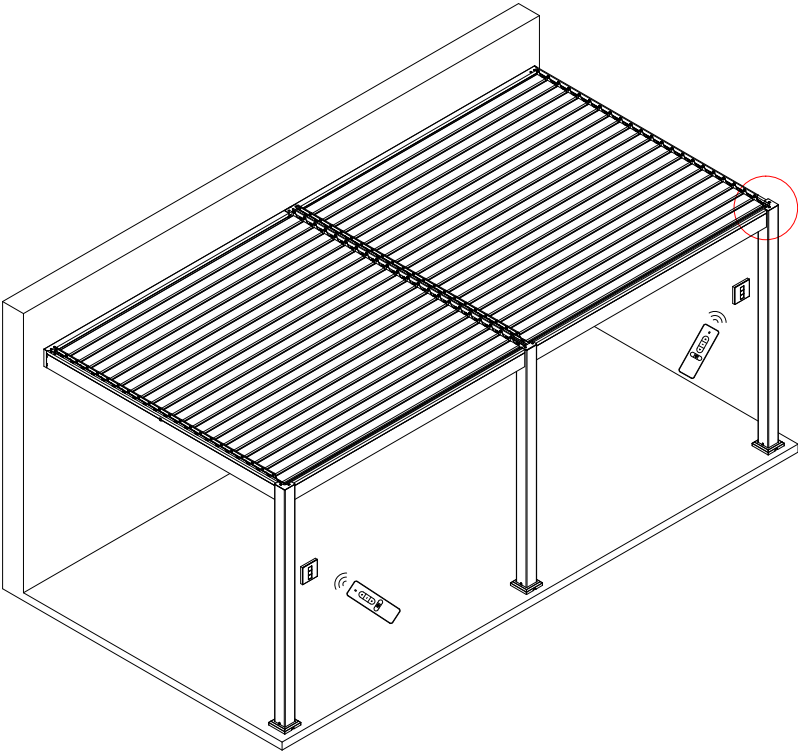
The installation is complete



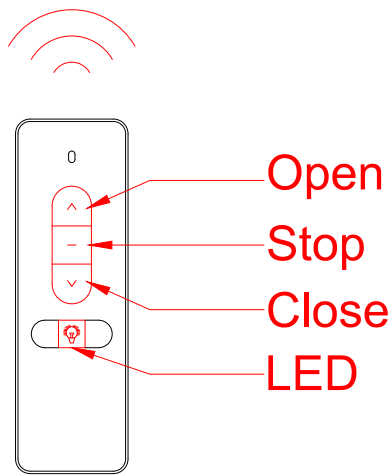
Closing



Opening

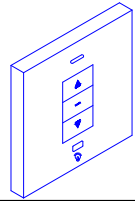


Receiver



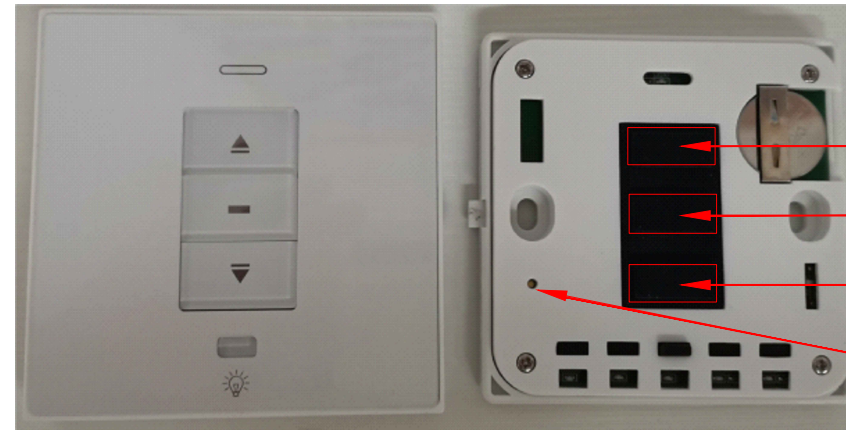
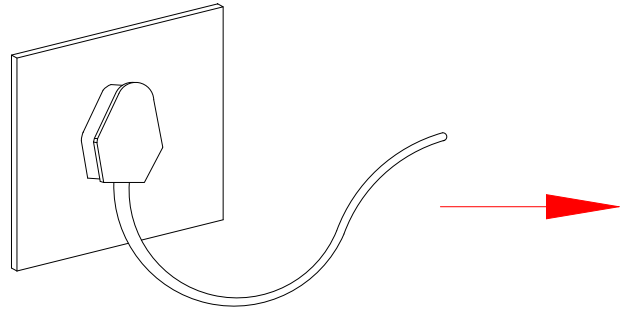
Remote Control

14



x 2

When the receiver cannot control the motor,  
please follow the steps below to program

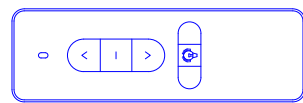


Up button  
Middle button  
Bottom button  
Small hole

Receiver

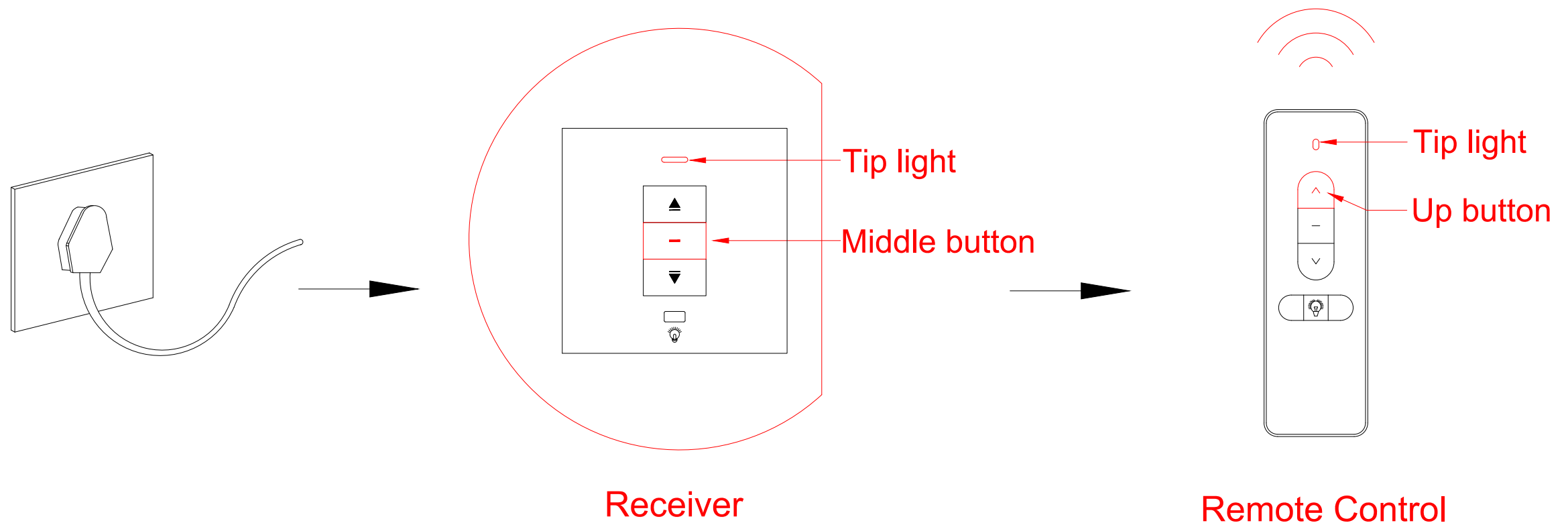
1. Please cut off the power and reconnect the power, then please start the following steps within 15 seconds.  
Code programming: Open the front cover of the wireless receiver, then please get the power on the motor, press and hold the small hole of the receiver for 3 seconds until you hear the a sound of the motor, go ahead to press the Up button of the receiver one time, once you hear the beep of the motor, it means the code programming successfully.
2. Code deleting : Open the front cover of the wireless receiver, then please get the power on the motor, press and hold the small hole of the receiver for 3 seconds until you hear the a sound of the motor, go ahead to press the Bottom button of the receiver one time, once you hear the beep of the motor, it means the code deleting successfully.
3. Direction changing: Open the front cover of the wireless receiver, then please get the power on the motor, press and hold the small hole of the receiver for 3 seconds until you hear the a sound of the motor, go ahead to press the Middle and Up button of the receiver one time, once you hear the beep of the motor, it means the direction changing successfully.

13



x 2

When the receiver cannot control the motor, please follow the steps below to program



4. Please cut off the power and reconnect the power, then please start the following steps within 15 seconds.
5. Then press the middle button on the receiver for about 5 seconds until the tip light (blue) at the top continues to flash.
6. Press the up button on the remote control. When the receiver tip light (blue) flashes 3 times, this means the remote control can be used to control the motor.



## Caring for Your Pergola

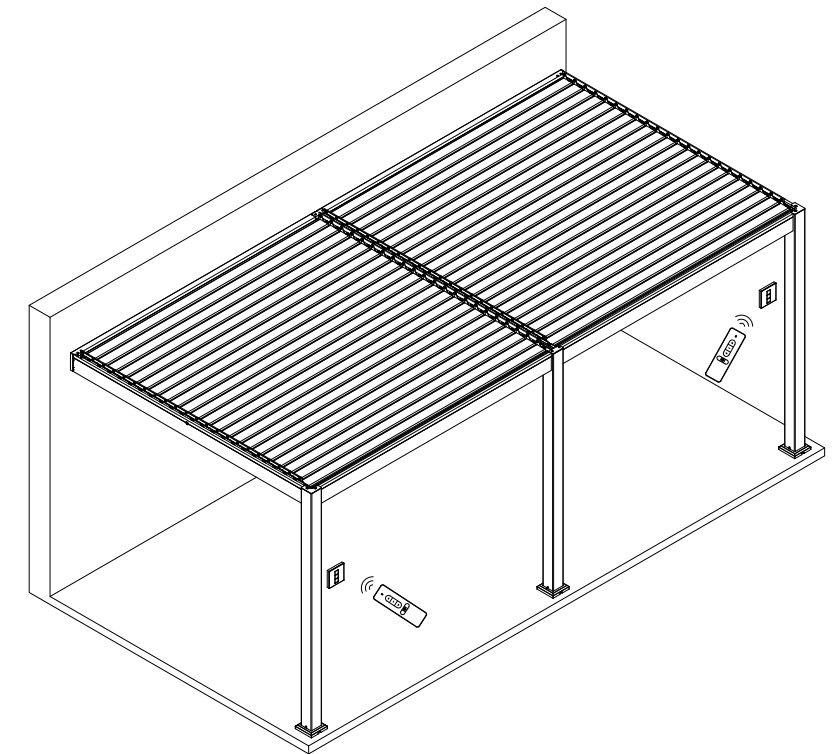
Structure surfaces coated with thermosetting powder coatings must be cleaned once a year to maintain their original aesthetic appearance.

Thermosetting powders are sensitive to:

- Physical friction, hard impact, extrusion, chemicals including alkaline solvent and acidic solvent.
- Natural elements such as wind, rain, snow, and prolonged sunlight. The exterior of the pergola may deteriorate over time and this will not be covered under warranty.

## Cleaning Your Pergola

- Do not use scouring pad, cream cleaner, abrasive sponge, iron wire ball or coloured cloths.
- Recommended: Soft sponge, soft sand-free cloth, cotton wool, cotton or non-woven paper (white only).
- Do not use corrosive products such as acidic or alkaline cleaners. It is recommended to wash with neutral pH detergent water and then wipe it with a cloth to keep it dry.
- When cleaning with high-pressure equipment, the same precautions must be taken as when cleaning the car body: distance, nozzle type, water temperature and pressure should all be considered.



## Use Reminder

- After the installation is complete, check that the screws are tight. Remember to check the screws at least once per year.
- **In an instance where snowfall, hail or strong winds greater than 80km/h are predicted, it is recommended to open the louvre blades. Do not operate the blades in the event of frost or snow. Please remove the blades from the pergola when the snow is abundant.**
- Regularly check the sealing conditions to ensure that the seals or other components do not leak.
- Regularly clean up debris such as fallen leaves on pergola to prevent blockage of the drain.
- Restrictions on use: Watertight systems, although effective, are not designed to ensure complete waterproofing. Heavy rain and strong winds may damage the pergola. Any damage incurred will not be covered under warranty.