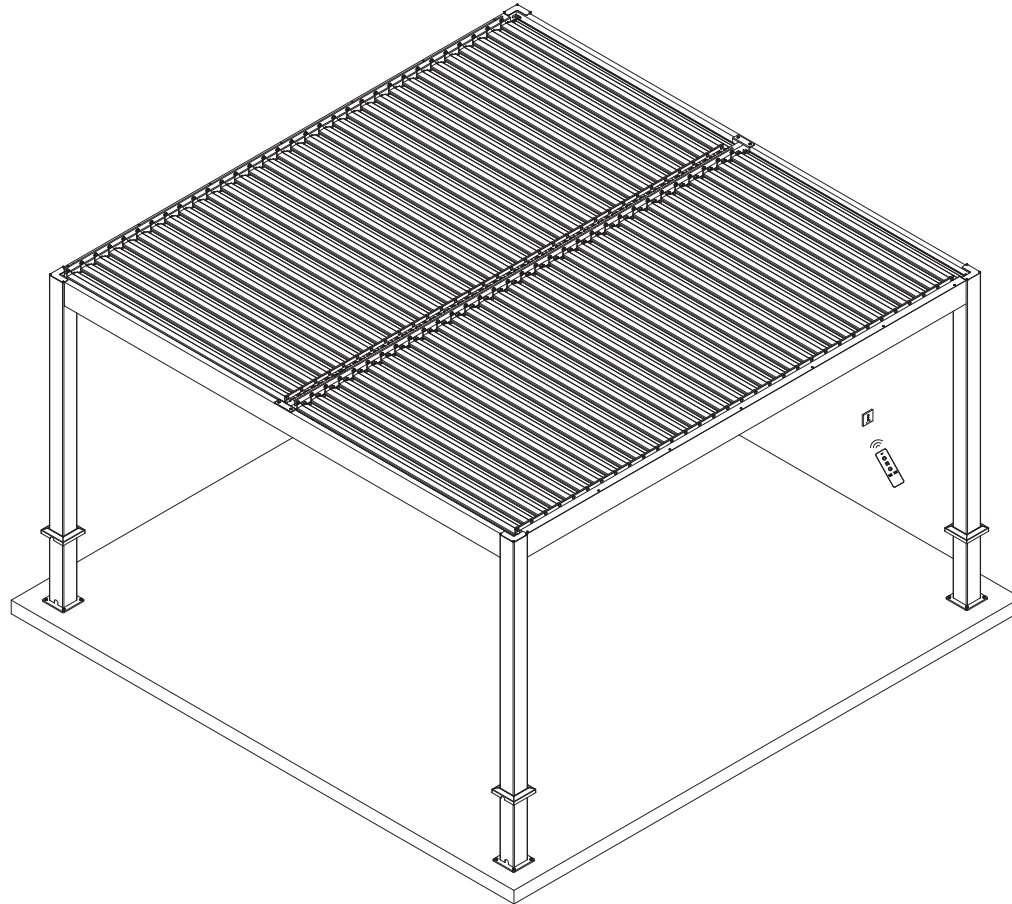


OWNER'S MANUAL



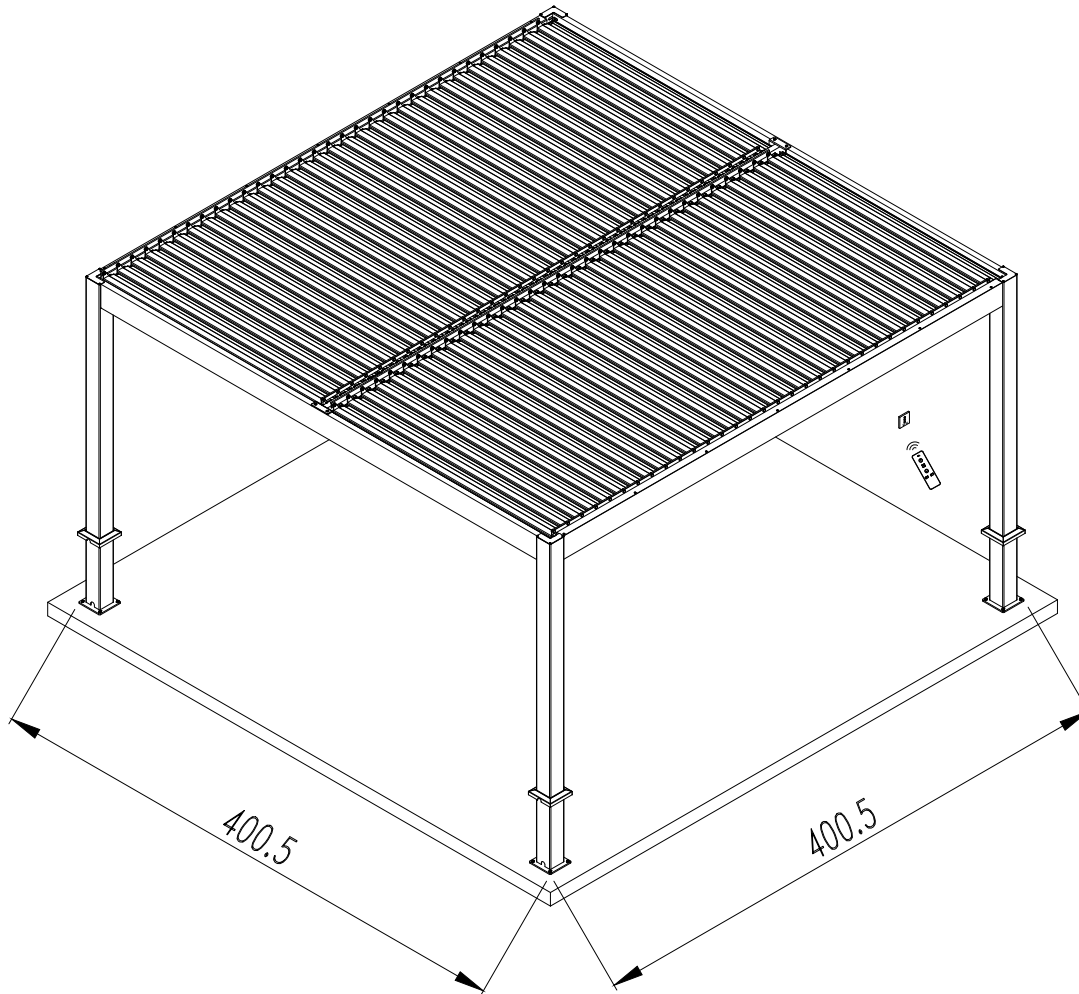
Pergola V - 4m x 4m

Please read this manual before using your pergola for the first time.
Please keep this manual for future reference.

Pergola V - 4m x 4m

Opening: Electric

Size: 400 (Length) x 400 (Width)



Installation Notes:

1. Installation requires a minimum of three people: one for measurement and marking, one for installation and one as an assistant.
2. Only concrete floor fasteners are provided. In the case where there is no concrete slab on the ground, it is recommended to make concrete slabs at each column. The concrete slab should be a minimum of 500x500x500mm.
3. After the Pergola frame is assembled, use a square, level and ruler to measure the product level and diagonal to ensure the size of the pergola. The bases need to be exactly level with no tolerance.
4. The pergola needs to be bolted to the floor. We do not take any responsibility if tiles are cracked during the drilling of the bolts.
5. Power tools are required: make sure they work properly and follow the safety instructions.
6. Be careful when using sharp tools.
7. Wear protective clothing including safety glasses, helmets and gloves.
8. Don't climb or stand on the roof.

Safety Warning

- It is highly recommended to wear gloves for assembly.
- Do not install pergola during bad weather conditions, such as wind or rain.
- Do not touch any wires with aluminum profiles.
- Always wear protective shoes and glasses when installing pergola.
- Keep all plastic bags out of the reach of children.
- The pergola column must be positioned and fixed on a flat surface.
- Do not lean on the column during the assembly phase.
- Do not let children approach the scene during the assembly phase.
- Don't be near pergola in a storm or typhoon.
- Do not try to climb pergola under the influence of alcohol or drugs.
- When using ladders or similar tools and power tools during the assembly phase, be sure to follow the manufacturer's safety recommendations.
- Any hot tool, such as an electric drill, cannot be in contact with the pergola profile.
- Make sure there are no cables or other cables hidden underground before positioning the column.

General Advice

- This pergola has several components and it takes at least 90 minutes to assemble. The pergola should not be positioned under a tree.
- If you connect the column directly to cement or a similar base, use the pre-punched holes on the supplied base.
- Check the number of profiles and fittings before assembly and use them according to the list of profile fittings for easy assembly.
- Put small pieces such as screws into a container to avoid loss.
- Please pay attention to the position of the transmission on the beam to avoid misplacement.
- Regularly clean leaves, snow or other objects off the pergola.

Maintenance and Repair

- To clean pergola, use a mild detergent and rinse with water. Do not use acetone or abrasive cleaning products to clean the surface of the aluminum profile.

Protection and Installation Tools

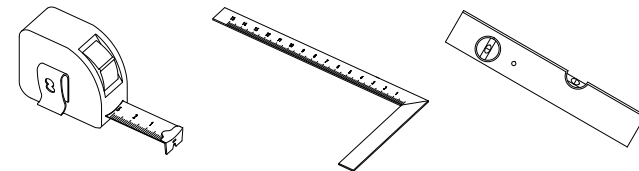
Protective Equipments:

1. Helmet
2. Gloves
3. Emergency first-aid kit
4. Protective glasses



Measuring Instrument:

1. Tape measure (5 metres or more)
2. Square ruler
3. Level

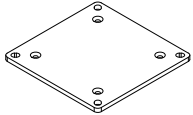
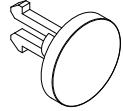

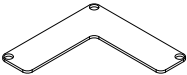
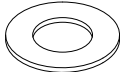
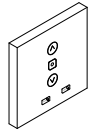
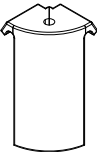
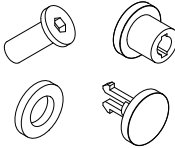
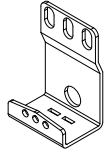
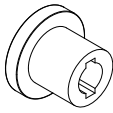
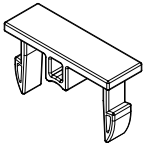
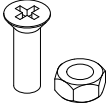
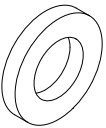
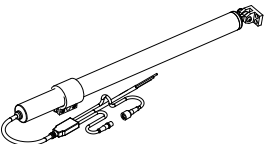
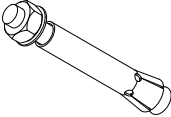


Tools:

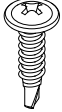
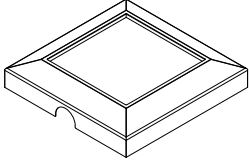
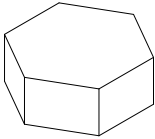
1. 2 metre ladder (1.5 metres or more)
2. 13mm hex wrench
3. 17mm hex wrench
4. Electric drill
5. Electric drill bit (10 mm drill bit)
6. Marker or pencil
7. Rubber hammer
8. Silicon and glue gun



Accessories & Screws List

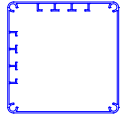
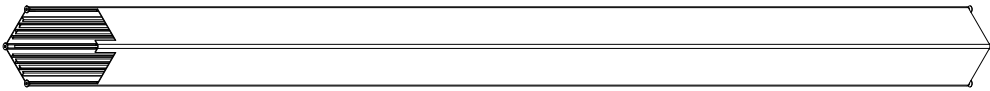
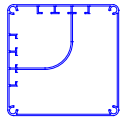
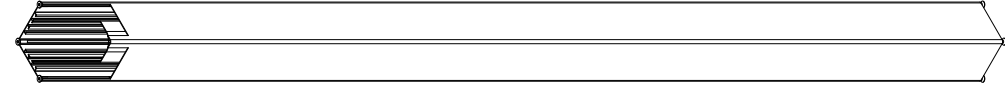

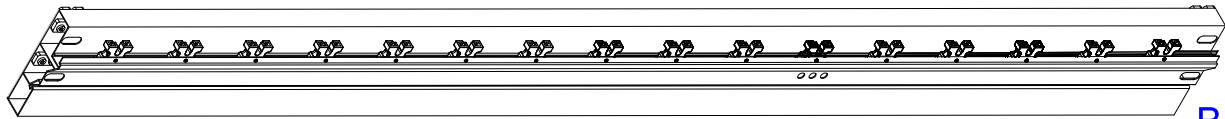
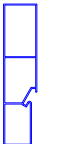
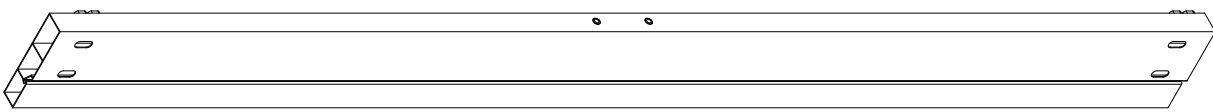
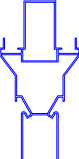
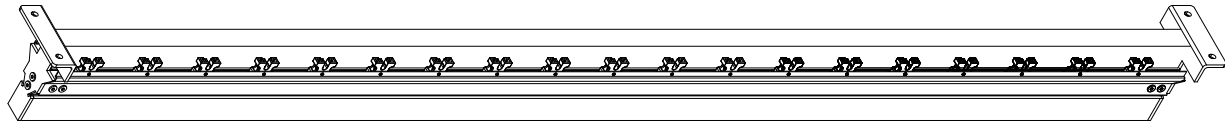
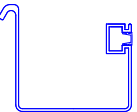
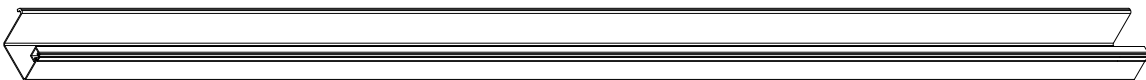
①		x 4	⑥		x 128	⑪		x 2
	Base Plate			Clips			Remote Control	
②		x 4	⑦		x 10	⑫		x 2
	Post Top Cover			Gasket for adjusting the height			Receiver	
③		x 2	⑧		x 1	⑬		x 2
	Rubber cover			Accessories as back up			Motor Bracket	
④		x 128	⑨		x 128	⑭		x 4
	Cap clips			The upper clip			Screw and Nut	
⑤		x 128	⑩		x 2	⑮		x 16
	Plastic Spacer			Motor			Anchor Bolt	

Accessories & Screws List

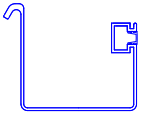
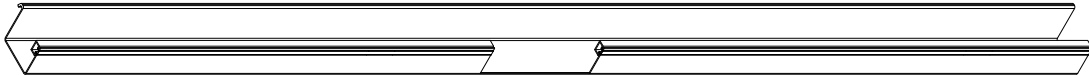


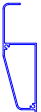
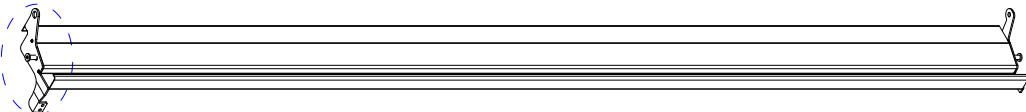

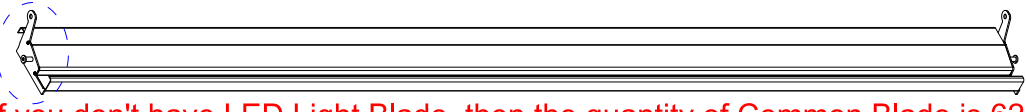






16	 <p style="text-align: right;">x 10 ST4.2 x 25 Self-Tapping Screw</p>				
17	 <p style="text-align: right;">x 4 Base Plate Cover</p>				
18	 <p style="text-align: right;">x 16 Bolt Cover</p>				

Red is optional, please ignore if you don't have it.

Profile List

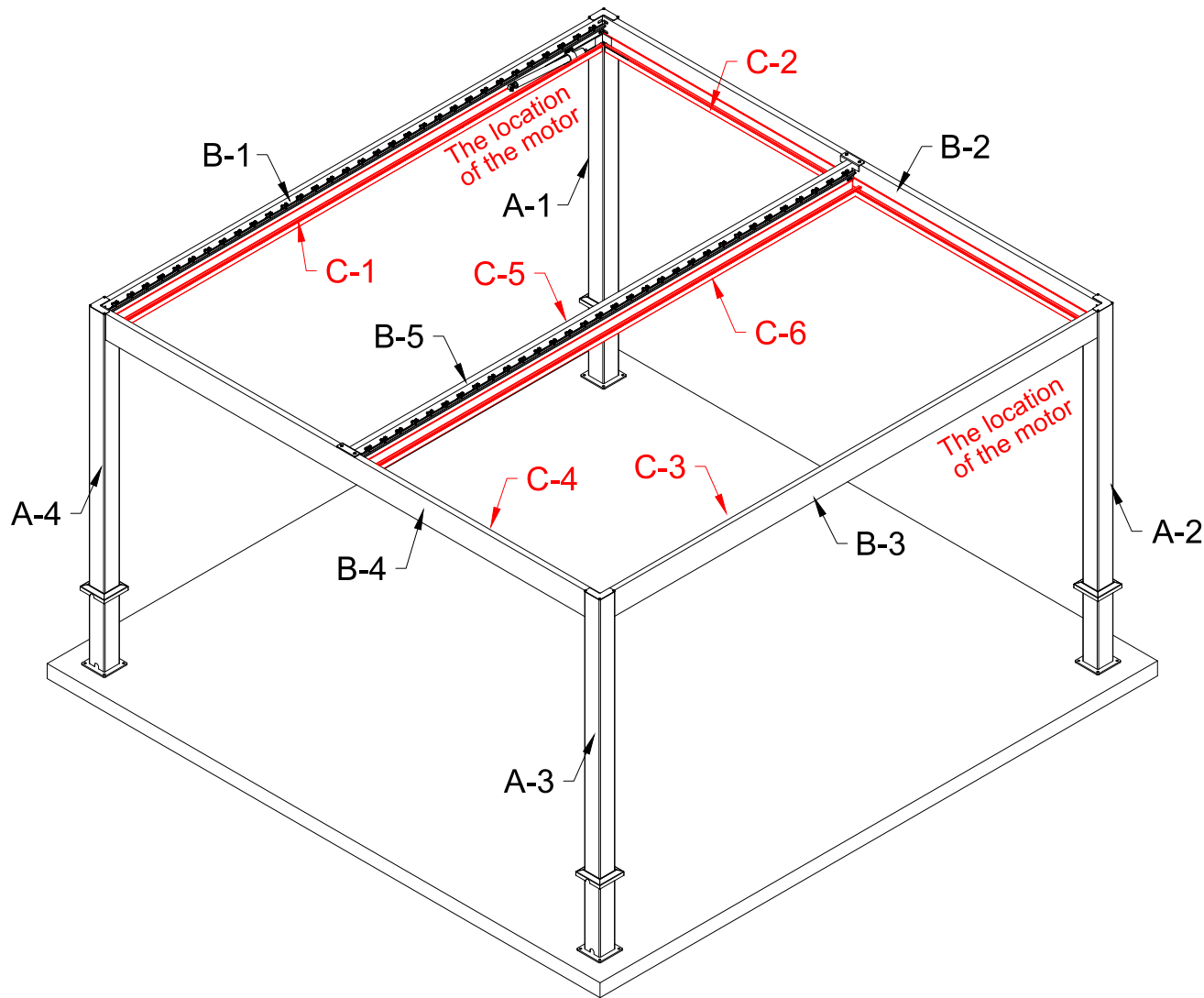
<p>A-1 A-2</p>			<p>x 2 Post</p>
<p>A-3 A-4</p>			<p>x 2 Post</p>
<p>B-1 B-3</p>			<p>x 2 Beam with hook</p>
<p>B-2 B-4</p>			<p>x 2 Beam</p>
<p>B-5</p>			<p>x 1 Beam</p>
<p>C-1 C-3</p>			<p>x 2 Gutter</p>

Profile List

<p>C-2 C-4</p>			<p>x 2 Gutter</p>
<p>C-5 C-6</p>			<p>x 2 Middle Gutter</p>
<p>D-1</p>			<p>x 2 Driving Blade</p>
<p>D-2</p>		 <p style="color: red;">If you don't have LED Light Blade, then the quantity of Common Blade is 62 pcs</p>	<p>x 52 Common Blade</p>
<p>D-2b</p>			<p>x 10 LED Light Blade</p>
<p>E</p>			<p>x 4 Control Rod</p>
<p>F</p>		 <p style="color: red;">If the louver blade do not have the LED light, it will not have the Wire Casing Cover. Wire Casing Cover</p>	<p>x 2</p>

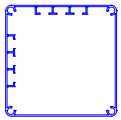
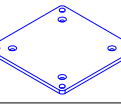
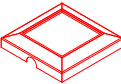

Red is optional, please ignore if you don't have it.

Aluminum Profiles Lay Out Drawing



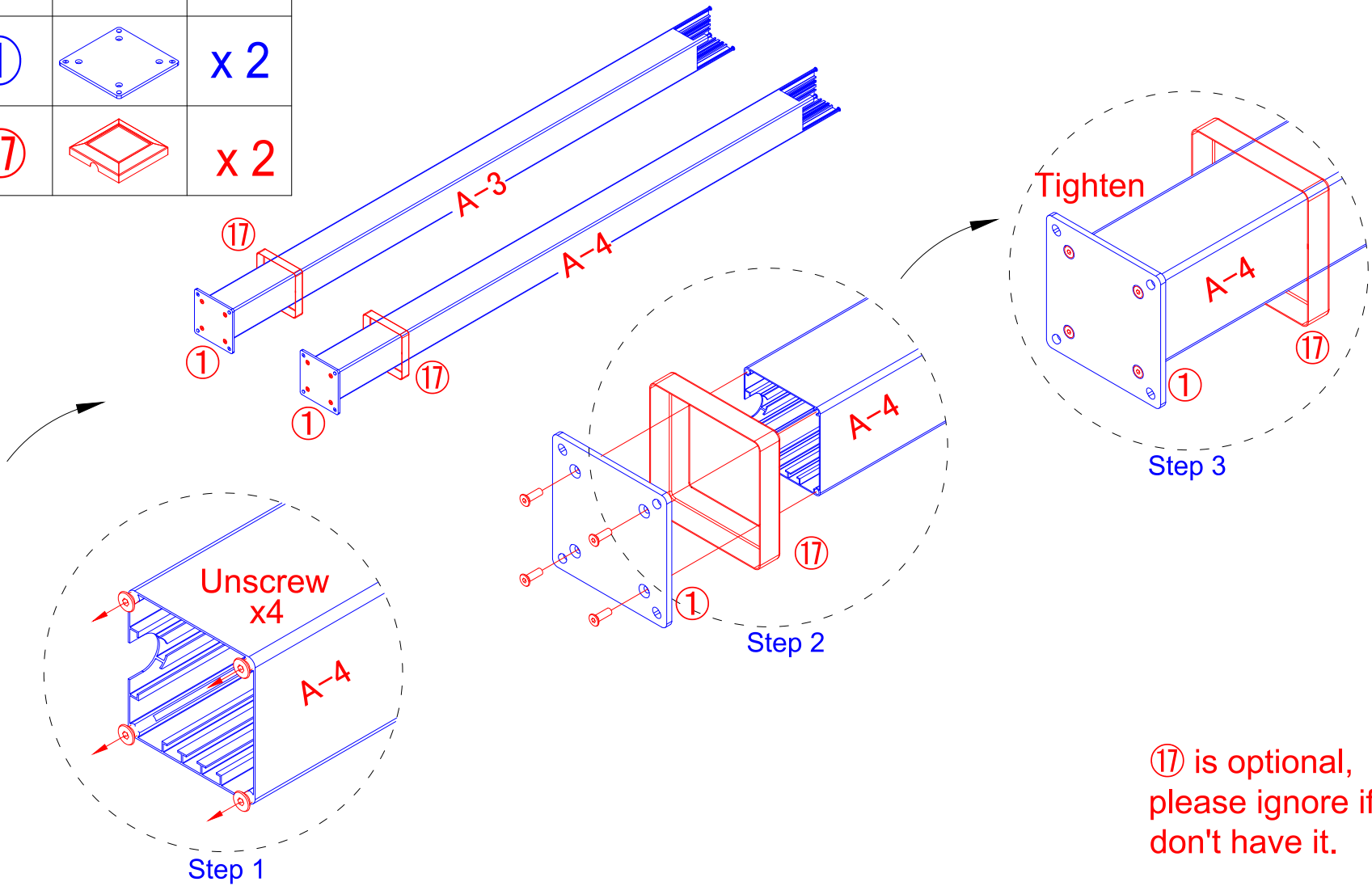
Installation notes:

1. To take the goods out of the carton, 2 people are required to lift them up, put them on the ground lightly, and keep the ground level and clean, better to put a layer of cloth on the floor to prevent the profile from scratching.
2. The goods on the ground should not be dragged, and avoid collision with metal surfaces or other uneven walls.
3. After setting up the whole set pergola and test the pergola well, then proceed to remove all the surface film.

A-3		x 2
A-4		x 2
①		x 2
⑰		x 2

Assemble the Framework

1) Mount the Base Plate Cover ⑰ on the riser, the hole needs to be facing the hole
 Unscrew the bolts pre-installed on the bottom of the Post(A-3,A-4) align the base
 plate ①, and lock the base plate ① to the post with the unscrewed bolts.

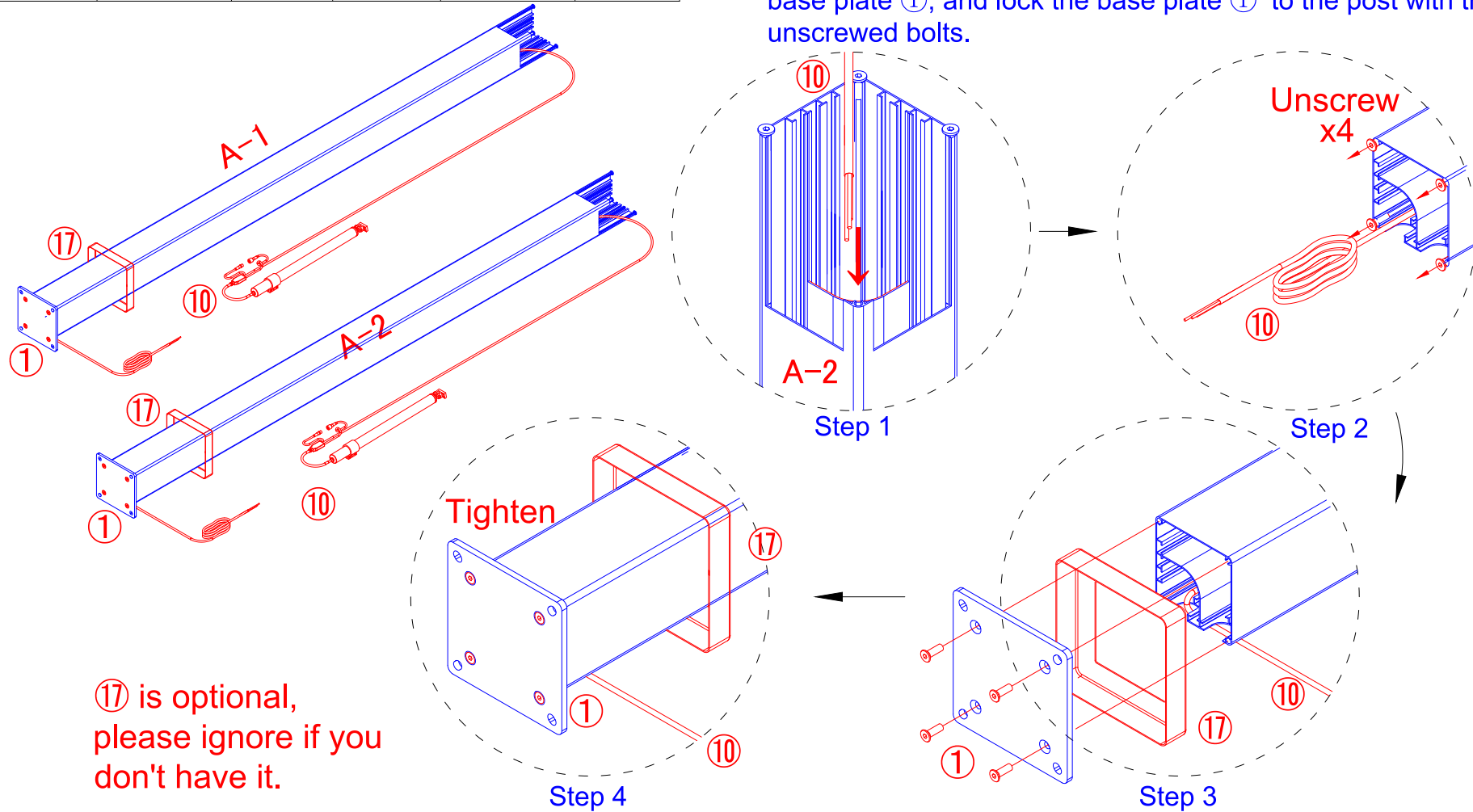


⑰ is optional,
 please ignore if you
 don't have it.

A-1 A-2		x 2	⑩		x 2
①		x 2	⑰		x 2

Assemble the Framework

2) As shown, slide the motor plug from the top of the post into the curved cavity on the inside of the post and pull it out from the bottom. Mount the Base Plate Cover ⑰ on the riser, the hole needs to be facing the hole. Unscrew the bolts pre-installed on the bottom of the Post (A-1,A-2), align the base plate ①, and lock the base plate ① to the post with the unscrewed bolts.



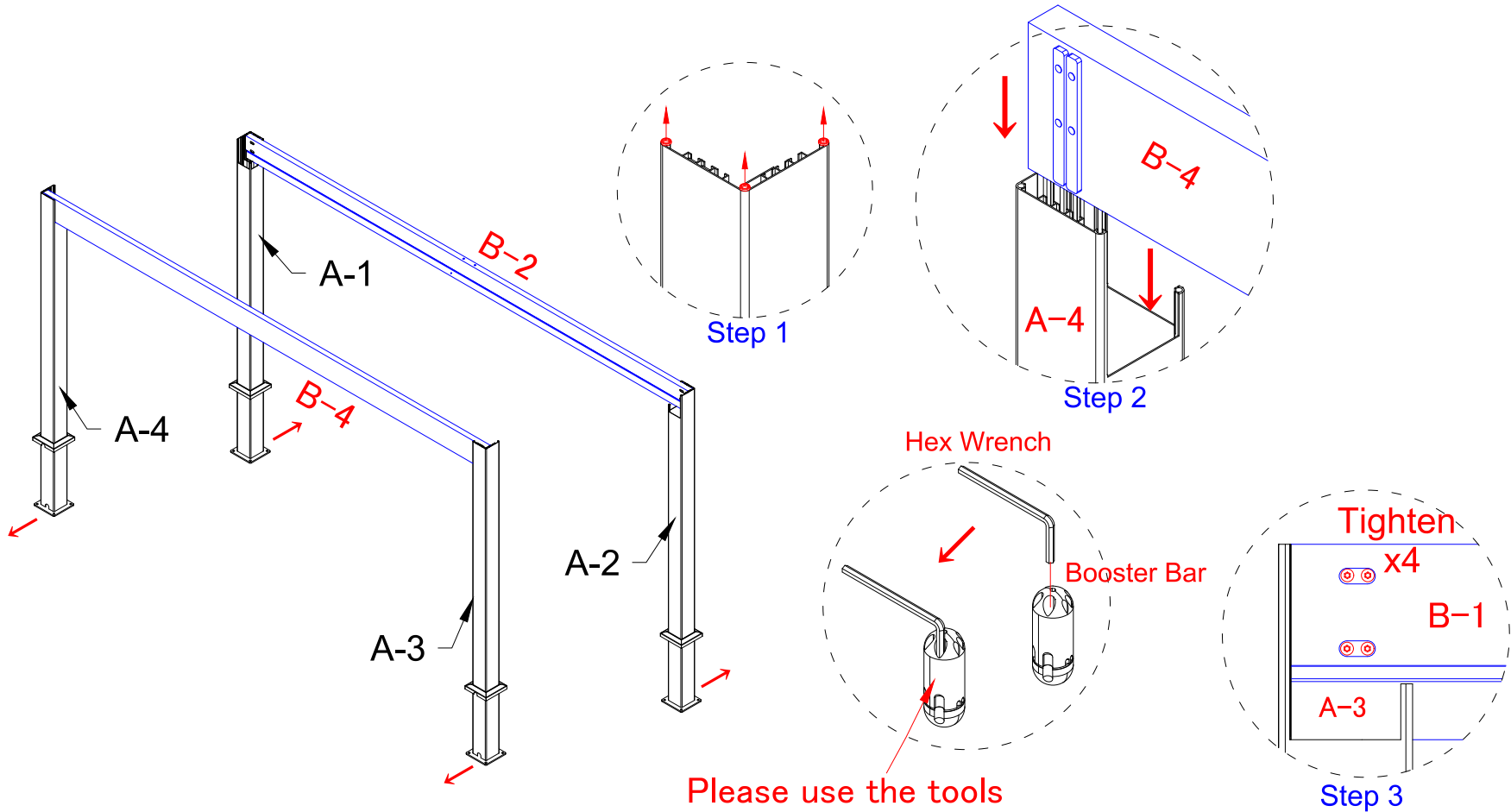
B-2
B-4



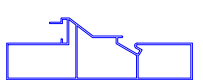
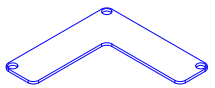
x 2

Assemble the Framework

3) As shown, unscrew the bolts pre-installed on the top of the Post (A-1, A-2, A-3, A-4,) then fix the beam (B-2, B-4) on the two posts (insert the connectors at both ends of the beam into the grooves of the two posts respectively). and tighten the bolts on the beam.

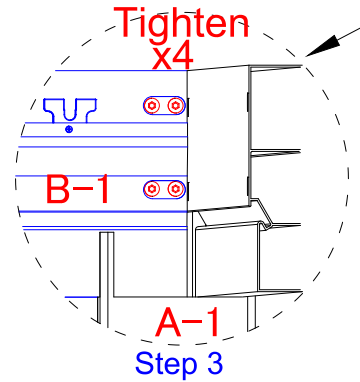
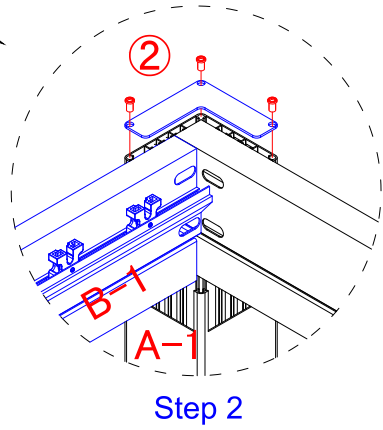
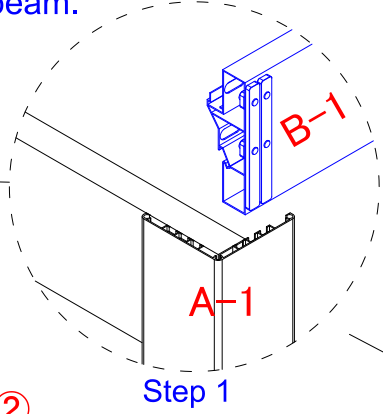
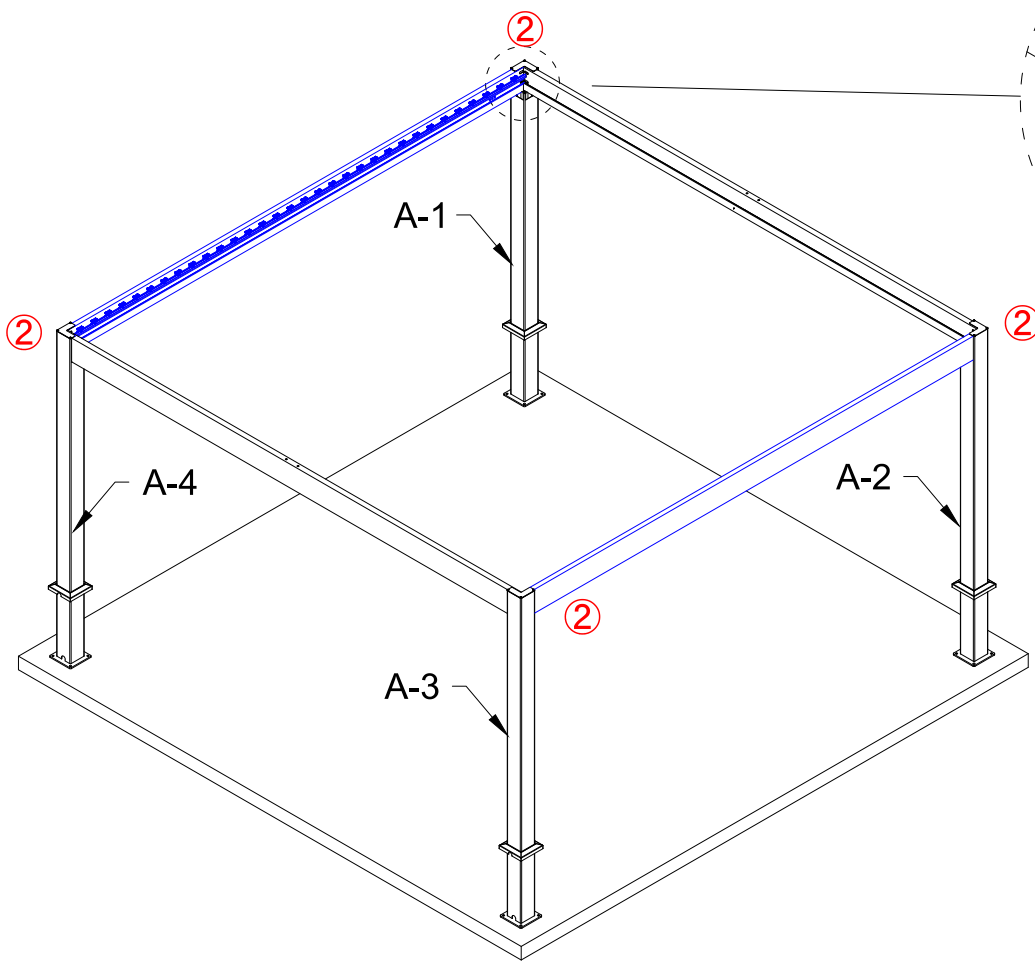


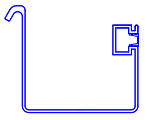
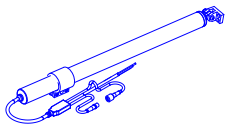
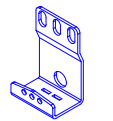
Please use the tools provided to reinforce the screws and make sure they are tightened.

B-1 B-3		x 2
②		x 4

Assemble the Framework

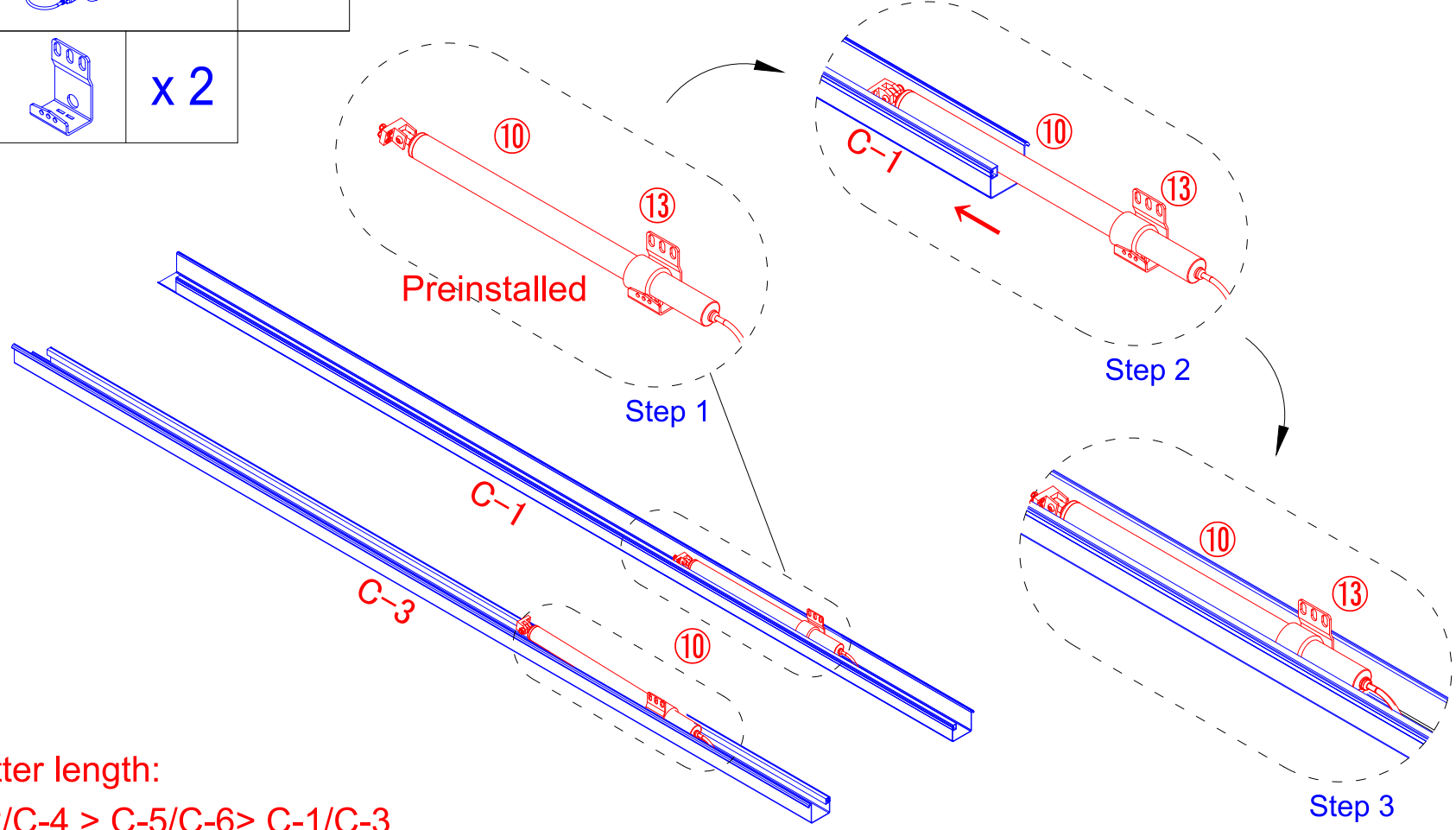
- 4) As shown, fix the beam with hook (B-1, B-3) on the two posts (insert the connectors at both ends of the beam into the grooves of the two posts respectively).
- 5) Fixed the post top cover ② on the post with the unscrewed bolts and tighten the bolts on the beam.



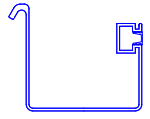
C-1 C-3		x 2
⑩		x 2
⑬		x 2

Mounting Motor

1) As shown, firstly install the Motor ⑩ on the Motor Bracket ⑬ and then insert them into the long gutter (C-1,C3).



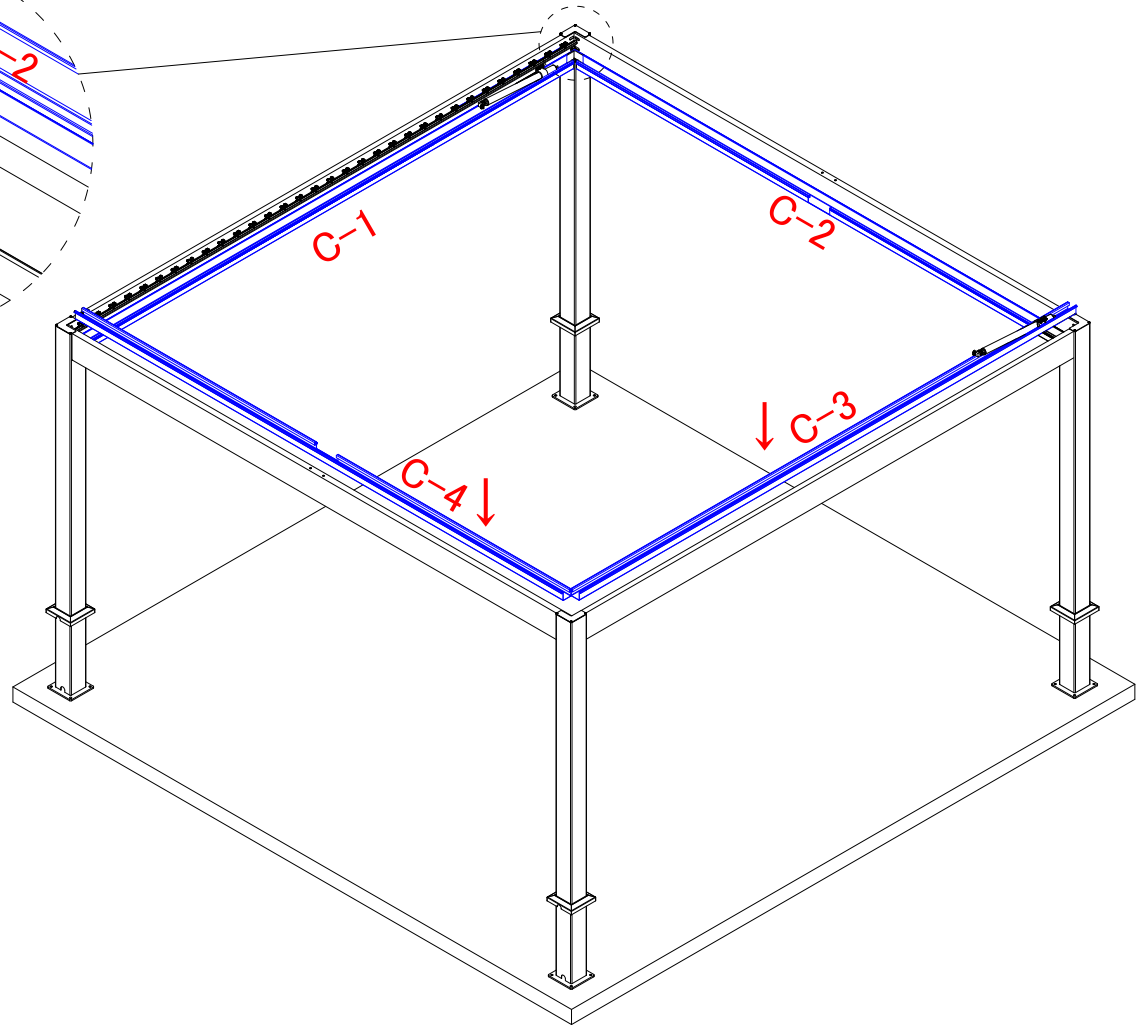
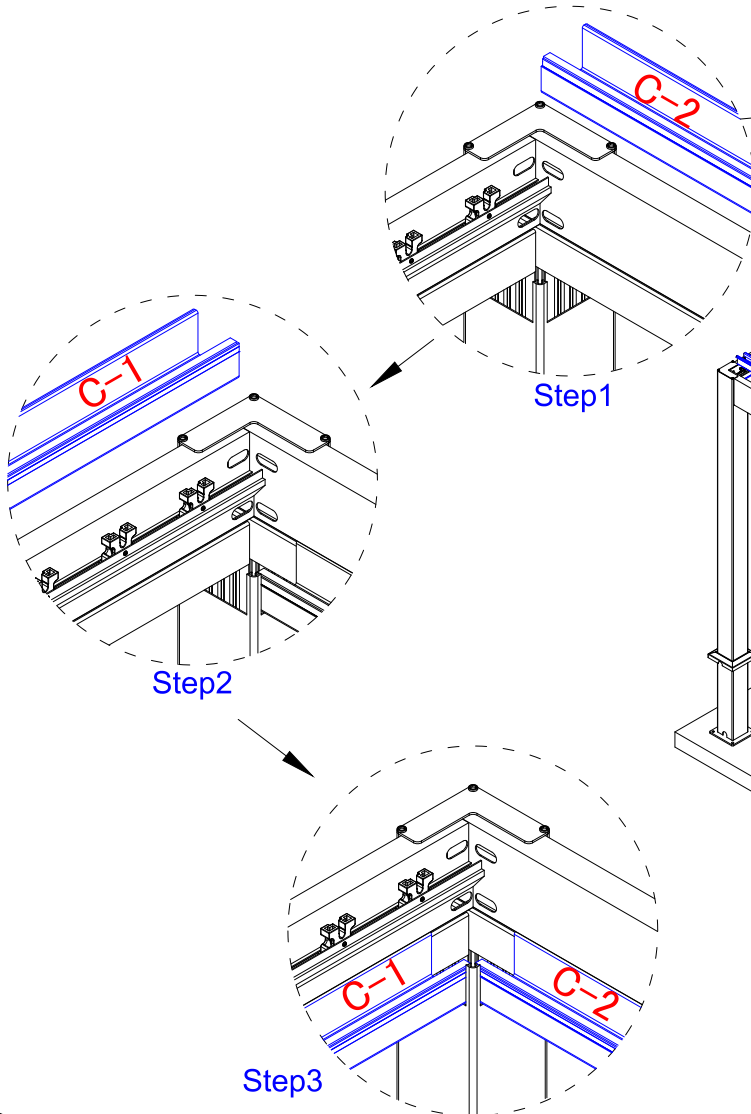
C-1
~
C-4



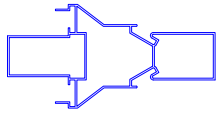
x 4

Installing the Gutter

1) As shown, hook the gutters to the beam (the gutter has a hook, the beam has a groove).



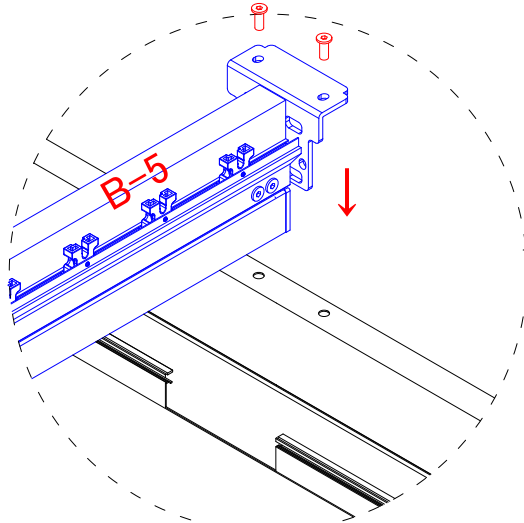
B-5



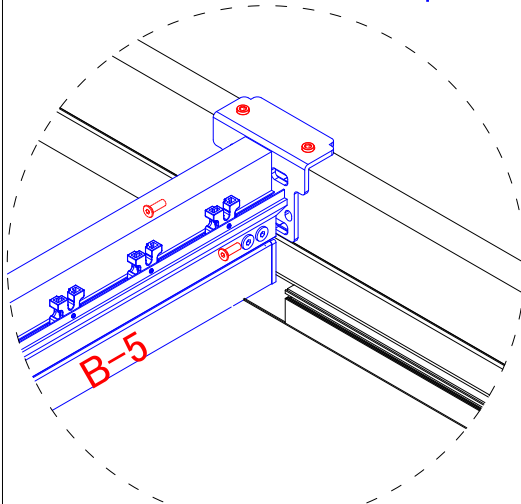
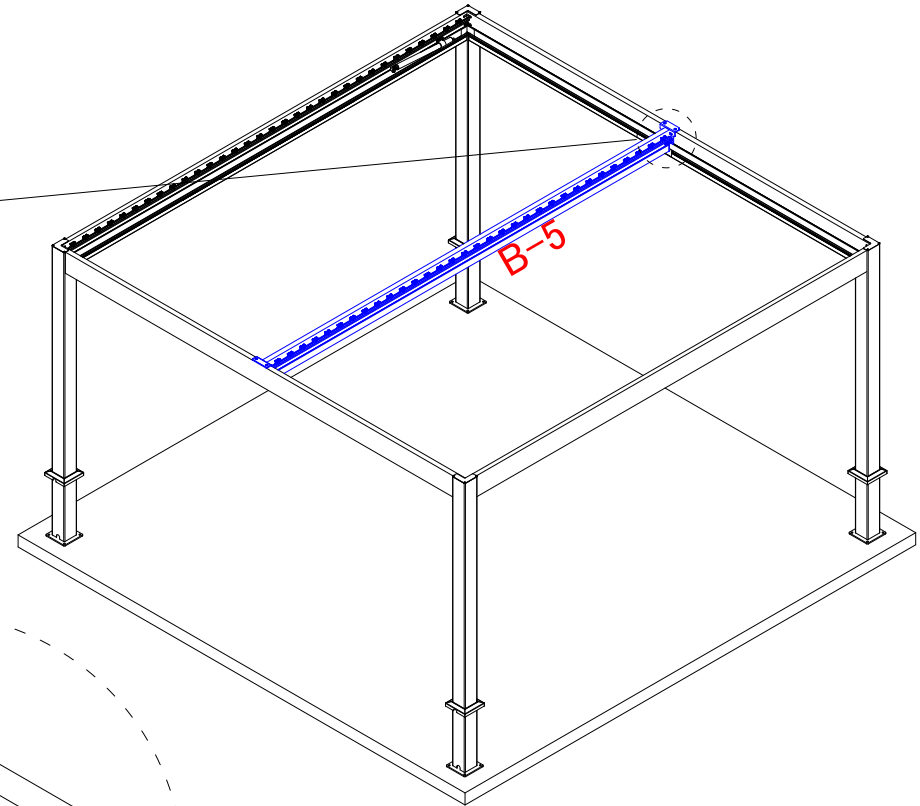
X 1

Assemble the Framework

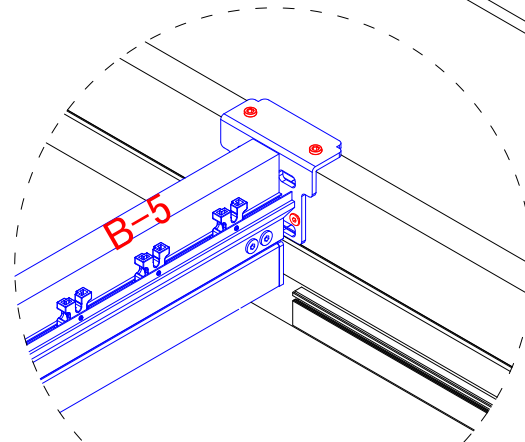
1) As shown, fix the Middle Beam B-5 on the framework with bolt.



Step 1

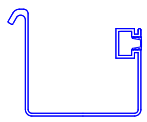


Step 2



Step 3

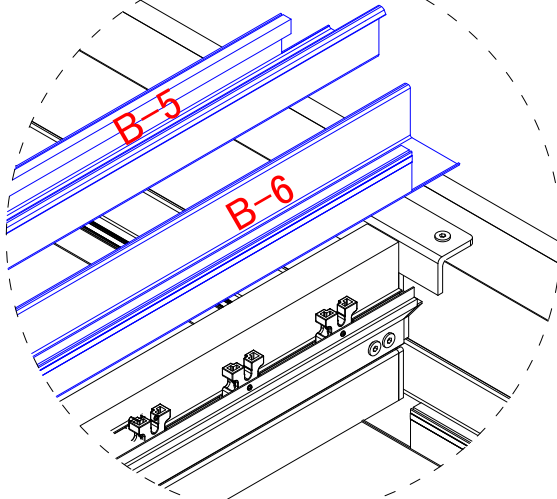
C-5
C-6



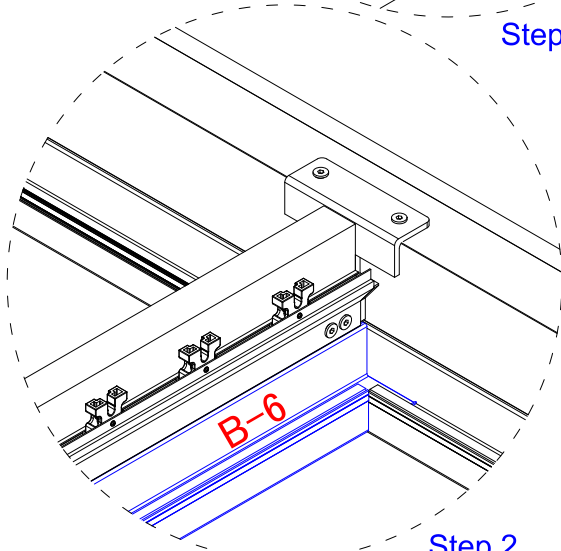
x 2

Installing the Gutter

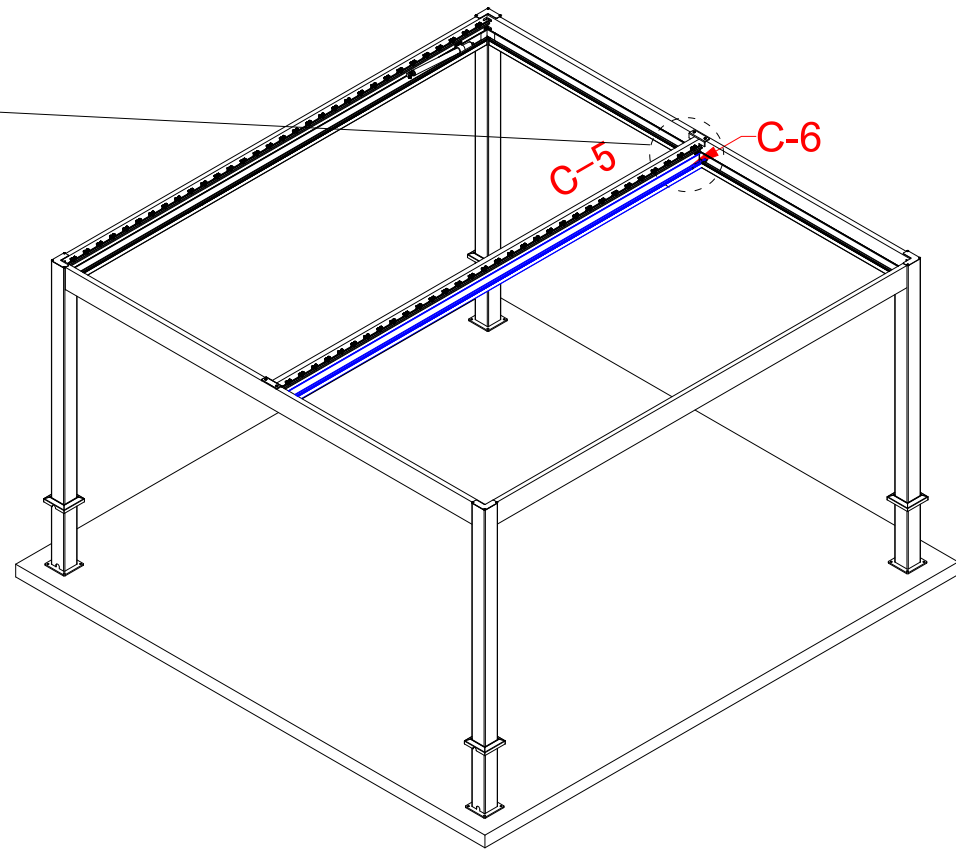
1) As shown, hook the gutters to the beam (the gutter has a hook, the beam has a groove).

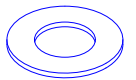
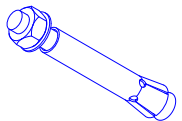
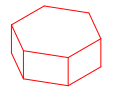


Step 1



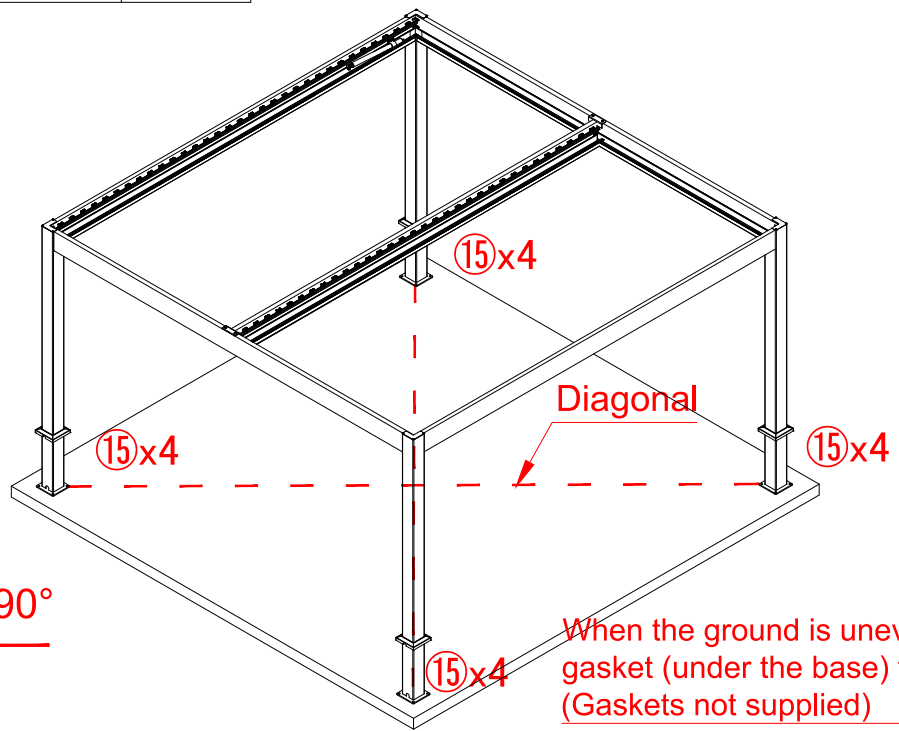
Step 2



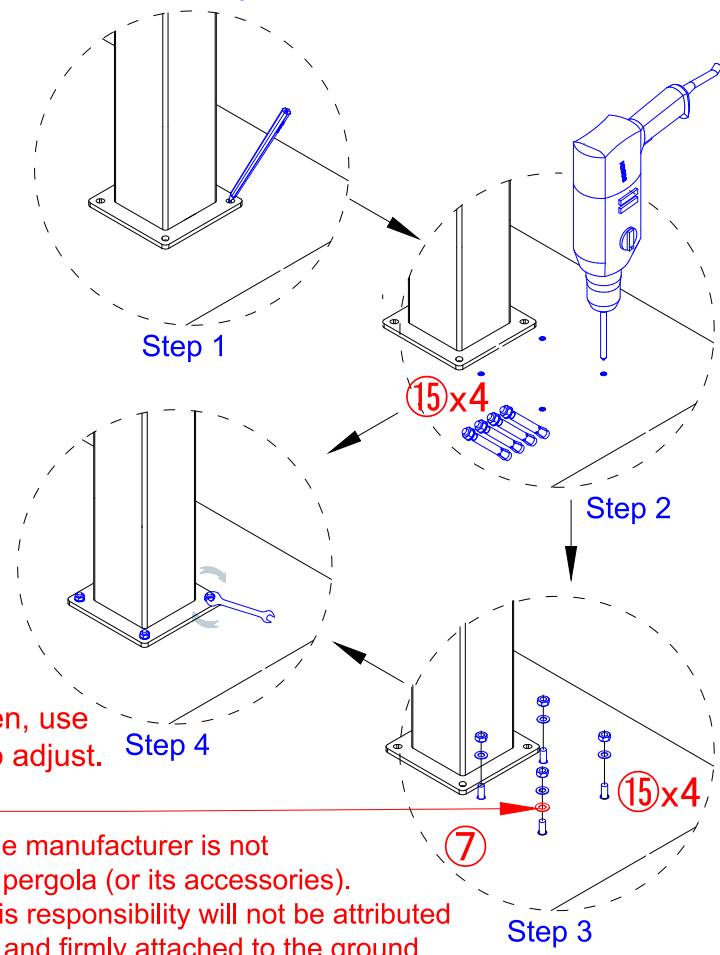
⑦		x 10
⑮		x 16
⑱		x 16

Fix Pergola to the Ground and Wall

- 1) Use the 16 Anchor bolts provided, if the ground is not concrete floor. You will need to find another solution to bolt your pergola down onto your desired surface.
- 2) Move the pergola to the appropriate installation position, then mark the position of the two posts with the pencil, remove the pergola, and use the electric drill to make 16 holes according to the mark. Move the pergola back to the position and secure the base plate with the anchor bolt ⑮. Then just put the Bolt Cover ⑱ cap back on the bolt



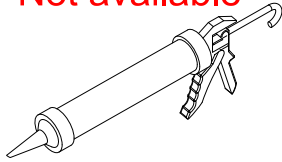
When the ground is uneven, use gasket (under the base) to adjust. (Gaskets not supplied)



It is the responsibility of the user to ensure that the pergola is fixed down. The manufacturer is not responsible for damage caused by natural disasters or special events to the pergola (or its accessories). Any pergola that is not fixed may be blown away and cause damage, and this responsibility will not be attributed to the manufacturer. Check the pergola regularly to ensure it remains stable and firmly attached to the ground. A pergola that detaches from its position and incurs or causes damage will not be covered under warranty.

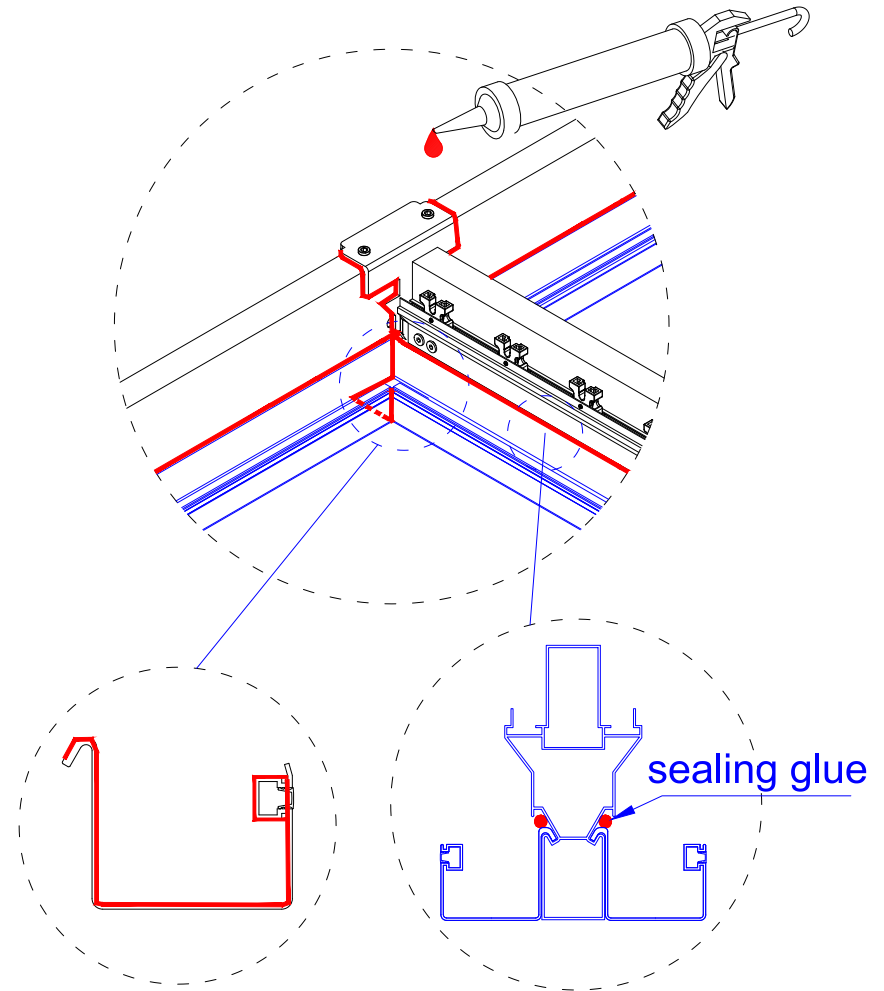
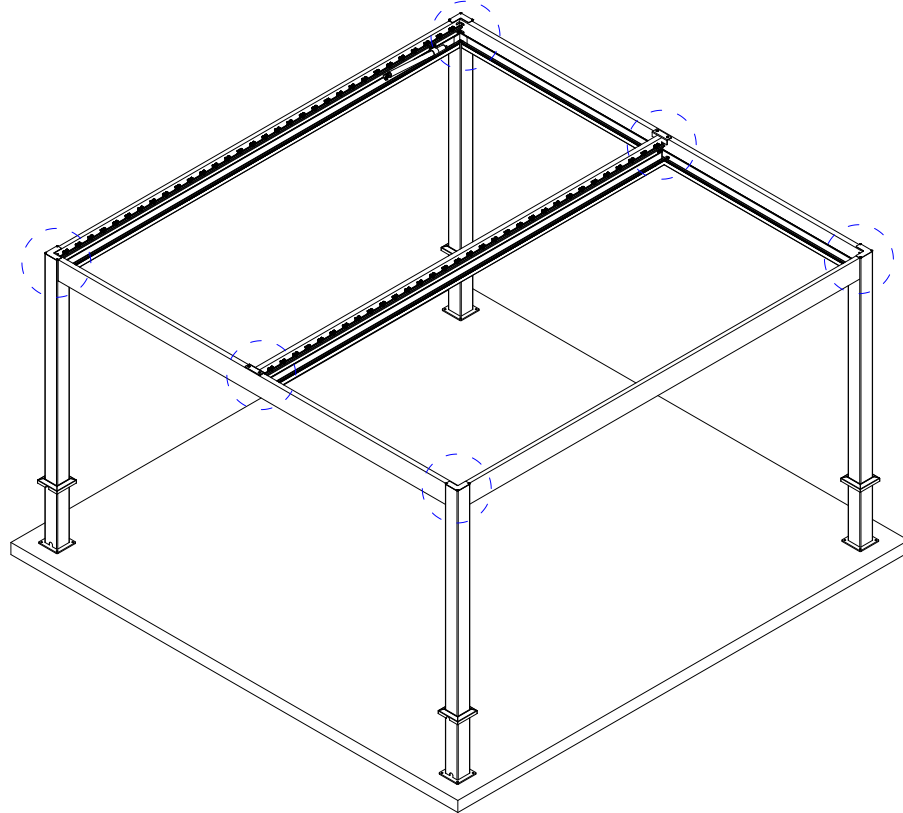


Not available

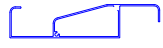


Increase the Waterproof Performance of Pergola

1) The pergola product itself is waterproof, so the manufacturer does not provide a sealant. Sealing can be done at the owner's discretion to increase the pergola's durability. Sealing position: the inside of the profile joint and the joint between the gutters.



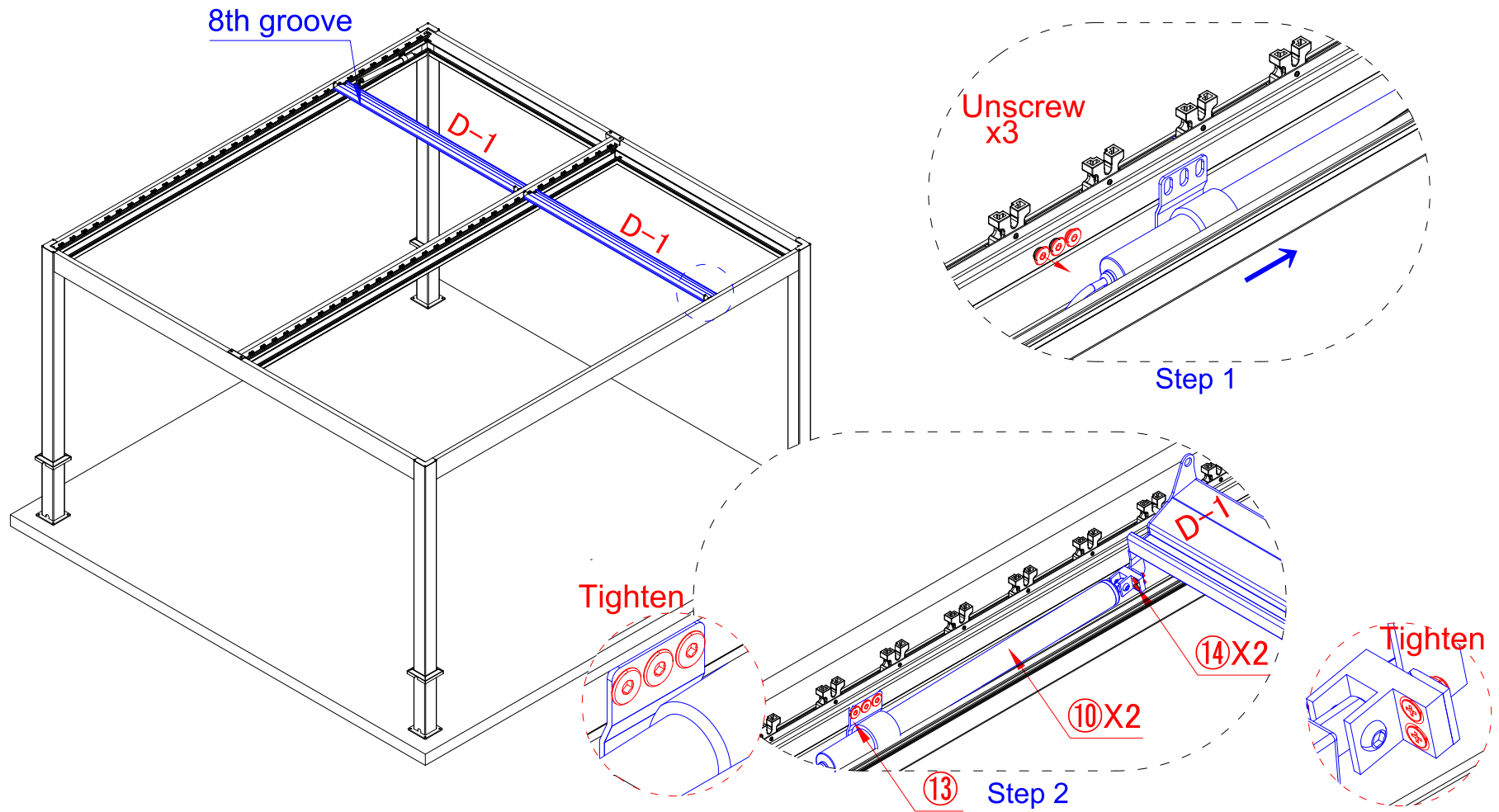
D-1

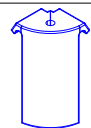
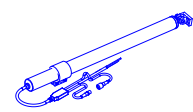


x 2

Installing Louvre Blades

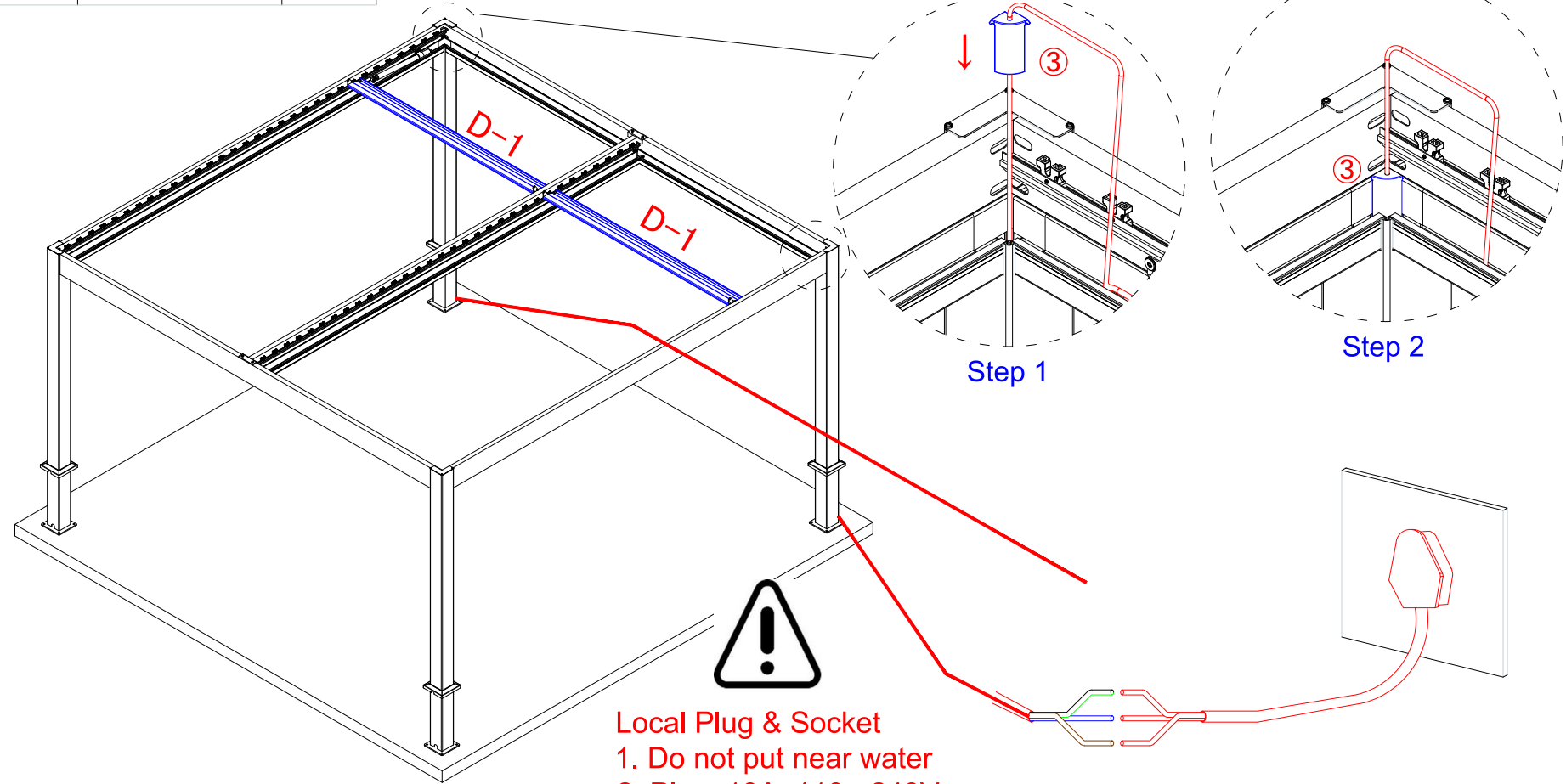
1) As shown, the Driving Blade D-1 clicks directly into the groove.



③		x 2
⑩		x 2

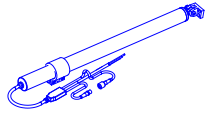
Installing Wire

1) As shown in the picture, when arranging the motor wires, please put the wires can be plugged into the rubber cover ③, and then the rubber cover can be hooked on the beam (the rubber cover has hooks and the beam has grooves)



Local Plug & Socket
 1. Do not put near water
 2. Plug: 10A, 110 - 240V




10

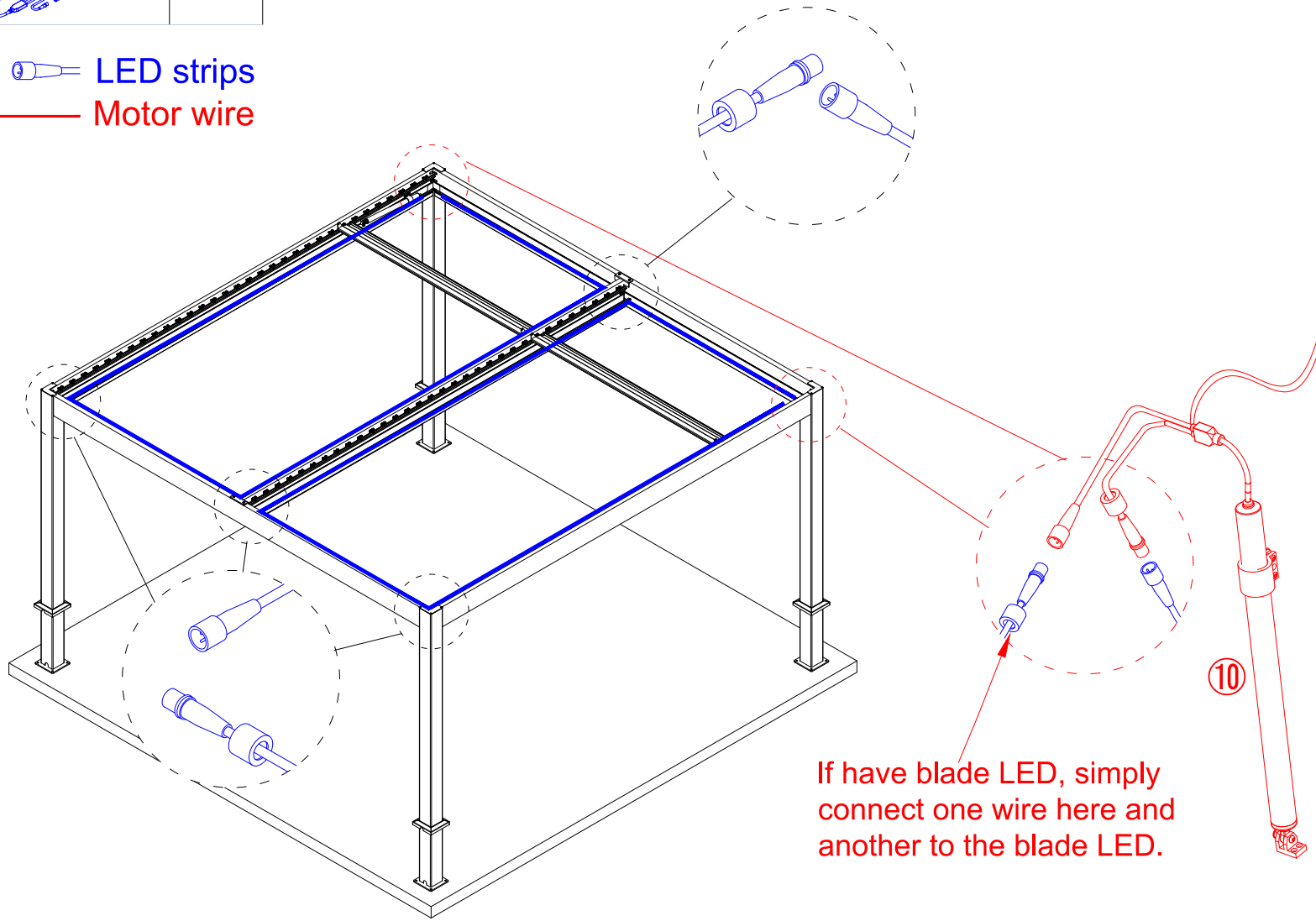


x 2

Installing Wire

2) As shown, connecting LED strips and Motor wire.

  LED strips
 Motor wire



If have blade LED, simply connect one wire here and another to the blade LED.

It is optional, please ignore if you don't have it.



Note: Please follow the steps to connect the wire correctly, otherwise the motor will be faulty.



The plug is not supplied

Live wire (Brown)
Neutral wire (blue)
Earth wire (yellow-green)

Live wire
Neutral wire
Earth wire

Motor wire

LED wire

Before wiring

Live wire (Brown)
Neutral wire (blue)
Earth wire (yellow-green)

Motor wire

LED wire

After wiring

Plug

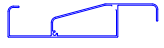
Plug

Motor wire

Motor wire

It is optional, please ignore if you don't have it.

D-2



x 26

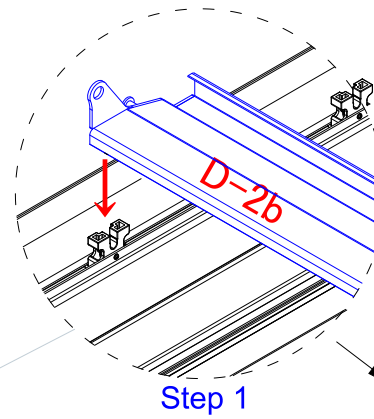
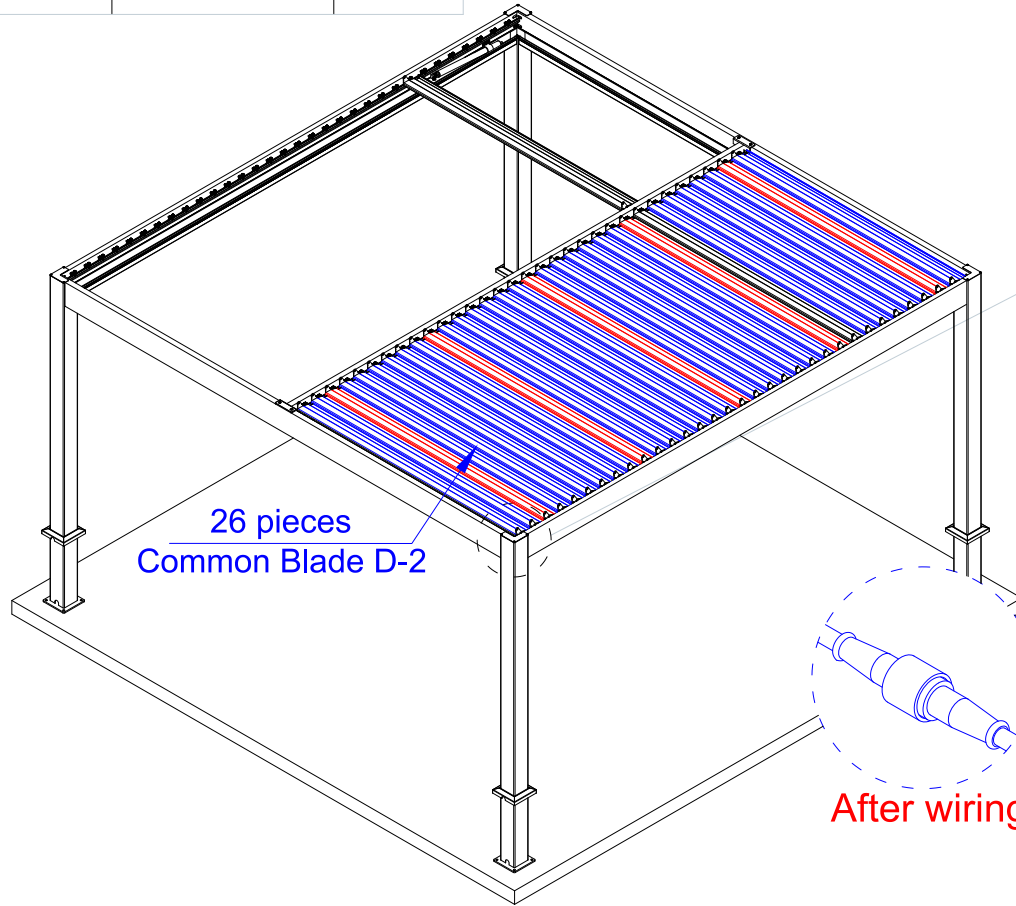
Installing Louvre Blades

3) As shown, the Common Blade D-2 clicks directly into the groove.

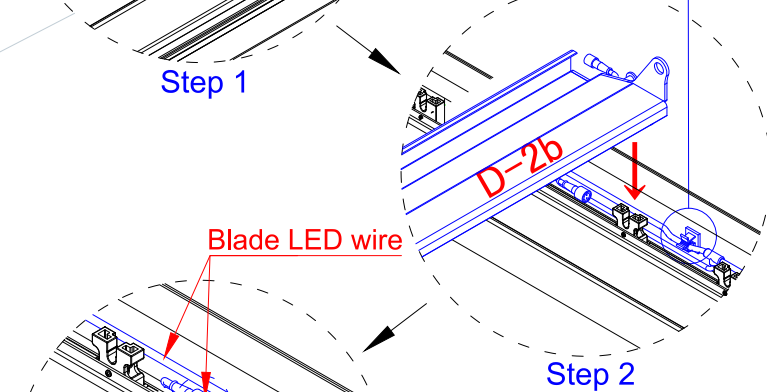
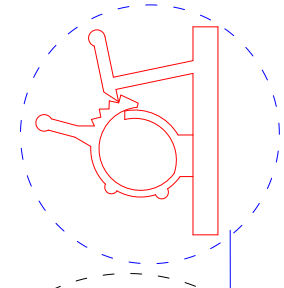
D-2b



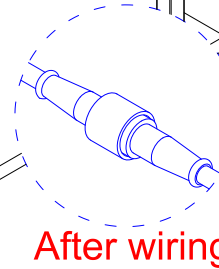
x 5



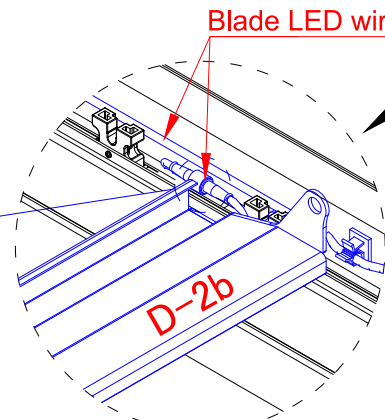
Step 1



Step 2



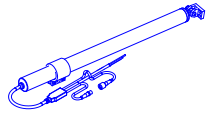
After wiring



Step 3

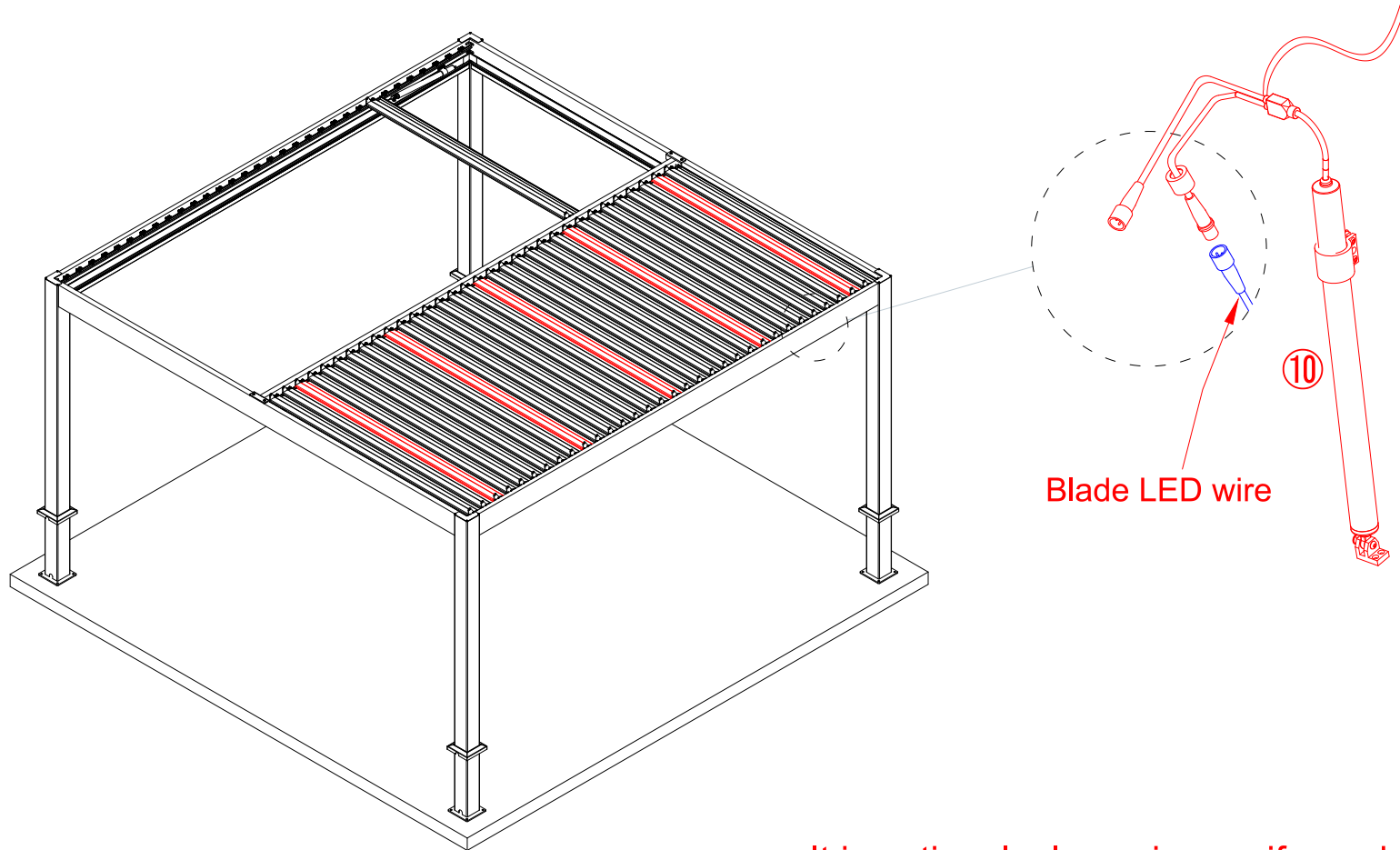
Red is LED Light Blade, please substitute for Common Blade if you don't have it.

10



X 1

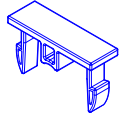
Installing Louvre Blades
4).Connecting Blade LED wire and Motor wire.



Blade LED wire

It is optional, please ignore if you don't have it.

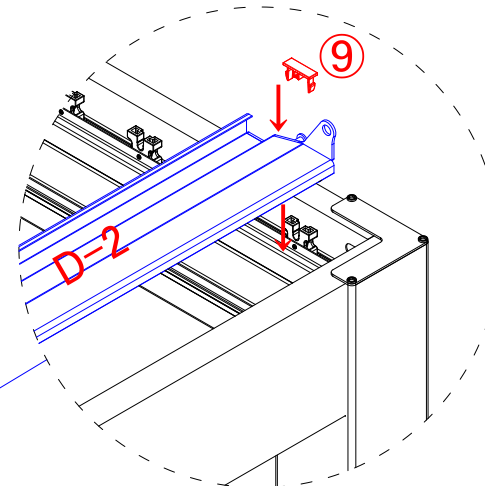
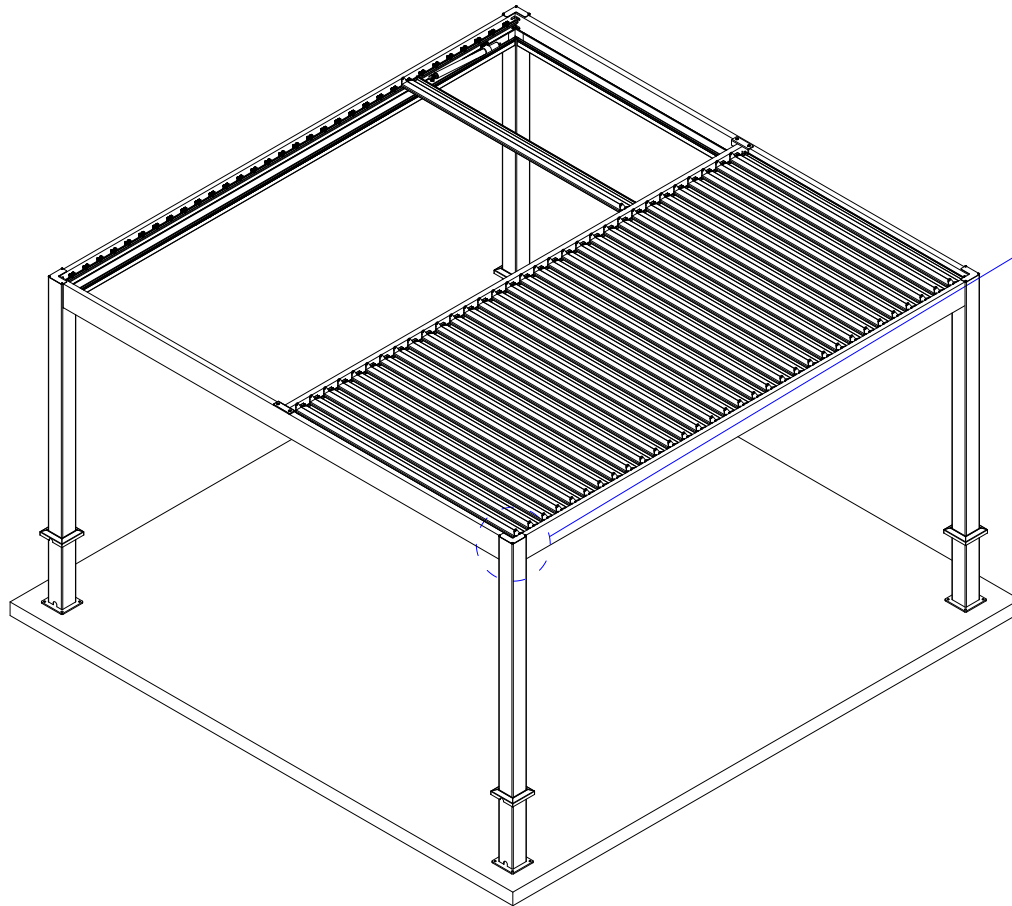
9



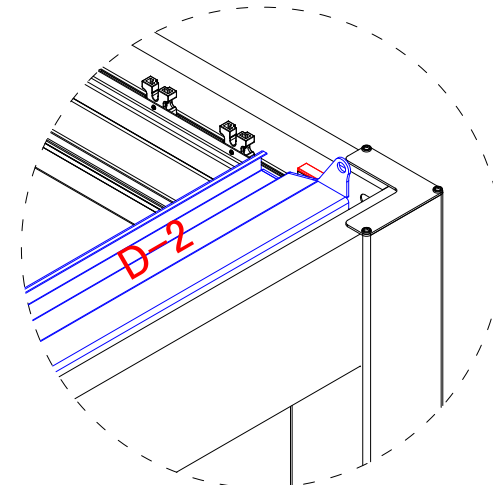
x 64

Installing Louvre Blades

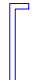


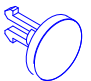


5) Then use the upper clip 9 to buckle the lower clip.



Step 1



Step 2

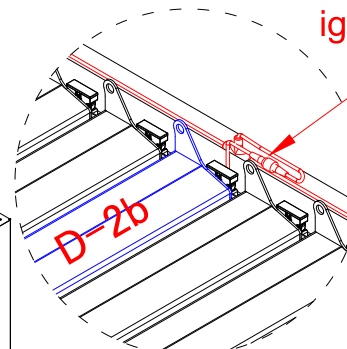
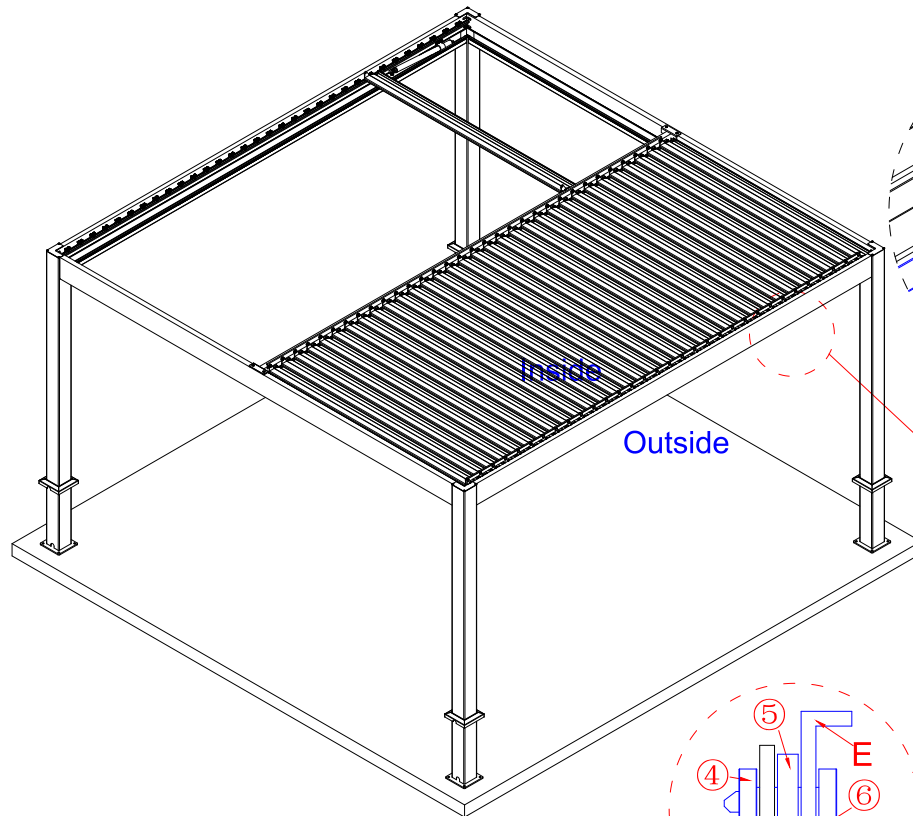
E		x 2	⑤		x64
④		x64	⑥		x64
⑯		x 5	F		x 1

Installing Louvre Blades

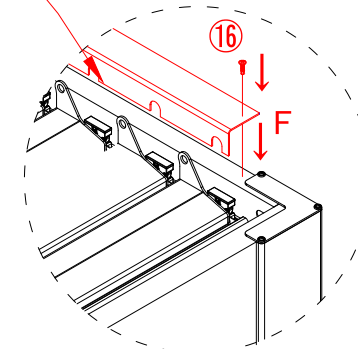
6) Assemble the light strip wires with light louvers and hide them in the Wires Channel Cover Plate, and then fix Beam Flap with 8 ST4.2 x 25 Self-Tapping Screw.

7) As shown in the figure, use Cap clips to pass through the Blade cover, Gasket Plastic Spacer and transmission rod, and then use Plastic Spacer to fasten them (the connection sequence is Cap clips -- Blade cover--Gasket Plastic Spacer -- Control Rod -- Clips).

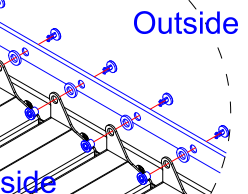
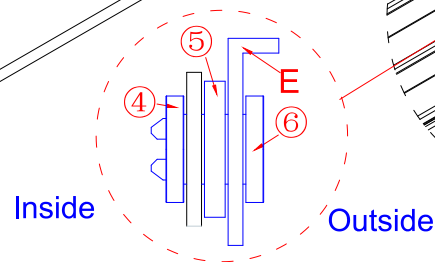
It is optional, please ignore if you don't have it.



Step 1




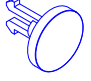
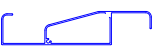

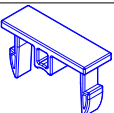




Step 2



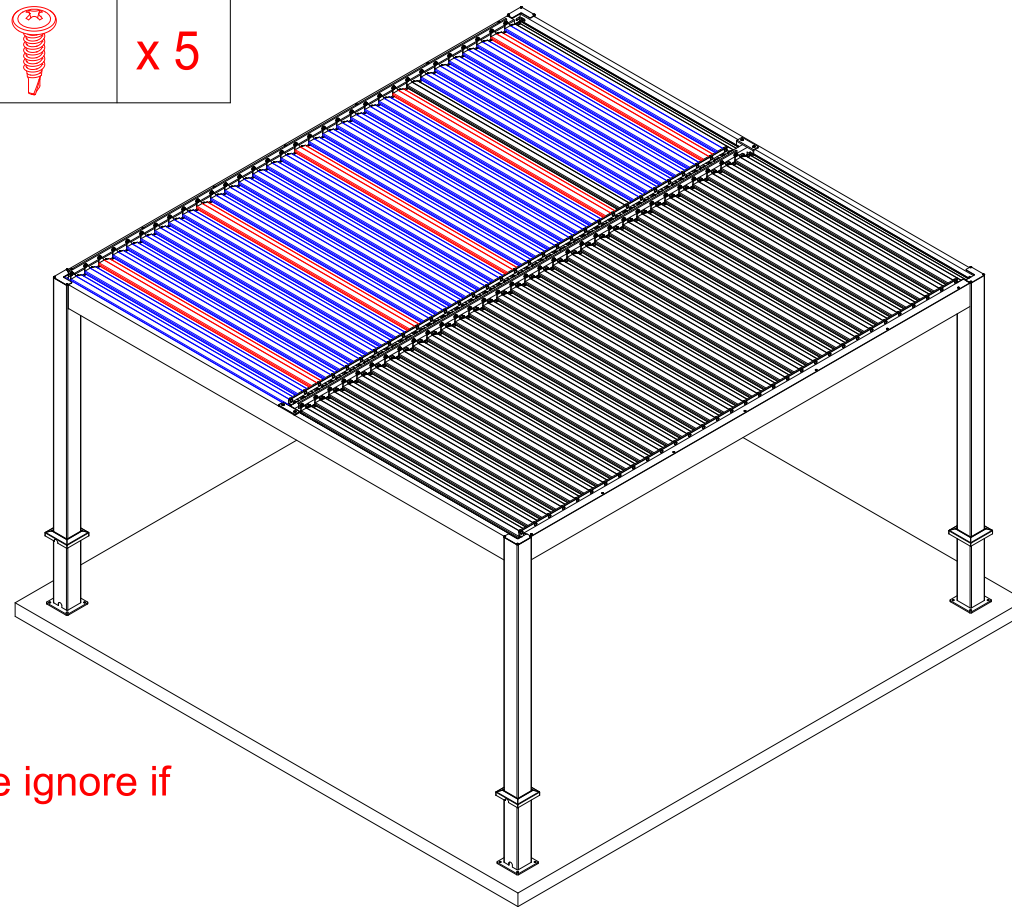
Step 4

Step 3

E		x 2	⑤		x 64
④		x 64	⑥		x 64
D-2		x 26	D-2b		x 5
⑨		x 64	⑩		x 5
F		x 1			

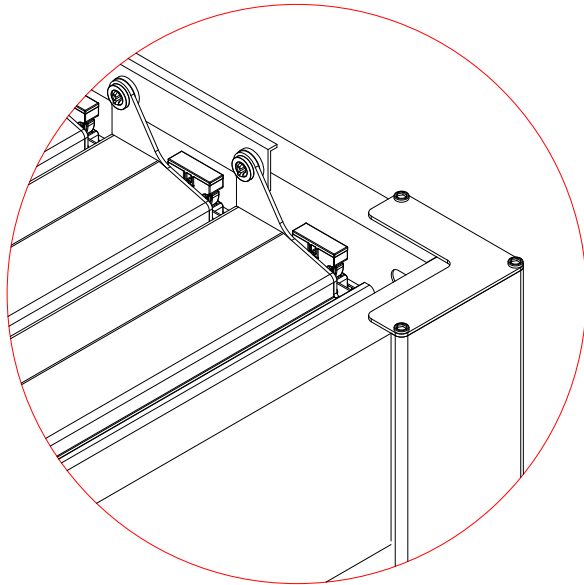
Installing Louvre Blades

8) Install the remaining blades and Control Rod in sequence following steps 3-7(To facilitate subsequent installation, it is recommended that the drive rod be installed at the same time as the blades.)

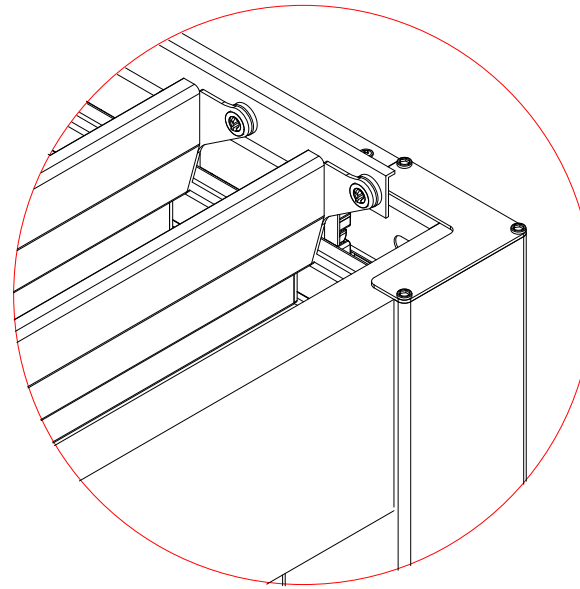


Red is optional, please ignore if you don't have it.

The installation is complete

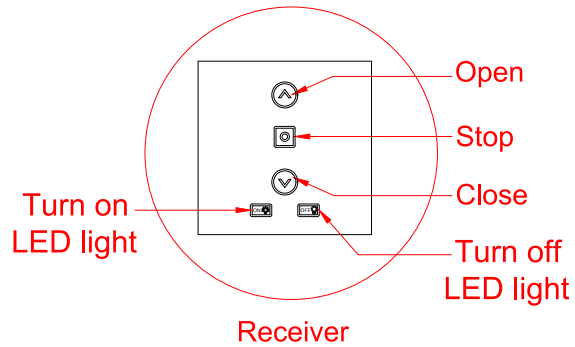
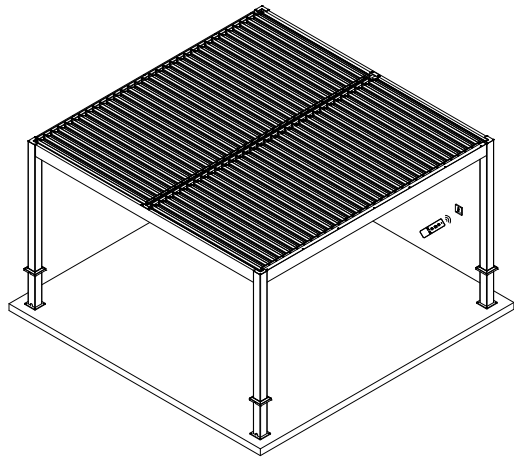


Closing

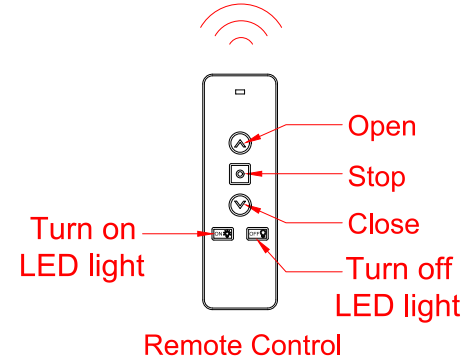


Opening



Appuyez longuement sur le bouton ON pour régler la luminosité de la bande lumineuse



Receiver

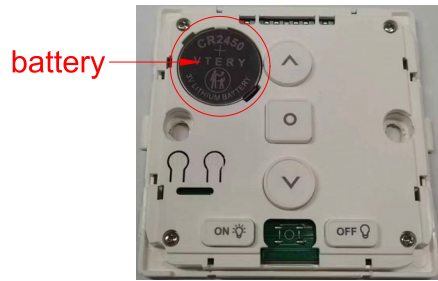


Remote Control

⑪		x 1
⑫		x 1

We have set up the programming before shipping, if you found the receiver can not control the motor, please follow the steps below to get it programmed:

Step 1: If the battery of the wireless receiver and the remote control are not working; you can press the remote control or the receiver to see if the light is on, sometimes even if the light is on, the battery runs out and signal cannot be sent. At this point, you need to replace the battery for the wireless receiver and remote control.



Receiver



Remote Control

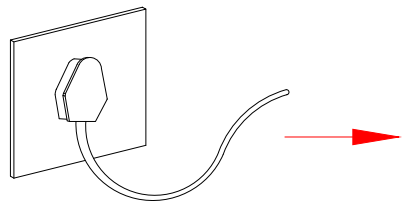
Step 2: If the battery of the wireless receiver and the remote control are in good condition, please turn off the power, and then turn on the power. If you can hear two beeps of the motor, it means that the power supply of the motor is normal, and you can proceed to the next step.

11

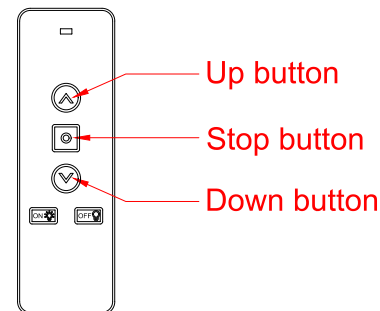


x 1

We have set up the programming before shipping, if you found the receiver can not control the motor, please follow the steps below to get it programmed:



Remote Control



Remote Control

Step 3: Please cut off the power and reconnect the power, then please start the following steps within 30 seconds.
Learning code: Open the back cover of the remote control, press the "U2" button on the back of the remote control for 7 seconds. When the motor makes "a" sound, press the "Stop" button on the remote control for 5 seconds, the sound of the motor ends and the learning code is successfully.

(Deleting code : Open the back cover of the remote control, press the "U2" button on the back of the remote control for 7 seconds. When the motor makes "a" sound, press the "Down" button on the remote control for 5 seconds, the sound of the motor ends and the deleting code is successfully.)

Caring for Your Pergola

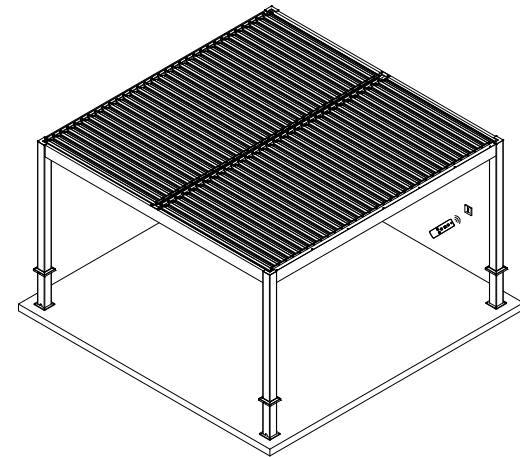
Structure surfaces coated with thermosetting powder coatings must be cleaned once a year to maintain their original aesthetic appearance.

Thermosetting powders are sensitive to:

- Physical friction, hard impact, extrusion, chemicals including alkaline solvent and acidic solvent.
- Natural elements such as wind, rain, snow, and prolonged sunlight. The exterior of the pergola may deteriorate over time and this will not be covered under warranty.

Cleaning Your Pergola

- Do not use scouring pad, cream cleaner, abrasive sponge, iron wire ball or coloured cloths.
- Recommended: Soft sponge, soft sand-free cloth, cotton wool, cotton or non-woven paper (white only).
- Do not use corrosive products such as acidic or alkaline cleaners. It is recommended to wash with neutral pH detergent water and then wipe it with a cloth to keep it dry.
- When cleaning with high-pressure equipment, the same precautions must be taken as when cleaning the car body: distance, nozzle type, water temperature and pressure should all be considered.



Use Reminder

- After the installation is complete, check that the screws are tight. Remember to check the screws at least once per year.
- **In an instance where snowfall, hail or strong winds greater than 80km/h are predicted, it is recommended to open the louvre blades. Do not operate the blades in the event of frost or snow. Please remove the blades from the pergola when the snow is abundant.**
- Regularly check the sealing conditions to ensure that the seals or other components do not leak.
- Regularly clean up debris such as fallen leaves on pergola to prevent blockage of the drain.
- Restrictions on use: Watertight systems, although effective, are not designed to ensure complete waterproofing. Heavy rain and strong winds may damage the pergola. Any damage incurred will not be covered under warranty.